

Servitecsa

SERVICIOS INDUSTRIALES TECNICOS SOCIEDAD ANONIMA

Tel: +502 2339-6484

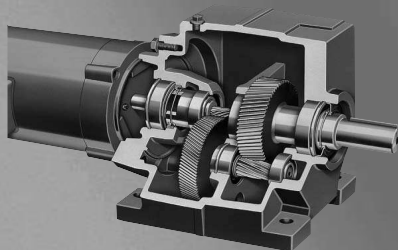
info@servitecsa.com.gt

www.servitecsa.com.gt

14 Avenida A 10-30 zona 13

Guatemala, Guatemala

FALK POWERED
FALK POWERED
FALK POWERED

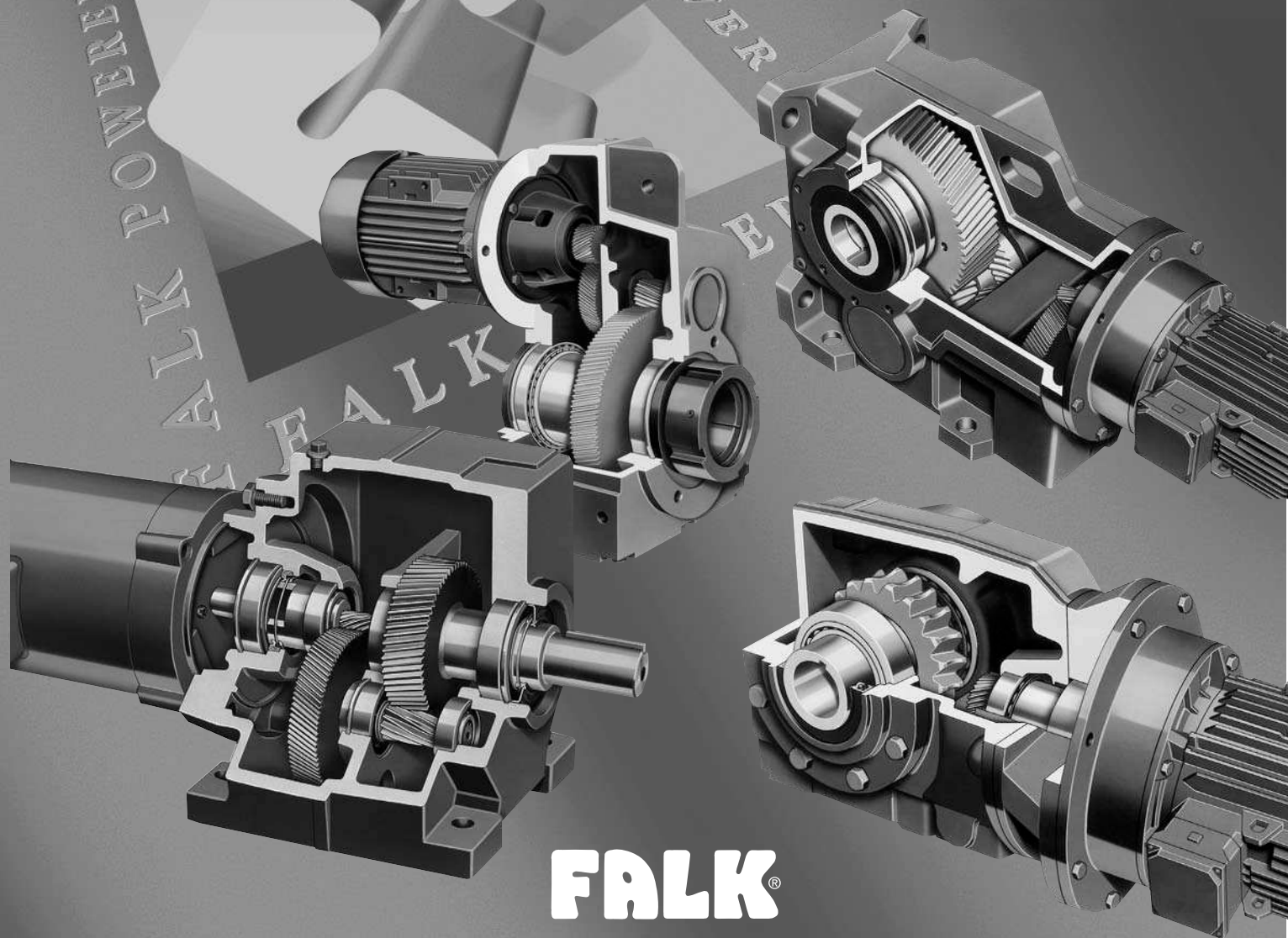


FALK[®]

REXNORD
PRECISION. POWER. PERFORMANCE.

ULTRAMITE®

Delivering the right punch for productivity



FALK®

FALK ULTRAMITE®

Delivers local availability, NEMA/IEC compatibility plus drop-in replacement

It's a winning combination. Start with a compact size that's the perfect fit for the .19KW/.25HP through 37KW/100HP power range. You can choose a standard plug-in high-efficiency NEMA/IEC motor from stock for an easy bolt-up mounting to the gear drive. Add positive torque transfer without corrosion or fretting, energy efficiency over worm gear drives and quick availability no matter where you're located – and you've got the Falk Ultramite, a genuine contender in the fight for increased factory floor productivity.

What's more, the Ultramite is backed up by Falk, a global leader in the gear drive and coupling industry. It's got the right size, the right statistics and the right name.

The Ultramite – it delivers just the right punch.

Falk Ultramite UC Helical Concentric

- 7 sizes
- .19KW to 37KW (1/4 hp to 100 hp) capacity
- Ratios from 1.4:1 up to 16,000:1
- C-face and solid inputs, inch or metric
- Base and flange mounted designs
- Horizontal or vertical mounting

Like all Ultramite designs, the UC Concentric offers superior efficiency to traditional worm gears, in an affordable, modular package. This basic Ultramite design is ideal for any applications that call for a readily available, low-cost gear drive in the low to medium capacity range.

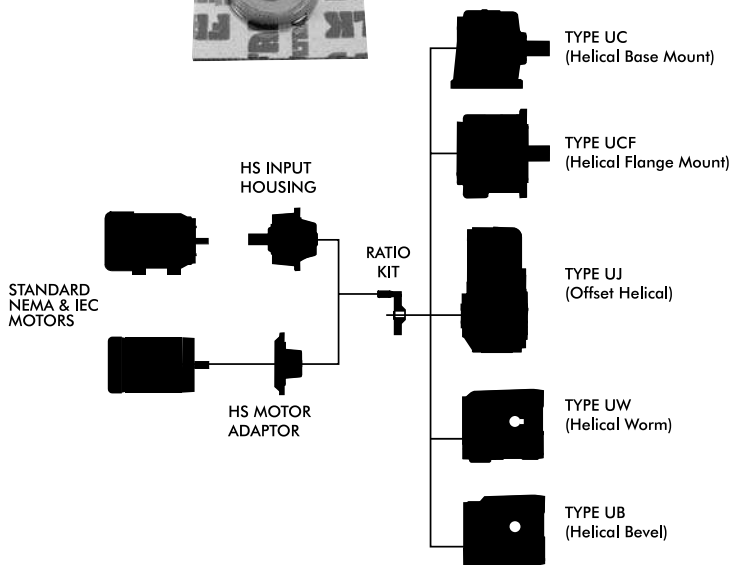
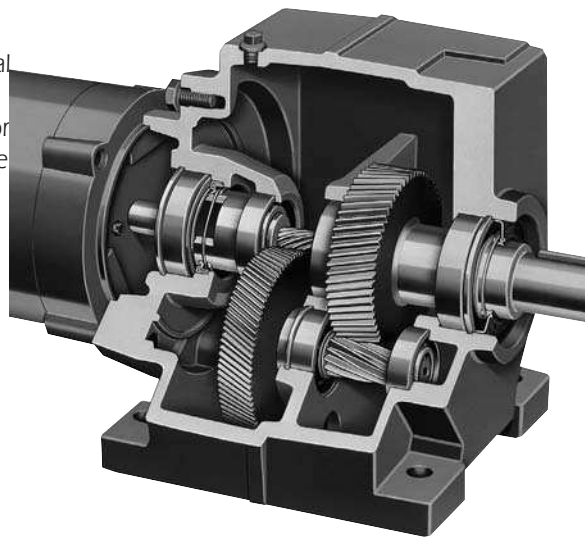
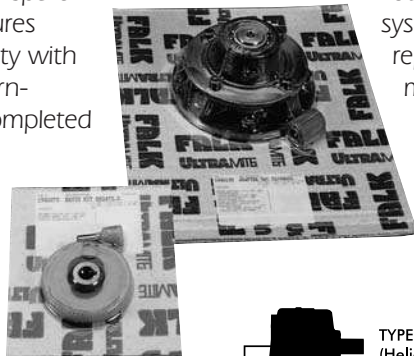
Local availability

The Ultramite product line is assembled from a family of convenient, cost-saving kitted sub-assemblies. The Ultramite sub-assembly kits are stocked at Falk facilities and distributors, offering a wide range of sizes, ratios and types for assembly. This totally modular approach to your complete gear drive and spare parts requirements ensures maximum local availability with the quickest possible turn-around times. In fact, completed assemblies can be available within hours.

Customer preferred motors

The Ultramite accepts standard, off-the-shelf NEMA/IEC C-face and flange mounted motors, permitting the use of customer-preferred motor brands. The Ultramite accommodates industry-standard frame sizes and the choice of motor manufacturer and specifications is up to you, without costly

motor adapter systems and special replacement motors – ideal for use with variable speed motors and drives.



Falk Ultramite UW Right-Angle Helical Worm

- 8 sizes
- .19KW to 37KW (1/4 hp to 100 hp) capacity
- Ratios from 8:1 through 60,000:1
- C-face and solid inputs, inch or metric
- Base, shaft, or flange mounted designs
- Solid or hollow outputs with TA Taper® bushings (exclusive lifetime removal guarantee)
- Horizontal or vertical mounting

While still offering superior efficiency to traditional worm gears, this design is the lowest-cost right-angle solution in the Ultramite family. Helical, high-speed gearing and durable, long-lasting performance make it ideal wherever an affordable, low horsepower right-angle drive is required.

Falk Ultramite UJ Shaft-Mounted Offset Helical

- 6 sizes
- .19KW to .30 KW (1/4 hp to 100 hp) capacity
- Ratios from 5:1 to 20,000:1
- C-face inputs provide convenient, beltless packages
- Base, shaft, or flange mounted designs
- Shaft-mounted designs utilize Falk's unique TA Taper® bushing
- CEMA screw conveyor design
- Horizontal or vertical mounting

This clean, compact package is perfect wherever shaft mounting is desired, but V-belts aren't. The UJ also features our TA bushing (exclusive lifetime removal guarantee), which allows easy, positive removal... even after years of rugged service.

Falk Ultramite UB Right-Angle Helical Bevel

- 9 sizes
- .19KW to 37KW (1/4 hp to 150 hp) capacity
- Ratios from 8:1 through 10,000:1
- C-face and solid inputs, inch or metric
- Solid or hollow outputs with TA Taper® bushings (exclusive lifetime removal guarantee)
- Base, shaft, or flange mounted designs
- Horizontal or vertical mounting

For maximum efficiency in a right-angle drive, select the UB. Helical and bevel gearing throughout makes this the most energy efficient Ultramite right-angle. It's a level of performance efficiency traditional worm gears simply cannot match.



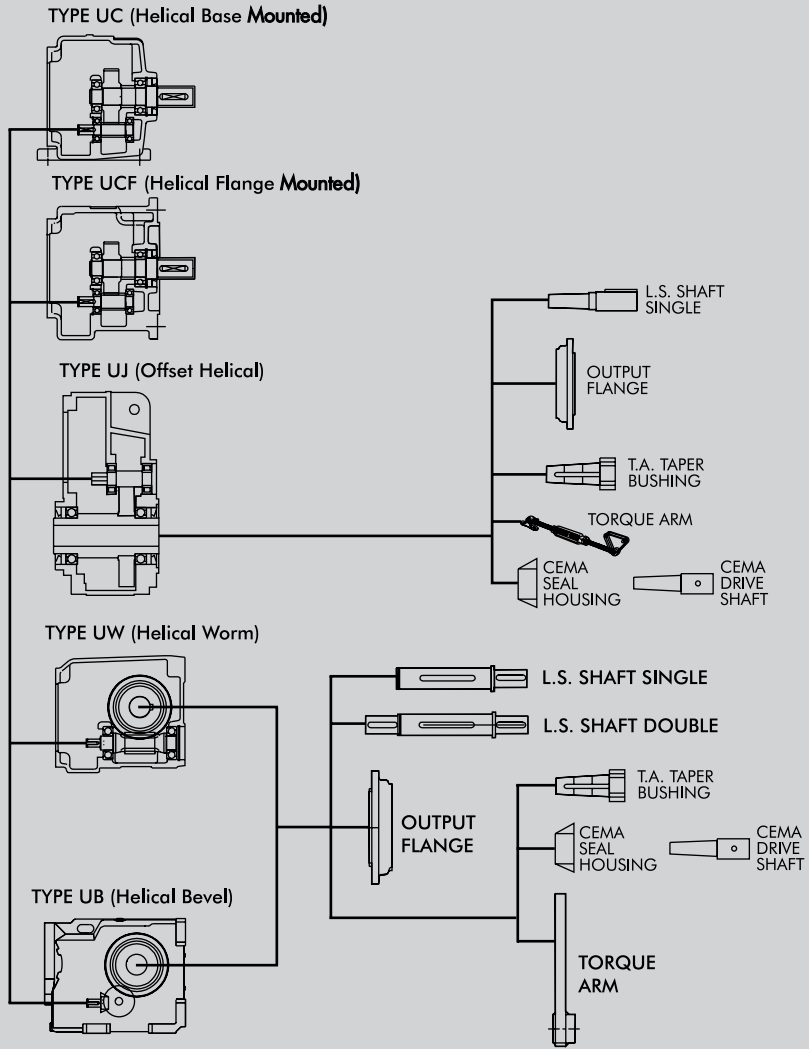


Patented bushing

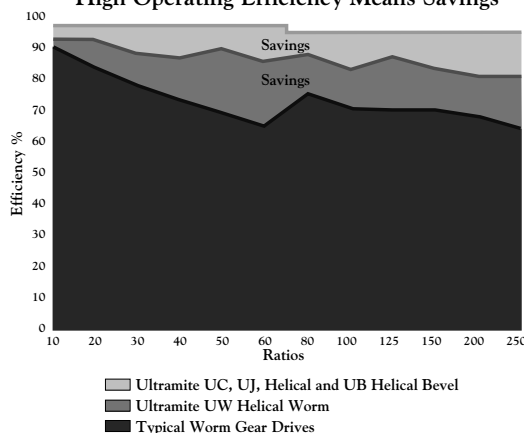
An innovative motor bushing eliminates fretting between motor and gear drive and delivers positive torque transfer. This patented design offers easy installation and allows quick, trouble-free changeout even after years of hard, continuous use.

Application flexibility

The modular design of the entire Ultramite product line allows accessories to be quickly and easily fitted to the drive, delivering the versatility and flexibility needed for maximum application coverage. All four designs accommodate single or double solid output shafts. Additional accessories combined with other Falk products, provide the ideal system match for your specific application.

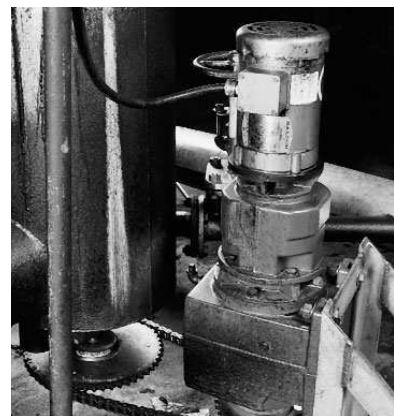


Ultramite vs. Worm Gear Drives High Operating Efficiency Means Savings



Cost savings

Ultramite drives are more efficient than worm gearing. As a result, a smaller motor may be used at times in comparable selections, providing the customer both initial and long-term savings over worm gear drives.



Selection Guide 281-410, August 2004

Table of Contents

Basic Information & Conditions Affecting Selection	5 & 6
Drive Nomenclature	7
How to Select & Order	8 & 9
Service Factors	10 & 11
Exact Ratios	12
Drive & Motor Mounting Positions	13
Relative Shaft Rotations	13
Output Shaft Options	14
Motor Details	15
Motor Adapter Symbols	16 & 17
Gearmotor Selection Tables, LSS OHL & Part Numbers	18 - 39
Gear Drive Overhung Loads	46 & 47
Thrust Loads	47
Moments of Inertia (WR^2)	48
Gear Drive Horsepower & Torque Tables	49-52
Gear Drive Thermal Horsepower Ratings	53
Gear Drive Part Numbers	54-57
Component Part Numbers	62 - 67
Drive Hold Down Bolts	67
Approximate Shipping Weights	68
Headquarters & Global Sales Offices	70

Dimensions

Gearmotor Basic Drive	40-43
TA Taper Bushing	44 & 45
Basic Gear Drive	58 - 61
Components & Accessories	62 - 67

Basic Information

Safety Notes

Falk Gear Drives — The Falk name on the gear drive is the purchaser's assurance that the drive was engineered, rated and manufactured to sound design practices.

When one prime mover drives two pieces of equipment, one of which is either a standard Falk geared drive or a customer standard geared drive, the division of power between each machine is the responsibility of the customer. The power supplied to the geared drive must be equal to or less than the power for which the drive was selected using the appropriate service factor for the application. The customer must also assume the responsibility of isolating the gear drive from any vibratory or transient load induced by the driven equipment.

Install and operate Falk products in conformance with applicable local and national safety codes and per Falk installation manuals which are shipped with gear drives and are also available upon request. Suitable guards for rotating members may be purchased from Falk as optional accessories. Consult your local Falk Representative for complete details.

People Conveying Equipment — Selection of Falk products for applications whose primary purpose is the transportation of people is not approved. This includes such applications as freight or passenger elevators, escalators, man lifts, work lift platforms and ski tows and ski lifts.

If the primary purpose of the application is material conveyance and occasionally people are transported, the Falk warranty may remain in effect provided the design load conditions are not exceeded and certification to the appropriate safety codes and load conditions has been obtained by the system designer or end user from the appropriate enforcement authorities.

Gear Drive Ratings — All gear drive ratings in this bulletin allow 100% overload for starting loads and momentary overloads for electric motor driven applications operating 10 hours per day under uniform conditions. For other conditions, compute an equivalent horsepower by multiplying the actual horsepower required for the application by the appropriate Service Factor.

Gear Drive Identification — Tables in this selection guide identify gear drives based on the drive nomenclature.

Horsepower & Torque/Gearmotor Drives — Gearmotor Drive mechanical horsepower and delivered torque ratings are tabulated only at 1750 rpm. Horsepower, output torque, and LSS OHL ratings for Gearmotor Drives do not always correspond to those of the comparable Inline Gear Drive of the same size, reduction, and ratio. In selected cases the Gearmotor Drive will have more rating than the corresponding Inline Gear Drive. When additional rating for Gearmotor Drives at 1750 rpm input is available, it will be as stated in the Gearmotor Drive Selection Tables. For Gearmotor Drive ratings at input speeds other than 1750 rpm, consult Falk.

Horsepower & Torque/Gear Drives — Gear Drive mechanical horsepower and output torque ratings are tabulated in the Selection Guide to permit selections for specific application requirements. When the required input speed falls between two tabulated input speeds of a specific drive designation (size, reduction and ratio), interpolate to determine drive rating.

Lubricants — Drive Sizes 03, 04, 05, 06 & 07UB will be supplied filled with a quantity of EP mineral oil suitable for the drive mounting position specified at the time of the order.

Drive Sizes 08, 09, 10 & 12UB are supplied without lubricant. The appropriate fill quantities and lubricant recommendations are stated in Manual 288-400.

Stored & Inactive Gear Drives — Each gear drive is protected with rust preventive that will protect parts against rust for a period of 6 months in an indoor dry shelter.

Sizes 03 thru 12UB — If a gear drive is to be stored, or is inactive after installation beyond the above periods, drain oil from housing and spray all internal parts with a rust preventive oil that is soluble in lubricating oil or add "Motorstor"™ vapor phase rust inhibitor at the rate of one ounce per cubic foot of internal drive space (or 5% of sump capacity) and rotate the shafts several times by hand. Before operating, drives which have been stored or inactive must be filled to the proper level with oil meeting the specifications given in Manual 288-400. Refer to Manual 128-014 for "Start-up after Storage" instructions.

Periodically inspect stored or inactive gear drives and spray or add rust inhibitor every six months, or more often if necessary. Indoor dry storage is recommended.

Gear drives ordered for extended storage can be treated at the Factory with a special preservative and sealed to rust-proof parts for periods longer than those cited previously.

Falk Factory Warranty — Falk products generally carry a limited, one-year warranty against defects in materials or workmanship; but for an actual statement of the Falk Factory Warranty, ask your local Representative or Falk Distributor for our Standard Conditions of Sale.

Conditions Affecting Selections

Non-Standard Application Procedures

The following conditions may affect the gear drive selection procedure, drive size and auxiliary equipment being furnished.

Excessive Overloads — The maximum momentary or starting load must not exceed 200% of rated load (100% overload). Rated load is defined as gear drive rating with a Service Factor of 1.0. If the maximum starting or momentary load exceeds the above conditions, compute a second equivalent horsepower by dividing the peak load by two. The gear drive selected must have capacity equal to, or in excess of, the larger equivalent horsepower.

Reversing Service — Applications involving either more than 20 reversals per 10 hour period, or less than 20 reversals per 10 hour period with peak torques greater than 200% of normal load must be referred to Falk.

Stop and Start Service — Applications involving frequent stop and start overloads in excess of 10 times per day must be referred to Falk.

Brake Equipped Applications — When a gear drive is equipped with a “working” brake that is used to decelerate the motion of the system and the brake is located between the prime mover and the gear drive or on the rear of the motor, select the drive based on the brake rating or the highest equivalent horsepower, whichever is greater. If the brake is used for holding only and is applied after the motion of the system has come to rest, the brake rating must be less than 200% of the catalog rating, refer the application to Falk. Also refer to Falk all applications in which the brake is located on the output shaft of the gear drive.

Oversize Prime Mover — Published Service Factors do not cover applications that require oversize prime movers for high energy or peak loads. Refer such applications to Falk for selection of suitable drives.

Speed Variation — Gear drives offered in this Selection Guide are designed to operate with splash lubrication at all speeds for which they are catalogued, provided the appropriate amount of lubricant is present based on the drive mounting position (Refer to Manual 288-400 for oil quantity associated with each gear drive mounting position). Variation of speed between cataloged speeds, or at speeds falling between cataloged speeds, is permissible.

Lubrication of Sizes 03, 04, 05, 06 & 07UB — These sizes are furnished filled with a quantity of oil. Quantity of oil furnished is based on the customer identified drive mounting position stated at the time of order. Standard drive mounting positions are shown in this selection guide. Sizes 03, 04 & 05 have no oil fill plug, oil drain plug, or vent plug. Standard oil furnished with the gear drive is a petroleum based extreme pressure lubricant conforming to AGMA Viscosity Grade 6EP, ISO Viscosity Grade 320, and no further lubrication of the gear drive is required.

Lubrication of Sizes 08, 09, 10 & 12UB — These sizes are furnished without oil. Customer oil fill is required. They are furnished with oil fill plug, oil drain plug, and vent plug. Lubricant quantity lubricant specifications, location of plugs, and recommended oil change frequency are stated in the Installation & Maintenance Guide 288-400.

Variable or Multi-Speed Applications – All Types

When selecting gear drives for multi-speed or variable speed application, determine the speed which develops the greatest torque and select the drive on this basis. If the speed is not listed in the selection table, use the next lower speed.

Effects of Solar Energy — If a drive operates in the sun at ambient temperatures over 100°F, then special measures must be taken to protect the drive from solar energy. This protection can consist of a canopy over the drive or reflective paint on the drive. If neither is possible, a heat exchanger or other cooling device may be required.

Overhung Loads and Thrust Loads — The overhung load and thrust load ratings published in this bulletin are based on a combination of the most unfavorable conditions of rotation, speed, direction of applied load and drive loading. If the calculated load exceeds the published value, or if an overhung load and thrust load are applied simultaneously to a shaft, refer complete application information to Falk.

Non-Standard Mounting Positions — For non-standard mounting positions (other than those shown in this Selection Guide) refer to Falk for lubricant level and quantity.

Double Seal Option — Certain applications may dictate the use of double seals. This option, provided at an additional charge, is furnished as follows:

Gearmotors — A double seal is available only at the low speed shaft.

Inline Drives — A double seal is furnished at both the high speed and low speed shafts.

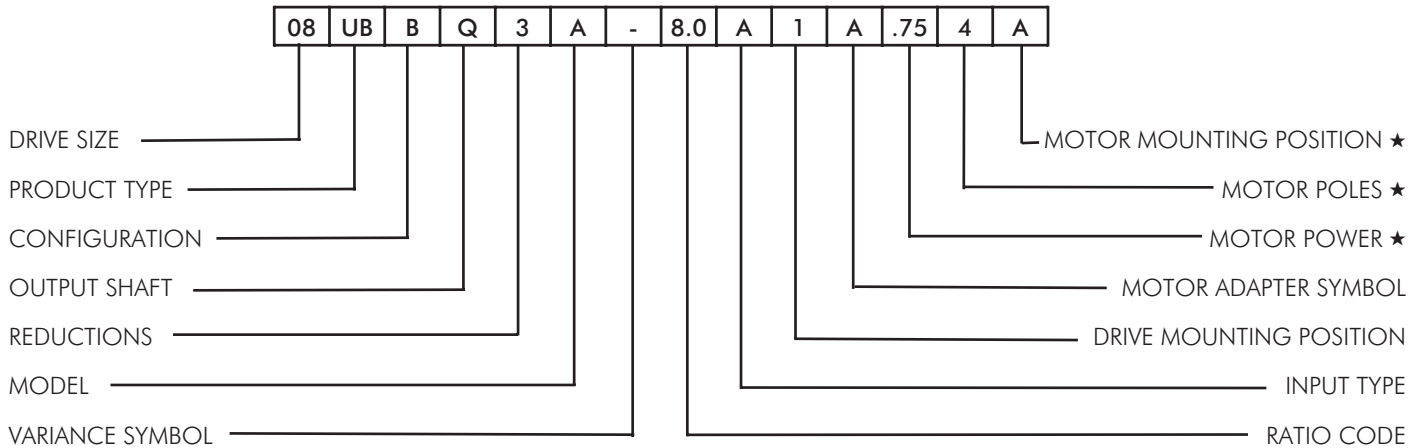
General Information

- Falk standards apply unless otherwise specified.
- All dimensions are for reference only and are subject to change without notice unless certified.
- H.S. Shaft or HSS = High Speed Shaft.
- L.S. Shaft or LSS = Low Speed Shaft.

Reference Notes

- ★ Dimensions are for reference only and will vary with motor manufacturer.
- † For higher ratio selections, consult Falk. Check thermal input hp ratings. Selection tables are based on mechanical input hp ratings only.

UB – Drive Nomenclature



Drive Sizes

03, 04, 05, 06, 07, 08, 09, 10 & 12

Product Type

UB — Helical Bevel

Configuration

B — Base Mounted (Integral Feet)
 D — End Mounted Feet (Integral Feet)
 F — Standard Output Flange
 J — With Torque Arm Bracket
 K — With Banjo Torque Arm

Output Shaft

Q — Inch Hollow
 B — Inch Single Ended, L.H. ‡
 C — Inch Single Ended, R.H. ‡
 D — Inch Double Ended
 E — Straight Metric Hollow
 F — Metric Single Ended, L.H. ‡
 G — Metric Single Ended, R.H. ‡
 H — Metric Double Ended
 J — Taper Hollow
 K — Taper Inch Single Ended, L.H. ‡
 L — Taper Metric Single Ended, R.H. ‡
 M — TA Taper Metric bushing (Bore Diameter)
 N — TA Taper Inch Bushing (Bore Diameter)
 P — CEMA Seal Housing & Drive Shaft (DS Diameters)
 R — Straight Hollow Bore with Shrink Disc

‡ When viewed from L.S. end.

Reductions

3 — Triple
 5 — Quintuple

Model

A, B, C, etc.

Variance Symbol

Variance Symbol is omitted when Standard Mineral Lube and Single Seals are specified

A — Standard Mineral Lube and Double Seals
 B — Synthetic Lube and Single Seals
 C — Biodegradeable Lube and Single Seals
 D — Food Compatible Lube and Single Seals
 E — Synthetic Lube with Double Seals
 F — Biodegradeable Compatible Lube With double Seals
 G — Food Compatible Lube With Double Seals
 H — Backstop (Hold Back)
 J — Cooling Fan - Shaft Driven
 S — Multiple Variances or Special

Ratio Code, Three Characters, Refer to Page 12

8.0 through 160 Triple Reduction
 125 through 71C Quintuple Reduction C = 00 K = 000

Input Type

A — Gear Drive With Flange Motor Adapter - NEMA Frame
 G — Gear Drive With Flange Motor Adapter - IEC Frame
 N — Gear Drive With Inch Input
 C — Gear Drive With Metric Input
 R — Gear Drive With Flange Motor Adapter - Special Motors

Drive Mounting Position, Refer to Page 13

Mounting Positions 1 through 6

Motor Adapter Symbol, Refer to Pages 16 & 17

A through W

Motor Power, Decimal Point Shown ★

Horsepower – NEMA Motor
 Kilowatts – IEC Motor

Motor Poles ★

2 — Poles, 3600 rpm @ 60 Hz, or 3000 rpm @ 50 Hz
 4 — Poles, 1800 rpm @ 60 Hz, or 1500 rpm @ 50 Hz
 6 — Poles, 1200 rpm @ 60 Hz, or 1000 rpm @ 50 Hz
 8 — Poles, 900 rpm @ 60 Hz, or 750 rpm @ 50 Hz

Motor Mounting Position, Refer to Page 13 ★

When Viewed from L.S. Shaft of Base Mounted Drive with Mounting Feet Down

A — Conduit Box Horizontal on Right Side, 0°
 B — Conduit Box Vertical on Bottom Side, 90°
 C — Conduit Box Horizontal on Left Side, 180°
 D — Conduit Box Vertical on Top Side of Drive 270°

★ Motor Power, Motor Poles and Motor Mounting Position are stamped on the nameplate only if the motor is furnished & fitted by Falk.

UB – How to Select & Order Gearmotors

Before making any selections, refer to the Basic Information and Conditions Affecting Selections on Pages 5 and 6.

Selection of Helical Bevel Gearmotors

1. Determine Service Factor — See Pages 10 & 11.
2. Determine Motor Horsepower.
3. Determine Gearmotor Output Speed and Ratio.
4. Gearmotor Selection tables are included on Pages 18 through 39. These tables assume a motor base speed of 1750 rpm. For ratings at other motor base speeds, consult your authorized Falk Sales Representative.
Go to the page that contains selections based on the specific C– Face motor you will be using. For example, selections for 5 hp, 1750 rpm, 184TC frame motors are tabulated on Pages 29 & 30.

Starting at the top of the first selection page pertinent to your motor requirement, move down the selections until a gearmotor meeting your output speed, ratio, reduction, and service factor requirements is located.

For example consider an application with a 5 hp, 1750 rpm/184TC frame motor, output speed of 43 rpm, nominal ratio of 40:1, and a required service factor of 2.00.

Pages 29 & 30 contains selections for a 5 hp, 1750 rpm/184TC frame motor.

The Gearmotor 08UBAQ3A40.A_C has an output speed of 43 rpm, exact ratio of 40.36:1, triple reduction, and a service factor of 3.33 which meets our requirements.

Choose your required configuration, foot or shaft mounted, and record the full nomenclature & part number of the basic drive and any required accessories.

5. Check Overhung Load — The gearmotor selection tables provide the low speed shaft overhung capacity of the gearmotor selected. If overhung load is present, calculate the value of the overhung load per instructions on Page 46. Sprockets or other devices mounted on the output shaft of the gearmotor should be sized and positioned so the gearmotor overhung load capacities are not exceeded. Should applied overhung loads exceed the capacity of the initial gearmotor selected, a larger gearmotor of adequate capacity must be selected.
6. Check External Thrust Load — Permissible thrust loads are provided on Page 47. If thrust and overhung loads are applied simultaneously, or if loads exceed stated thrust capacities, consult your authorized Falk Sales Representative.
7. Check Gearmotor Dimensions — Page 40.
8. When ordering, provide the gear drive mounting position from Page 13. If a mounted motor is ordered, specify motor mounting position, also from Page 13.

Example

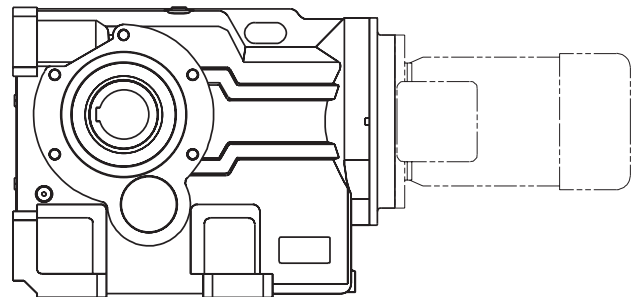
Application: Belt conveyor, heavy duty, head shaft speed is approximate 22 rpm, shaft mounted drive configuration is specified.

Duty Cycle: 16 hours per day.

Driver: 7 1/2 hp electric motor, 1750 rpm, 213TC frame.

Output: Conveyor head shaft diameter to suit gearmotor manufacturer standard hollow shaft.

1. Service Factor from Page 11 is 1.50.
2. Motor Horsepower is 7 1/2 hp.
3. From selection guide on Page 31, the appropriate gearmotor is the Size 09UBAQ3A80.A_D, part number 4762885, exact ratio 77.78:1, and a 2.00 service factor.
4. Check Overhung Load Capacity on Page 47 — For this example there is no overhung load.
5. Check External Thrust Load Capacity on Page 47 — For this example there is no external thrust.
6. Check Dimensions on Page 40.
7. Specify Drive Mounting Position and Motor Mounting Position (If Mounted Motor is Requested) from Page 13 — For our example, the gearmotor is mounted in drive mounting position #1, flat on the floor.
8. Add appropriate accessories. Our example requires a torque arm bracket to effect shaft mounting.



UB – How to Select & Order Gear Drives

Before making any selections, refer to the Basic Information and Conditions Affecting Selections on Pages 5 and 6.

Selection of Helical Bevel Gear Drives

1. Determine Service Factor — See Pages 10 & 11.
2. Determine Equivalent Horsepower — Calculate the equivalent hp by multiplying the motor hp by the service factor.
3. Determine Gear Drive Output Speed and Ratio.
4. Gear Drive Selection tables are included on Pages 49 through 52.

Go to the page that contains selections based on your required input speed of the gear drive. For example, selections based an input speed of 1750 rpm are shown on Page 50.

Locate the table containing your required ratio, reduction and low speed shaft rpm & select the drive size with a mechanical rating equal to or exceeding your equivalent horsepower requirement.

Having selected a Gear Drive size meeting your ratio, reduction, and equivalent hp requirements, obtain nomenclature, exact ratio and Falk part number from Pages 54 through 57. Part number selected will depend on your mounting configuration (base mount or flange mount).

5. Check Overhung Load — Table on Page 47 provides the overhung capacity of the Gear Drive selected. If overhung load is present, calculate the value of the overhung load per instructions on Page 46. Sprockets or other devices mounted on the output shaft of the gear drive should be sized and positioned so the gear drive overhung load capacities are not exceeded. If applied overhung loads exceed the capacity of the initial gear drive selected, a larger gear drive of adequate capacity must be selected.
6. Check External Thrust Load — Permissible thrust loads are provided on Page 47. If thrust and overhung loads are applied simultaneously, or if loads exceed stated thrust capacities, consult your authorized Falk Sales Representative.
7. Check Gear Drive Dimensions — Pages 58 through 61.
8. When ordering, provide the drive mounting position from Page 13.

Example

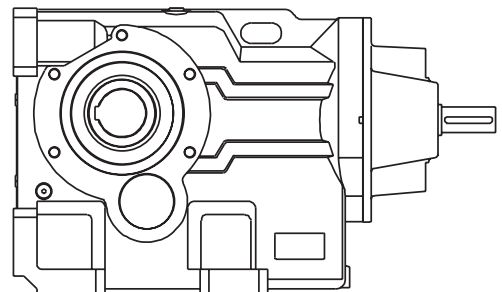
Application: Belt conveyor, heavy duty, head shaft speed is approximate 22 rpm, base mounted drive configuration is specified.

Duty Cycle: 16 hours per day.

Driver: 7 1/2 hp electric motor, 1750 rpm.

Output: Coupling connected to conveyor head shaft.

1. Service Factor from Page 11 is 1.50.
2. Equivalent Horsepower is $7.5 \times 1.5 = 11.25$ hp.
3. From selection guide on Page 50, the appropriate gear drive exceeding your required equivalent hp of 11.25 is the Size 09 with a rating of 12.4 hp.
Complete designation of the Gear Drive is obtained from Page 55 (09UBAQ3A80.N_, exact ratio 77.78:1, and part number 4762889).
4. Check Overhung Load Capacity on Page 47 — For this example, there is no overhung load.
5. Check External Thrust Load Capacity on Page 47 — For this example there is no external thrust.
6. Check Dimensions on Page 58.
7. Specify Gear Drive Mounting Position from Page 13 — For our example, the gear drive is mounted horizontal in mounting position #1.
8. Add appropriate accessories from Pages 62 through 67. Our example requires a single ended output shaft for coupling connection to the conveyor head shaft.



Service Factors

A gear drive is rated to a specified application by the use of Service Factors. Each application has its own conditions and operating requirements. These have been analyzed and catalogued. Numerical values, based on field experience, have been assigned to these classifications for intermittent service of 3 to 10 hours per day and for service over 10 hours per day and also for the type of prime mover . . . electric motor or engine. Values for most applications are listed by Application on Page 11, Table 3 and by Industry at right, Table 2.

Examples — A comparison of three different applications, each operating 16 hours per day, will illustrate the function of Service Factors: an Assembly Conveyor, uniformly loaded (SF = 1.25), a Belt Conveyor, heavy duty (SF = 1.50) and a Laundry Washer (SF = 2.00). If each of these applications

requires 10 hp, each drive is selected for a rating of 10 hp times the Service Factor — that is, for 12.5, 15 and 20 hp respectively. Thus, the Service Factor takes into consideration the varying conditions of operation: Laundry Washer service is relatively more severe than that of a uniformly loaded Assembly Conveyor, etc.

Since most industrial applications are electric motor driven, Service Factors are based on the use of electric motors. These factors can be easily converted to engine-drive factors as outlined in Table 1.

Service Factors are based on the assumption that the system is free of dynamic vibrations, as explained in the warranty section, and that maximum momentary or starting loads do not exceed 200% of the rated load.

Service Factors listed are recommended as minimum for general purpose use. Application of these service factors will result in normal drive reliability and life under typical operation conditions. Refer to Falk any application not listed in Tables 2 or 3.

Applications involving unusual operating conditions or requirements such as, but not limited to, the following should also be referred to the Falk:

- Applications requiring extended life/High reliability exceeding normal
- High frequency starting
- Stalling or other high energy load absorption
- Torsional vibrations
- Frequent speed variations
- Reversing loads
- Extremes in ambient temperature

Occasional & Intermittent Service or Engine Driven Applications

For multi-cylinder engine driven applications and all applications operating intermittently up to 3 hours per day, refer to Table 2 or 3 for the Service Factor of the same application operating 3 to 10 hours per day. Next, in the first column of Table 1, find this same Service Factor in bold face type. Then, to the right, under the desired hours service and prime mover, locate the converted Service Factor.

For example, from Table 3, the Service Factor is 1.25 for a uniformly loaded belt conveyor. From Table 1, for the same application the following are the Service Factors for various conditions.

1. Engine driven 3 to 10 hours per day; use 1.50 Service Factor.
2. Engine driven up to 3 hours intermittently; use 1.25 Service Factor.
3. Motor driven up to 3 hours intermittently; use 1.00 Service Factor.

TABLE 1 — Service factor conversions

Table 2 or 3 3 to 10 Hour Service Factor	3 to 10 Hours per Day		Over 10 Hours per Day		Intermittent—Up to 3 Hours per Day †	
	Multi-Cyl. Engine ‡	Motor	Multi-Cyl. Engine ‡	Motor	Multi-Cyl. Engine ‡	Motor
1.00	1.25	1.25	1.50	1.00	1.00	1.00
1.25	1.50	1.50	1.75	1.00	1.25	1.25
1.50	1.75	1.75	2.00	1.25	1.50	1.50
1.75	2.00	2.00	2.25	1.50	1.75	1.75
2.00	2.25	2.25	2.50	1.75	2.00	2.00

† For applications operating one half hour or less per day and applications driven by single cylinder engines, refer to Factor.

‡ These service factors are based on the assumption that the system is free from serious critical and torsional vibrations and that maximum momentary or starting loads do not exceed 200% of the normal load.

TABLE 2 — Service factors listed by industry

for electric motor, steam turbine or hydraulic motor drives . . . recommendations are MINIMUM and normal conditions are assumed

Industry	Service		Industry	Service	
	3 to 10 Hour	Over 10 Hour		3 to 10 Hour	Over 10 Hour
BOTTLING AND BREWING			Jordan	1.50	
Bottling Machinery	1.25	1.25	Kiln Drive	1.50	
Brew Kettles, Continuous Duty	1.25	1.25	Mt. Hope & Paper Rolls	1.50	
Can Filling machines	1.25	1.25	Platter	1.50	
Cookers—Continuous Duty	1.25	1.25	Presses (Felt & Suction)	1.50	
Mash Tubs—Continuous Duty	1.25	1.25	Reel (Surface Type)	1.50	
Scale Hoppers—Frequent Starts	1.25	1.50	Screens		
CLAY WORKING INDUSTRY			Chip & Rotary	1.50	
Clay Working Machinery	1.25	1.50	Size Press	1.50	
Pug Mills	1.25	1.50	Thickener & Washer		
DISTILLING	See Brewing		AC Motor	1.50	
FOOD INDUSTRY			DC Motor	1.50	
Beet Slicers	1.25	1.50	Vacuum Pumps	1.50	
Bottling, Can Filling Machine	1.25	1.25	Wind & Unwind Stand	1.25	
Cereal Cookers	1.00	1.25	Winders (Surface Type)	1.25	
Dough Mixers, Meat Grinders	1.25	1.50	PLASTIC INDUSTRY		
LUMBER INDUSTRY			Batch Drop Mill, 2 smooth rolls	1.25	1.25
Conveyors			Calenders	1.50	1.50
Burner	1.25	1.50	Compounding Mills	1.25	1.25
Main or Heavy Duty	1.50	1.50	Continuous Feed, Holding & Blend Mill	1.25	1.25
Re-Saw Merry-Go-Round	1.25	1.50	Intensive Internal Mixers		
Slab	1.75	2.00	Batch Mixers	1.75	1.75
Transfer	1.25	1.50	Continuous Mixers	1.50	1.50
Chains—Floor	1.50	1.50	RUBBER INDUSTRY		
Chains—Green	1.50	1.75	Batch Drop Mill, 2 smooth rolls	1.50	1.50
Cut-Off Saws—Chain & Drag	1.50	1.75	Calenders	1.50	1.50
Feeds—Edger	1.25	1.50	Cracker Warmer—2 roll, 1 corrugated roll	1.75	1.75
Feeds—Gang	1.75	1.75	Holding, Feed & Blend Mill—2 Roll	1.25	1.25
Feeds—Trimmer	1.25	1.50	Intensive Internal Mixers		
Log Turning Devices	1.75	1.75	Batch Mixers	2.00	2.00
Planer Feed	1.25	1.50	Continuous Mixers	1.50	1.50
Planer Tilting Hoists	1.50	1.50	Mixing Mill—2 smooth rolls (if corrugated rolls are used, use Cracker Warmer service factors)	1.50	1.50
Rolls—Live—Off Bearing—Roll Cases	1.75	1.75	Refiner—2 roll	1.50	1.50
Sorting Table, Tipple Hoist	1.25	1.50	SEWAGE DISPOSAL		
Transfers—Chain & Craneway	1.75	2.00	Bar Screens	1.25	1.25
Tray Drives	1.25	1.50	Chemical Feeders	1.25	1.25
OIL INDUSTRY			Collectors	1.25	1.25
Chillers	1.25	1.50	Dewatering Screens	1.50	1.50
Paraffin Filter Press	1.25	1.50	Scum Breakers	1.50	1.50
Rotary Kilns	1.25	1.50	Slow or Rapid Mixers	1.50	1.50
PAPER MILLS ★			Thickeners	1.50	1.50
Agitator (Mixer)	1.50		Vacuum Filters	1.50	1.50
Agitator for Pure Liquids	1.50		TEXTILE INDUSTRY		
Beater	1.50		Batchers, Calenders	1.25	1.50
Breaker Stack	1.50		Card Machines	1.25	1.50
Calender	1.50		Dry Cans, Dryers	1.25	1.50
Chipper	2.00		Dyeing Machinery	1.25	1.50
Chip Feeder	1.50		Looms, Mangles, Nappers, Pads	1.25	1.50
Coating Rolls	1.50		Slashers, Soapers, Spinners, Tenter Frames, Washers, Winders	1.25	1.50
Conveyors—Chip, Bark, Chemical	1.50				
Couch Rolls	1.50				
Cylinder molds	1.50				
Dryers—Paper Mach. & Conveyor Type	1.50				
Embossor	1.50				
Extruder	1.50				
Fourdrinier Rolls—Lumpbreaker, Wire Turning Dandy & Return Rolls	1.50				

★ Service Factors for paper mill applications are applied to the nameplate rating of the electric drive motor at the motor rated base speed and are consistent with those shown in TAPPI standards.

◆ Anti-friction bearings only.

UB – Exact Ratios

Triple Reduction

Ratio Code (3 Characters)	DRIVE SIZE								
	03	04	05	06	07	08	09	10	12
8.0	8.328	8.054	8.112	7.961	8.595	8.128	8.035	8.263	8.513
10.	9.681	9.946	10.26
11.	11.25	11.30	11.40	11.19	11.91	11.52	11.06	11.54	11.80
12.	12.80	12.45	12.78	12.54	13.37	12.80	12.40	12.55	12.96
14.	14.50	14.14	14.35	14.08	14.71	14.24	13.33	13.89	14.21
16.	14.94	15.11	15.61
18.	18.54	17.95	18.22	17.88	19.21	18.41	17.93	18.57	18.20
20.	19.98	20.40	20.66	20.27	21.84	20.67	20.03	20.05	20.17
22.	21.61	22.35	21.93
25.	25.23	25.03	24.64	24.18	26.52	25.35	24.14	24.13	24.29
28.	28.60	27.78	28.37	27.84	29.17	28.56	27.78	29.24	28.99
32.	32.68	31.54	32.99	32.38	33.52	33.24	31.67	33.10	32.83
36.	36.35	35.83	36.91	36.22	38.01	36.88	33.47	35.19	34.93
40.	40.08	39.46	39.34	38.61	41.92	40.36	38.16	39.84	39.55
45.	44.11	45.39	46.63	45.76	48.01	45.66	44.89	45.37	46.81
50.	51.68	49.35	49.78	48.86	54.28	51.54	49.87	50.41	52.76
56.	54.09	54.61	56.39
63.	62.00	59.24	61.78	60.62	62.94	62.47	60.10	60.68	63.57
71.	72.27	71.09	72.85	71.49	75.07	72.86	70.45	71.89	74.62
80.	80.30	80.10	79.77	78.28	82.21	80.03	77.78	82.83	83.10
90.	84.88	86.53	89.89
100	96.70	93.12	97.76	95.93	98.65	98.08	93.71	99.70	100.1
112	110.8	105.7	109.0	106.9	113.5	107.1	107.0	112.0	113.8
125	126.0	120.2	122.2	119.9	126.1	123.3	120.3	120.4	121.1
140	128.9	134.8	137.1
160	145.0	144.9	145.9

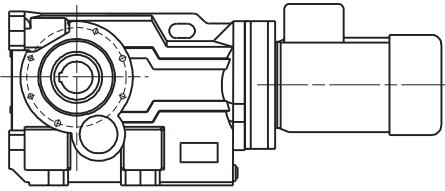
Quintuple Reduction

Ratio Code ★ (3 Characters)	DRIVE SIZE								
	03	04	05	06	07	08	09	10	12
125	128	134	118	116	120	132
140	145	148	143	140	133	145
160	165	170	157	154	147	164	161	167	172
200	211	200	208	204	211	203	226	226	269
250	227	258	264	259	233	256	254	260	238
280	287	284	300	294	265	297	282	285	302
320	325	322	316	310	305	325	316	317	332
360	371	355	351	344	374	368	361	373	385
400	413	407	399	391	415	401	402	414	437
450	455	448	453	445	466	462	455	471	493
500	516	508	499	489	513	506	489	515	531
560	568	581	574	563	590	538	563	566	584
630	649	646	624	612	641	641	655	651	671
700	704	712	725	712	737	760	727	723	757
800	798	808	812	797	836	811	789	783	809
900	912	891	899	882	924	888	940	904	946
10C	1015	1000	1045	1026	1062	1007	1028	980	1012
11C	1119	1102	1169	1147	1204	1102	1115	1171	1140
12C	1183	1267	1231	1208	1267	1248	1190	1268	1226
14C	1423	1427	1477	1449	1521	1470	1477	1470	1519
16C	1583	1606	1577	1548	1720	1659	1641	1634	1712
18C	1800	1784	1777	1744	1938	1817	1741	1754	1811
20C	2000	2250	1957	1920	1994	2011	1935	1949	2042
22C	2250	2265	2205	2164	2246	2202	2118	2134	2236
25C	2579	2463	2563	2515	2611	2699	2596	2561	2683
28C	2699	2799	2847	2794	2934	2821	2733	2779	2887
32C	3094	3360	3310	3248	3411	3147	2992	3044	3162
36C	3516	3548	3757	3686	3871	3853	3667	3652	3794
40C	4007	3998	4056	3981	4093	4237	4048	4208	4226
45C	4554	4543	4604	4518	4646	4722	4512	4842	4862
50C	4826	4647	5131	5036	5281	5157	5060	5380	5110
56C	5485	5281	5234	5136	5345	5296	5793	5845	5879
63C	6286	5994	5833	5725	6076	5783	6207	6548	6657
71C	7144	6815	6542	6420	6752	6660	6980	7276	7083

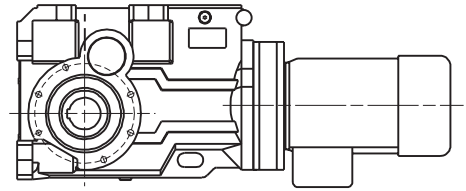
★ Ratio with letter C = 00. Example: 18C = 1800.

UB – Drive Mounting Position

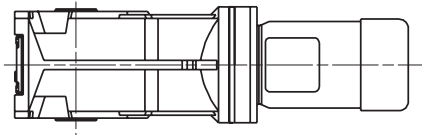
MOUNTING 1



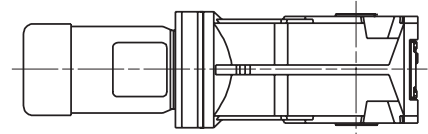
MOUNTING 2



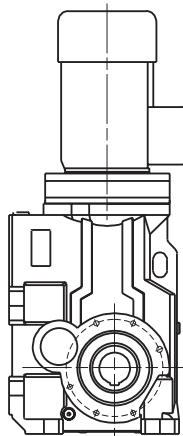
MOUNTING 3



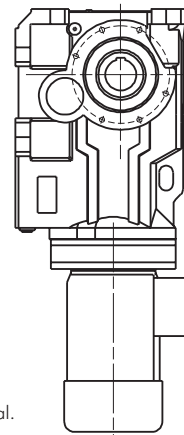
MOUNTING 4



MOUNTING 5

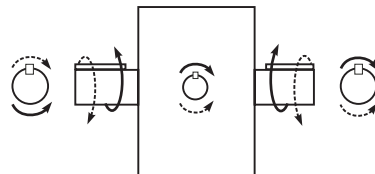


MOUNTING 6 ‡



‡ Use motor fitted with a seal.

UB – Relative Shaft Rotation (Looking at H.S. or Input Shaft)



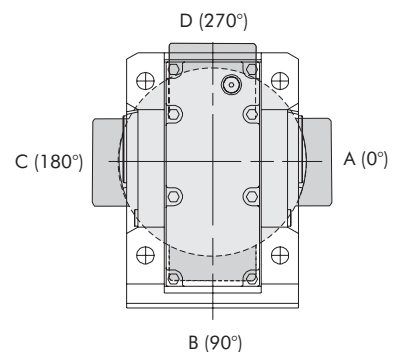
UB – Motor Mounting Position

Conduit box position when viewed from L.S. end of drive.

- A – Conduit box horizontal on right side, 0°.
- B – Conduit box vertical on bottom side, 90°.
- C – Conduit box horizontal on left side, 180°.
- D – Conduit box vertical on top side, 270°.

Standard NEMA motor mounting position is “C”.

Standard IEC motor mounting position is “A”.



UB – Output Shaft Options

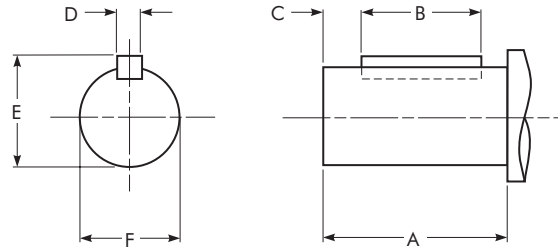


TABLE 1 — Dimensions – Standard Shaft (in.) – Metric Shaft (mm)

DRIVE SIZE	03		04		05		06		07	
Type of Output Shaft	Metric	Std. Shaft ★	Metric	Std. Shaft ★	Metric	Std. Shaft ★	Metric	Std. Shaft ★	Metric	Std. Shaft ★
Nomenclature Entry	C	N	C	N	C	N	C	N	C	N
Dimensions										
A	47	1.85	56	2.20	66	2.60	76	3.00	95	3.74
B	40	1.44	50	2.00	60	2.375	70	2.375	80	2.75
C	3	...	3	...	3	...	3	...	3	...
D	8	0.25	8	0.25	10	0.3125	12	0.375	14	0.50
E	28	1.106	33	1.359	38	1.507	43	1.784	53.5	2.228
F	25.015 25.002	1.0000 0.9995	30.015 30.002	1.2500 1.2495	35.018 35.002	1.3750 1.3745	40.018 40.002	1.625 1.624	50.018 50.002	2.000 1.999

★ Standard shafts have an open ended keyway to ANSI standard B17.1 and therefore no dimension C. All other shafts shown have keyways in accordance with BS 4235 : Part 1.

■ Available from stock.

TABLE 1A — Dimensions – Standard Shaft (in.) – Metric Shaft (mm)

DRIVE SIZE	08		09		10		12	
Type of Output Shaft	Metric	Std. Shaft ★	Metric	Std. Shaft ★	Metric	Std. Shaft ★	Metric	Std. Shaft ★
Nomenclature Entry	C	N	C	N	C	N	C	N
Dimensions								
A	114	4.488	135	5.315	172	6.772	213	8.386
B	100	3.6875	110	4.625	140	5.9375	180	6.500
C	3	...	3	...	5	...	5	...
D	18	0.625	20	0.750	25	0.875	28	1.000
E	64	2.65	74.5	3.20	95	4.01	116	4.81
F	60.000 60.011	2.3750 2.3740	70.030 70.011	2.875 2.874	90.035 90.013	3.625 3.624	110.035 110.013	4.375 4.374

★ Standard shafts have an open ended keyway to ANSI standard B17.1 and therefore no dimension C. All other shafts shown have keyways in accordance with BS 4235 : Part 1.

■ Available from stock.

Motor Detail (NEMA C-Face)

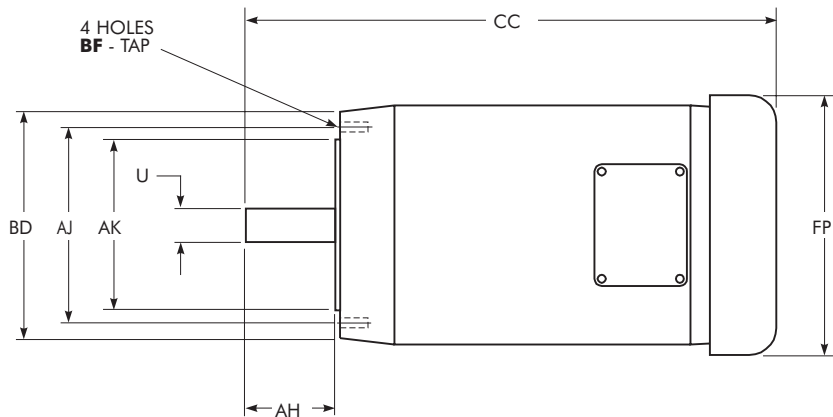


TABLE 2 — Typical Motor Dimensions – Inches

MOTOR FRAME SIZE	BD	AJ	AK	U	AH	CC Max	FP	BF Tap UNC
56C	6.50	5.88	4.5	0.625	2.06	14.06	7.19	0.375
143TC/145TC	6.50	5.88	4.5	0.875	2.13	14.19	7.19	0.375

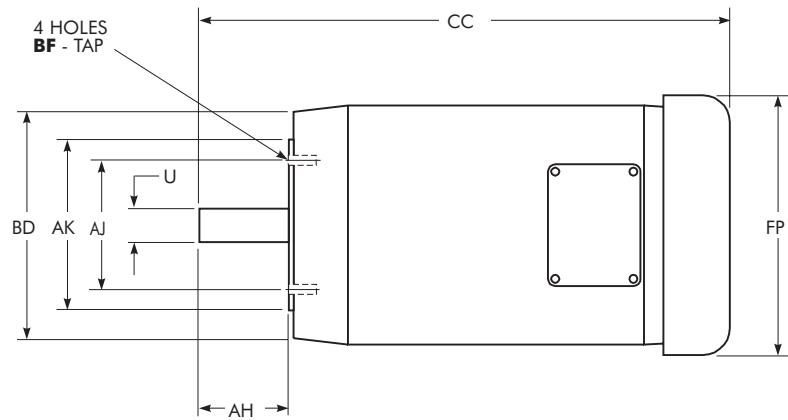


TABLE 3 — Typical Motor Dimensions – Inches

MOTOR FRAME SIZE	BD	AJ	AK	U	AH	CC Max	FP	BF Tap UNC
182TC/184TC	9.00	7.25	8.5	1.125	2.63	18.06	8.50	0.50
213TC/215TC	9.00	7.25	8.5	1.375	3.13	19.44	10.19	0.50
254TC/256TC	10.00	7.25	8.5	1.625	3.75	23.63	12.50	0.50
284TC/286TC	11.25	9.00	10.5	1.875	4.38	27.56	15.56	0.50
324TC/326TC	13.38	11.00	12.5	2.125	5.00	30.25	16.94	0.63
364TC/365TC	13.38	11.00	12.5	2.375	5.63	32.56	19.00	0.63
404TC/405TC	13.88	11.00	12.5	2.875	7.00	36.88	20.63	0.63

UB – Motor Adapters

The ULTRAMITE helical bevel gearmotor accommodates NEMA (Input Type “A”) or IEC (Input Type “G”) motor frame sizes. Tables 1 & 2 identify the appropriate motor adapter symbol that pertains to specific motor frame size, drive size, ratio, and reduction combinations.

If a motor adapter symbol is not listed for a particular combination of motor frame size, drive size, ratio, and reduction, then that combination is not offered.

For Gear Drives (Inputs Types “N” and “C”), the motor adapter symbol is not used.

TABLE 1 — Input Type A – NEMA Motor Adapter Symbols

Motor Frame Size	DRIVE SIZE																			
	03				04				05				06				07			
	Triple		Quintuple		Triple		Quintuple		Triple		Quintuple		Triple		Quintuple		Triple		Quintuple	
	Ratio Range																			
8.0-20.	25.-125	125-250	280 & Over	8.0-32.	36.-125	125-360	400 & Over	8.0-25.	28.-125	125-400	450 & Over	8.0-25.	28.-125	125-400	450 & Over	8.0-20.	25.-125	125-400	450 & Over	
56C	A	A	A	A	A	A	A	...	A	A	A	...	A	A	A	...	A	A	A	
143TC/145TC	B	B	B	B	B	B	B	...	B	B	B	...	B	B	B	...	B	B	B	
182TC/184TC	C	...	C	...	C	C	C	C	...	C	C	C	...	C	C	C		
213TC/215TC	D	D	D	D	...		
254TC/256TC	E		

Motor Frame Size	DRIVE SIZE															
	08				09				10				12			
	Triple		Quintuple		Triple		Quintuple		Triple		Quintuple		Triple		Quintuple	
	Ratio Range															
8.0-32.	36.-125	125-400	450 & Over	8.0-40.	45.-160	160-500	560 & Over	8.0-36.	40.-160	160-500	560 & Over	8.0-40.	45.-100	112-160	160-450	500 & Over
56C	...	A	...	A	A	A	A
143TC/145TC	...	B	...	B	B	B	B
182TC/184TC	C	C	C	C	...	C	C	C	...	C	C	C	...	C	C	C
213TC/215TC	D	D	D	D	D	D	D	D	...	D	D	D
254TC/256TC	E	E	E	E	E	E	E	...	E	E	E	...
284TC/286TC	F	F	F	F	F	...	F	F	F	...
324TC/326TC	G	G	G	G	G	...	G	G	G	...
364TC/365TC	H	H	H	...
404TC/405TC	J	J	J	...

TABLE 2 — Input Type G – IEC Motor Adapter Symbols

Motor Frame Size	DRIVE SIZE																			
	03				04				05				06				07			
	Triple		Quintuple		Triple		Quintuple		Triple		Quintuple		Triple		Quintuple		Triple		Quintuple	
	Ratio Range																			
8.0-20.	25.-125	125-250	280 & Over	8.0-32.	36.-125	125-360	400 & Over	8.0-25.	28.-125	125-400	450 & Over	8.0-25.	28.-125	125-400	450 & Over	8.0-20.	25.-125	125-400	450 & Over	
63/D	A	A	A	A	...	A	A	A	...	A	A	A	...	A	A	A
71/D	B	B	B	B	...	B	B	B	...	B	B	B	...	B	B	B
71/C	C	C	C	C	...	C	C	C	...	C	C	C	...	C	C	C
80/D	D	D	D	D	...	D	D	D	...	D	D	D	...	D	D	...	D	D	D	D
80/C	E	E	E	E	...	E	E	E	...	E	E	E	...	E	E	E	E	E
90/D	F	F	F	F	...	F	F	F	...	F	F	F	...	F	F	F	F	F
90/C	G	G	G	G	...	G	G	G	...	G	G	G	...	G	G	G	G	G
100/D	H	H	H	H	H	H
100/C	J	J	J	J	J	J
112/D	K	K	K	K	K	K
112/C	M	M	M	M	M	M
132/D	N	N	N	N	N	N

Motor Frame Size	DRIVE SIZE															
	08				09				10				12			
	Triple		Quintuple		Triple		Quintuple		Triple		Quintuple		Triple		Quintuple	
	Ratio Range															
8.0-32.	36.-125	125-400	450 & Over	8.0-40.	45.-160	160-500	560 & Over	8.0-36.	40.-160	160-500	560 & Over	8.0-40.	45.-100	112-160	160-450	500 & Over
63/D	A	A
71/D	B	B
71/C	C	C
80/D	...	D	D	D	...	D	D	D	D
80/C	...	E	E	E	...	E	E	E
90/D	...	F	F	F	...	F	F	F	F
90/C	...	G	G	G	...	G	G	G	G
100/D	H	H	H	H	...	H	H	...	H	H	H	...	H	H	H	H
100/C	J	J	J	J	...	J	J	...	J	J	J	...	J	J	J	J
112/D	K	K	K	K	...	K	K	...	K	K	K	...	K	K	K	K
112/C	M	M	M	M	...	M	M	...	M	M	M	...	M	M	M	M
132/D	N	N	N	N	...	N	N	...	N	N	N	...	N	N	N	N
132/C	P	P	P	P	...	P	P	...	P	P	P	...	P	P	P	P
160/D	R	R	R	R	R	R
180/D	T	T
200/D	U	U
225/D	W	W
250/D
280/D

UB – Gearmotor Selection Table

0.25 HP/1750 rpm/56C Frame Motor

Approx Output rpm	Exact Ratio	Actual Output Torque (lb-in)	Service Factor	Overhung Load (lb)	Helical Bevel Gearmotor Less Motor Inch Dimensioned		Helical Bevel With TA Taper Bushing Gearmotor Less Motor Inch Dimensioned	
					Drive Designation	Part No.	Drive Designation	Part No.
210	8.33	75	16.20	901	03UBBQ3A8.0A_A	4765645	NOT AVAILABLE	
156	11.25	102	13.52	994	11.	4765648		
137	12.80	116	12.40	1035	12.	4765651		
121	14.50	132	11.48	1076	14.	4765654		
94	18.54	168	9.76	1161	18.	4765657		
88	19.98	181	9.28	1189	20.	4765660		
69	25.23	229	7.84	1277	25.	4765663		
61	28.60	260	7.16	1326	28.	4765666		
54	32.68	296	6.48	1327	32.	4765669		
48	36.35	328	6.00	1328	36.	4765672		
44	40.08	362	5.56	1328	40.	4765675		
40	44.11	401	5.16	1328	45.	4765678		
34	51.68	469	4.44	1338	50.	4765681		
28	62.00	562	3.71	1340	63.	4765684		
24	72.27	655	3.18	1348	71.	4765687		
22	80.30	726	2.87	1348	80.	4765690		
18	96.70	875	1.97	1348	100	4765693		
16	110.83	998	1.48	1348	112	4765696		
14	125.96	1139	1.28	1348	125	4765699		
14	127.79	1102	1.82	1348	03UBBQ5A125A_A	REFER TO FALK		
12	145.34	1254	1.60	1348	140	REFER TO FALK		
11	164.66	1422	1.41	1348	160	REFER TO FALK		
8.3	210.58	1821	1.10	1348	200	REFER TO FALK		
7.7	226.95	1963	1.02	1348	250	REFER TO FALK		
6.1	286.52	2482	0.81	1348	280	REFER TO FALK		
15	120.15	1081	3.78	1348	04UBBQ3A125A_A	4765767		
13	134.38	1167	3.39	1348	04UBBQ5A125A_A	REFER TO FALK		
12	147.98	1283	3.08	1348	140	REFER TO FALK		
10	170.21	1467	2.68	1348	160	REFER TO FALK		
8.8	199.90	1734	2.28	1348	200	REFER TO FALK		
6.8	257.59	2237	1.77	1348	250	REFER TO FALK		
6.2	284.33	2445	1.60	1348	280	REFER TO FALK		
5.4	322.40	2808	1.41	1348	320	REFER TO FALK		
4.9	355.03	3086	1.28	1348	360	REFER TO FALK		
4.3	407.03	3547	1.12	1348	400	REFER TO FALK		
3.9	448.23	3900	1.02	1348	450	REFER TO FALK		
3.4	508.14	4424	0.90	1348	500	REFER TO FALK		
3.9	452.95	3971	1.52	1798	05UBBQ5A450A_A	500	↓	REFER TO FALK
3.5	498.80	4380	1.36	1798	500	500		
3.1	573.74	5037	1.20	1798	560	560		
2.8	623.76	5476	1.08	1798	630	630		
2.4	725.48	6347	0.96	1798	700	700		
3.9	444.50	3917	1.92	1798	06UBBQ5A450A_A	500		
3.6	489.49	4319	1.76	1798	500	500		
3.1	563.04	4967	1.52	1798	560	560		
2.9	612.13	5398	1.40	1798	630	630		
2.5	711.95	6261	1.20	1798	700	700		
2.2	796.55	6981	1.08	1798	800	800		
2.0	881.82	7760	0.96	1798	900	900		
3.8	465.77	4137	3.68	3372	07UBBQ5A450A_A	500	↓	
3.4	512.91	4560	3.32	3372	500	500		
3.0	589.97	5241	2.88	3372	560	560		
2.7	641.41	5695	2.68	3372	630	630		
2.4	737.04	6534	2.32	3372	700	700		
2.1	835.78	7390	2.04	3372	800	800		
1.9	924.00	8177	1.84	3372	900	900		
1.6	1061.77	9383	1.60	3372	10C	10C		
1.5	1204.01	10615	1.40	3372	11C	11C		
1.4	1267.37	11168	1.36	3372	12C	12C		

Motors are available from Falk or Falk Distributors.

.25 HP/56C Motor
Falk Part No. 1940393
Conforms to the following specifications:

C Face motor less base, TEFC, 1750 rpm, 208–230/460 Volts, 3 Phase, 60 Hz, NEMA B, 1.15 Service Factor.

Motors meeting other specifications are available upon request.

UB – Gearmotor Selection Table

0.33 HP/1750 rpm/56C Frame Motor

Approx Output rpm	Exact Ratio	Actual Output Torque (lb-in)	Service Factor	Overhung Load (lb)	Helical Bevel Gearmotor Less Motor Inch Dimensioned		Helical Bevel With TA Taper Bushing Gearmotor Less Motor Inch Dimensioned	
					Drive Designation	Part No.	Drive Designation	Part No.
210	8.33	97	12.27	896	03UBBQ3A8.0A_A	4765645	NOT AVAILABLE	
156	11.25	131	10.24	986	11.	4765648		
137	12.80	150	9.39	1026	12.	4765651		
121	14.50	171	8.70	1066	14.	4765654		
94	18.54	218	7.39	1148	18.	4765657		
88	19.98	234	7.03	1175	20.	4765660		
69	25.23	296	5.94	1260	25.	4765663		
61	28.60	337	5.42	1307	28.	4765666		
54	32.68	383	4.91	1308	32.	4765669		
48	36.35	424	4.55	1309	36.	4765672		
44	40.08	467	4.21	1309	40.	4765675		
40	44.11	518	3.91	1309	45.	4765678		
34	51.68	606	3.36	1328	50.	4765681		
28	62.00	726	2.81	1332	63.	4765684		
24	72.27	846	2.41	1348	71.	4765687		
22	80.30	938	2.17	1348	80.	4765690		
18	96.70	1130	1.49	1348	100	4765693		
16	110.83	1290	1.12	1348	112	4765696		
14	125.96	1472	0.97	1348	125	4765699		
14	127.79	1425	1.38	1348	03UBBQ5A125A_A	REFER TO FALK		
12	145.34	1621	1.21	1348	140			
11	164.66	1838	1.07	1348	160			
8.3	210.58	2353	0.84	1348	200			
19	93.12	1087	3.36	1348	04UBBQ3A100A_A	4765761		
17	105.69	1230	3.03	1348	112	4765764		
15	120.15	1397	2.86	1348	125	4765767		
13	134.38	1509	2.57	1348	04UBBQ5A125A_A	REFER TO FALK		
12	147.98	1658	2.33	1348	140			
10	170.21	1896	2.03	1348	160			
8.8	199.90	2241	1.72	1348	200			
6.8	257.59	2890	1.34	1348	250			
6.2	284.33	3159	1.21	1348	280			
5.4	322.40	3628	1.07	1348	320			
4.9	355.03	3988	0.97	1348	360			
3.9	452.95	5132	1.15	1685	05UBBQ5A450A_A	500	REFER TO FALK	
3.5	498.80	5659	1.03	1685	500	05UBBJ5A450A_A 500		
3.1	573.74	6509	0.91	1685	560	560		
3.9	444.50	5062	1.45	1798	06UBBQ5A450A_A	500		
3.6	489.49	5581	1.33	1798	500	06UBBJ5A450A_A 500		
3.1	563.04	6418	1.15	1798	560	560		
2.9	612.13	6976	1.06	1798	630	630		
2.5	711.95	8091	0.91	1798	700	700		
3.8	465.77	5345	2.79	3372	07UBBQ5A450A_A	500		
3.4	512.91	5893	2.52	3372	500	07UBBJ5A450A_A 500		
3.0	589.97	6773	2.18	3372	560	560		
2.7	641.41	7359	2.03	3372	630	630		
2.4	737.04	8443	1.76	3372	700	700		
2.1	835.78	9549	1.55	3372	800	800		
1.9	924.00	10566	1.39	3372	900	900		
1.6	1061.77	12124	1.21	3372	10C	10C		
1.5	1204.01	13716	1.06	3372	11C	11C		
1.4	1267.37	14431	1.03	3372	12C	12C		

Motors are available from Falk or Falk Distributors.

.33 HP/56C Motor Falk Part No. 1940394 Conforms to the following specifications:

C Face motor less base, TEFC, 1750 rpm, 208-230/460 Volts, 3 Phase, 60 Hz, NEMA B, 1.15 Service Factor.

Motors meeting other specifications are available upon request.

UB – Gearmotor Selection Table

0.50 HP/1750 rpm/56C Frame Motor

Approx Output rpm	Exact Ratio	Actual Output Torque (lb-in)	Service Factor	Overhung Load (lb)	Helical Bevel Gearmotor Less Motor Inch Dimensioned		Helical Bevel With TA Taper Bushing Gearmotor Less Motor Inch Dimensioned	
					Drive Designation	Part No.	Drive Designation	Part No.
210	8.33	150	8.10	884	03UBBQ3A8.0A_A	4765645	NOT AVAILABLE	
156	11.25	204	6.76	969	11.	4765648		
137	12.80	233	6.20	1008	12.	4765651		
121	14.50	264	5.74	1045	14.	4765654		
94	18.54	337	4.88	1121	18.	4765657		
88	19.98	363	4.64	1146	20.	4765660		
69	25.23	458	3.92	1223	25.	4765663		
61	28.60	521	3.58	1265	28.	4765666		
54	32.68	593	3.24	1268	32.	4765669		
48	36.35	656	3.00	1269	36.	4765672		
44	40.08	724	2.78	1270	40.	4765675		
40	44.11	802	2.58	1269	45.	4765678		
34	51.68	938	2.22	1308	50.	4765681		
28	62.00	1124	1.85	1316	63.	4765684		
24	72.27	1310	1.59	1348	71.	4765687		
22	80.30	1452	1.43	1348	80.	4765690		
18	96.70	1750	0.98	1348	100	4765693		
14	127.79	2205	0.91	1348	03UBBQ5A125A_A	REFER TO FALK	↓	
30	59.24	1072	3.82	1348	04UBBQ3A63.A_A	4765752		
25	71.09	1283	3.12	1348	71.	4765755		
22	80.10	1438	2.78	1348	80.	4765758		
19	93.12	1683	2.22	1348	100	4765761		
17	105.69	1904	2.00	1348	112	4765764		
15	120.15	2163	1.89	1348	125	4765767		
13	134.38	2335	1.69	1348	04UBBQ5A125A_A	REFER TO FALK		
12	147.98	2566	1.54	1348	140			
10	170.21	2935	1.34	1348	160			
8.8	199.90	3469	1.14	1348	200			
6.8	257.59	4474	0.88	1348	250			
3.9	444.50	7834	0.96	1798	06UBBQ5A450A_A			
3.8	465.77	8274	1.84	3372	07UBBQ5A450A_A			
3.4	512.91	9121	1.66	3372	500			
3.0	589.97	10483	1.44	3372	560			
2.7	641.41	11391	1.34	3372	630			
2.4	737.04	13068	1.16	3372	700			
2.1	835.78	14780	1.02	3372	800			
1.9	924.00	16354	0.92	3372	900			
							06UBBJ5A450A_A	REFER TO FALK
							07UBBJ5A450A_A	REFER TO FALK
							500	
							560	
							630	
							700	
							800	
							900	

Motors are available from Falk or Falk Distributors.

.50 HP/56C Motor
Falk Part No. 1940395
Conforms to the following specifications:

C Face motor less base, TEFC, 1750 rpm, 208-230/460 Volts, 3 Phase, 60 Hz, NEMA B, 1.15 Service Factor.

Motors meeting other specifications are available upon request.

UB – Gearmotor Selection Table

0.75 HP/1750 rpm/56C Frame Motor

Approx Output rpm	Exact Ratio	Actual Output Torque (lb-in)	Service Factor	Overhung Load (lb)	Helical Bevel Gearmotor Less Motor Inch Dimensioned		Helical Bevel With TA Taper Bushing Gearmotor Less Motor Inch Dimensioned			
					Drive Designation	Part No.	Drive Designation	Part No.		
210	8.33	218	5.40	866	03UBBQ3A8.0A_A	4765645	NOT AVAILABLE			
156	11.25	295	4.51	945	11.	4765648				
137	12.80	337	4.13	980	12.	4765651				
121	14.50	383	3.83	1014	14.	4765654				
94	18.54	489	3.25	1082	18.	4765657				
88	19.98	526	3.09	1103	20.	4765660				
69	25.23	664	2.61	1169	25.	4765663				
61	28.60	755	2.39	1203	28.	4765666				
54	32.68	859	2.16	1209	32.	4765669				
48	36.35	951	2.00	1211	36.	4765672				
44	40.08	1048	1.85	1212	40.	4765675				
40	44.11	1162	1.72	1211	45.	4765678				
34	51.68	1359	1.48	1278	50.	4765681				
28	62.00	1628	1.24	1292	63.	4765684				
24	72.27	1897	1.06	1348	71.	4765687				
22	80.30	2103	0.96	1348	80.	4765690				
49	35.83	938	3.93	1348	04UBBQ3A36.A_A	4765740				
44	39.46	1037	3.56	1348	40.	4765743				
39	45.39	1193	3.20	1348	45.	4765746				
35	49.35	1295	3.00	1348	50.	4765749				
30	59.24	1553	2.55	1348	63.	4765752				
25	71.09	1858	2.08	1348	71.	4765755				
22	80.10	2082	1.85	1348	80.	4765758				
19	93.12	2437	1.48	1348	100	4765761				
17	105.69	2758	1.33	1348	112	4765764				
15	120.15	3133	1.26	1348	125	4765767				
13	134.38	3382	1.13	1348	04UBBQ5A125A_A	REFER				
12	147.98	3716	1.03	1348	140	TO				
10	170.21	4250	0.89	1348	160	FALK				
18	97.76	2555	2.31	1798	05UBBQ3A100A_A	4765827	05UBBJ3A100A_A	4765896		
16	108.96	2841	2.07	1798	112	4765831	112	4765900		
14	122.20	3190	1.71	1798	125	4765835	125	4765904		
16	106.93	2794	2.64	1798	06UBBQ3A112A_A	4765969	06UBBJ3A112A_A	4766038		
15	119.92	3127	1.71	1798	125	4765973	125	4766042		
14	126.11	3271	3.77	3372	07UBBQ3A125A_A	4766130	07UBBJ3A125A_A	4766219		
3.8	465.77	11981	1.23	3372	07UBBQ5A450A_A	REFER	07UBBJ5A450A_A	REFER		
3.4	512.91	13207	1.11	3372	500	TO	500	TO		
3.0	589.97	15179	0.96	3372	560	FALK	560	FALK		
3.8	462.28	11826	2.03	3523	08UBBQ5A450A_A		08UBBJ5A450A_A			
3.5	505.90	12929	1.85	3523	500		500			
3.3	537.67	13756	1.73	3523	560		560			
2.7	641.16	16404	1.45	3523	630		630			
2.3	759.86	19435	1.23	3523	700		700			
2.2	811.29	20747	1.15	3523	800		800			
2.0	887.84	22690	1.05	3523	900		900			
1.7	1006.74	25725	0.93	3523	10C		10C			
3.1	562.75	14435	2.52	7643	09UBBQ5A560A_A				09UBBJ5A560A_A	
2.7	654.52	16788	2.16	7643	630				630	
2.4	727.17	18612	1.95	7643	700	700				
2.2	788.65	20202	1.88	7643	800	800				
1.9	940.44	24088	1.57	7643	900	900				
1.7	1027.68	26293	1.37	7643	10C	10C				
1.6	1114.56	28535	1.33	7643	11C	11C				
1.5	1190.00	30461	1.24	7643	12C	12C				
1.2	1476.68	37761	1.00	7643	14C	14C				
1.1	1640.59	41880	0.91	7643	16C	16C				
2.7	650.62	16692	3.84	9689	10UBBQ5A630A_A		10UBBJ5A630A_A			
2.4	722.98	18509	3.45	9689	700		700			
2.2	783.15	20030	3.19	9689	800		800			
1.9	904.27	23148	2.76	9689	900		900			
1.8	979.53	25051	2.55	9689	10C		10C			
1.5	1170.88	29958	2.16	9689	11C		11C			
1.4	1268.32	32420	1.97	9689	12C		12C			
1.2	1470.48	37566	1.71	9689	14C		14C			
1.1	1634.03	41665	1.53	9689	16C		16C			
1.0	1753.89	44765	1.43	9689	18C		18C			
0.9	1948.97	49658	1.28	9689	20C		20C			
0.8	2134.33	54348	1.17	9689	22C		22C			
0.7	2561.20	65099	0.97	9689	25C		25C			
1.5	1140.25	29224	3.72	13779	12UBBQ5A11CA_A		12UBBJ5A11CA_A			
1.4	1225.51	31432	3.40	13796	12C		12C			
1.2	1518.59	38888	2.80	13779	14C		14C			
1.0	1711.76	43801	2.48	13779	16C		16C			
1.0	1811.28	46328	2.35	13779	18C		18C			
0.9	2041.68	52187	2.08	13779	20C		20C			
0.8	2235.86	57108	1.89	13779	22C		22C			
0.7	2683.03	68389	1.59	13779	25C		25C			
0.6	2887.22	73233	1.47	13779	28C	28C				

Motors are available from Falk or Falk Distributors

.75 HP/56C Motor
Falk Part No. 1940396
Conforms to the following specifications:

C Face motor less base, TEFC, 1750 rpm, 208-230/460 Volts, 3 Phase, 60 Hz, NEMA B, 1.15 Service Factor.

Motors meeting other specifications are available upon request.

UB – Gearmotor Selection Table

1.0 HP/1750 rpm/143TC Frame Motor

Approx Output rpm	Exact Ratio	Actual Output Torque (lb-in)	Service Factor	Overhung Load (lb)	Helical Bevel Gearmotor Less Motor Inch Dimensioned		Helical Bevel With TA Taper Bushing Gearmotor Less Motor Inch Dimensioned			
					Drive Designation	Part No.	Drive Designation	Part No.		
210	8.33	294	4.05	848	03UBBQ3A8.0A_B	4765646	NOT AVAILABLE			
156	11.25	398	3.38	921	11.	4765649				
137	12.80	455	3.10	953	12.	4765652				
121	14.50	517	2.87	983	14.	4765655				
94	18.54	659	2.44	1042	18.	4765658				
88	19.98	709	2.32	1060	20.	4765661				
69	25.23	896	1.96	1115	25.	4765664				
61	28.60	1019	1.79	1142	28.	4765667				
54	32.68	1159	1.62	1150	32.	4765670				
48	36.35	1283	1.50	1153	36.	4765673				
44	40.08	1414	1.39	1154	40.	4765676				
40	44.11	1567	1.29	1153	45.	4765679				
34	51.68	1833	1.11	1248	50.	4765682				
28	62.00	2196	0.93	1268	63.	4765685				
70	25.03	887	3.74	1349	04UBBQ3A25.A_B	4765729				
63	27.76	985	3.46	1349	28.	4765733				
55	31.54	1119	3.15	1349	32.	4765737				
49	35.83	1266	2.95	1335	36.	4765741				
44	39.46	1400	2.67	1334	40.	4765744				
39	45.39	1609	2.40	1348	45.	4765747				
35	49.35	1746	2.25	1348	50.	4765750				
30	59.24	2095	1.91	1348	63.	4765753				
25	71.09	2506	1.56	1348	71.	4765756				
22	80.10	2808	1.39	1348	80.	4765759				
19	93.12	3287	1.11	1348	100	4765762				
17	105.69	3720	1.00	1348	112	4765765				
15	120.15	4226	0.94	1348	125	4765768				
13	134.38	4562	0.85	1348	04UBBQ5A125A_B	REFER TO FALK				
38	46.63	1656	3.48	1800	05UBBQ3A45.A_B	4765808			05UBBJ3A45.A_B	4765877
35	49.78	1761	3.31	1800	50.	4765812			50.	4765881
28	61.78	2186	2.72	1800	63.	4765816			63.	4765885
24	72.85	2584	2.31	1800	71.	4765820			71.	4765889
22	79.77	2813	2.11	1800	80.	4765824			80.	4765893
18	97.76	3446	1.73	1723	100	4765828			100	4765897
16	108.96	3832	1.55	1776	112	4765832			112	4765901
14	122.20	4304	1.28	1732	125	4765836			125	4765905
15	118.40	4024	1.44	1685	05UBBQ5A125A_B	REFER			05UBBJ5A125A_B	REFER
12	142.79	4883	1.20	1685	140	TO			140	TO
11	157.35	5382	1.09	1685	160	FALK			160	FALK
8.4	207.81	7074	0.82	1685	200				200	
29	60.62	2145	3.48	1798	06UBBQ3A63.A_B	4765954			06UBBJ3A63.A_B	4766023
24	71.49	2524	2.96	1798	71.	4765958			71.	4766027
22	78.28	2762	2.70	1798	80.	4765962			80.	4766031
18	95.93	3381	2.21	1798	100	4765966			100	4766035
16	106.93	3769	1.98	1798	112	4765970			112	4766039
15	119.92	4219	1.28	1798	125	4765974			125	4766043
15	116.19	3979	1.84	1798	06UBBQ5A125A_B	REFER			06UBBJ5A125A_B	REFER
12	140.12	4823	1.52	1798	140	TO			140	TO
11	154.41	5315	1.38	1798	160	FALK			160	FALK
8.6	203.93	6992	1.05	1798	200				200	
6.8	259.02	8886	0.82	1798	250				250	

Motors are available from Falk or Falk Distributors

1.0 HP/143TC Motor
Falk Part No. 1940397
Conforms to the following specifications:

C Face motor less base, TEFC, 1750 rpm, 208-230/460 Volts, 3 Phase, 60 Hz, NEMA B, 1.15 Service Factor.

Motors meeting other specifications are available upon request.

Continued On Next Page

UB – Gearmotor Selection Table

1.0 HP/1750 rpm/143TC Frame Motor

Approx Output rpm	Exact Ratio	Actual Output Torque (lb-in)	Service Factor	Overhung Load (lb)	Helical Bevel Gearmotor Less Motor Inch Dimensioned		Helical Bevel With TA Taper Bushing Gearmotor Less Motor Inch Dimensioned	
					Drive Designation	Part No.	Drive Designation	Part No.
15	113.50	3998	3.69	3372	07UBBQ3A112A_B	4766126	07UBBJ3A112A_B	4766215
14	126.11	4412	2.83	3372	125	4766131	125	4766220
15	120.29	4173	3.44	3372	07UBBQ5A125A_B	REFER	07UBBJ5A125A_B	REFER
13	133.48	4650	3.10	3372	140	TO	140	TO
12	147.09	5124	2.81	3372	160	FALK	160	FALK
8.3	211.12	7328	1.96	3372	200		200	
7.5	233.36	8117	1.77	3372	250		250	
6.6	265.10	9221	1.56	3372	280		280	
5.7	304.63	10573	1.36	3372	320		320	
4.7	373.86	12976	1.11	3372	360		360	
4.2	414.65	14389	1.03	3372	400		400	
3.8	465.77	16161	0.92	3372	450		450	
3.8	462.28	15953	1.52	3523	08UBBQ5A450A_B		08UBBJ5A450A_B	
3.5	505.90	17440	1.39	3523	500		500	
3.3	537.67	18555	1.30	3523	560		560	
2.7	641.16	22127	1.09	3523	630		630	
2.3	759.86	26216	0.92	3523	700		700	
3.1	562.75	19472	1.89	7643	09UBBQ5A560A_B		09UBBJ5A560A_B	
2.7	654.52	22646	1.62	7643	630		630	
2.4	727.17	25106	1.46	7643	700		700	
2.2	788.65	27251	1.41	7643	800		800	
1.9	940.44	32493	1.18	7643	900		900	
1.7	1027.68	35466	1.03	7643	10C		10C	
1.6	1114.56	38492	1.00	7643	11C		11C	
1.5	1190.00	41089	0.93	7643	12C		12C	
3.4	514.73	17815	3.64	9689	10UBBQ5A500A_B		10UBBJ5A500A_B	
3.1	566.20	19596	3.31	9689	560		560	
2.7	650.62	22516	2.88	9689	630		630	
2.4	722.98	24967	2.59	9689	700		700	
2.2	783.15	27019	2.39	9689	800		800	
1.9	904.27	31225	2.07	9689	900		900	
1.8	979.53	33791	1.91	9689	10C		10C	
1.5	1170.88	40410	1.60	9689	11C		11C	
1.4	1268.32	43732	1.48	9689	12C		12C	
1.2	1470.48	50673	1.28	9689	14C		14C	
1.1	1634.03	56203	1.15	9689	16C		16C	
1.0	1753.89	60385	1.07	9689	18C		18C	
0.9	1948.97	66984	0.96	9689	20C		20C	
2.2	808.78	28003	3.93	13779	12UBBQ5A800A_B		12UBBJ5A800A_B	
1.8	946.46	32777	3.31	13796	900		900	
1.7	1011.58	35007	3.15	13779	10C		10C	
1.5	1140.25	39420	2.79	13779	11C		11C	
1.4	1225.51	42400	2.55	13796	12C		12C	
1.2	1518.59	52457	2.10	13779	14C		14C	
1.0	1711.76	59084	1.86	13779	16C		16C	
1.0	1811.28	62493	1.76	13779	18C		18C	
0.9	2041.68	70396	1.56	13779	20C		20C	
0.8	2235.86	77034	1.42	13779	22C		22C	
0.7	2683.03	92250	1.19	13779	25C		25C	
0.6	2887.22	98785	1.10	13779	28C		28C	

Motors are available from Falk or Falk Distributors

1.0 HP/143TC Motor Falk Part No. 1940397 Conforms to the following specifications:

C Face motor less base, TEFC, 1750 rpm, 208–230/460 Volts, 3 Phase, 60 Hz, NEMA B, 1.15 Service Factor.

Motors meeting other specifications are available upon request.

UB – Gearmotor Selection Table

1.5 HP/1750 rpm/145TC Frame Motor

Approx Output rpm	Exact Ratio	Actual Output Torque (lb-in)	Service Factor	Overhung Load (lb)	Helical Bevel Gearmotor Less Motor Inch Dimensioned		Helical Bevel With TA Taper Bushing Gearmotor Less Motor Inch Dimensioned			
					Drive Designation	Part No.	Drive Designation	Part No.		
210	8.33	442	2.70	812	03UBBQ3A8.0A_B	4765646	NOT AVAILABLE ↓			
156	11.25	598	2.25	873	11.	4765649				
137	12.80	683	2.07	898	12.	4765652				
121	14.50	775	1.91	920	14.	4765655				
94	18.54	989	1.63	962	18.	4765658				
88	19.98	1064	1.55	973	20.	4765661				
69	25.23	1344	1.31	1007	25.	4765664				
61	28.60	1529	1.19	1019	28.	4765667				
54	32.68	1739	1.08	1032	32.	4765670				
48	36.35	1924	1.00	1036	36.	4765673				
44	40.08	2121	0.93	1039	40.	4765676				
141	12.45	661	4.01	1259	04UBBQ3A12.A_B	4765713			NOT AVAILABLE ↓	
124	14.14	754	3.69	1299	14.	4765717				
97	17.95	954	3.15	1349	18.	4765721				
86	20.40	1087	2.88	1349	20.	4765725				
70	25.03	1331	2.49	1319	25.	4765729				
63	27.76	1478	2.31	1321	28.	4765733				
55	31.54	1679	2.10	1321	32.	4765737				
49	35.83	1899	1.97	1309	36.	4765741				
44	39.46	2100	1.78	1306	40.	4765744				
39	45.39	2414	1.60	1348	45.	4765747				
35	49.35	2620	1.50	1348	50.	4765750				
30	59.24	3142	1.27	1348	63.	4765753				
25	71.09	3760	1.05	1348	71.	4765756				
22	80.10	4213	0.93	1348	80.	4765759				
62	28.37	1509	3.38	1538	05UBBQ3A28.A_B	4765792	05UBBJ3A28.A_B	4765861		
53	32.99	1759	3.01	1583	32.	4765796	32.	4765865		
47	36.91	1963	2.83	1616	36.	4765800	36.	4765869		
44	39.34	2095	2.64	1634	40.	4765804	40.	4765873		
38	46.63	2485	2.32	1646	45.	4765808	45.	4765877		
35	49.78	2642	2.21	1639	50.	4765812	50.	4765881		
28	61.78	3280	1.81	1623	63.	4765816	63.	4765885		
24	72.85	3877	1.54	1651	71.	4765820	71.	4765889		
22	79.77	4220	1.41	1643	80.	4765824	80.	4765893		
18	97.76	5169	1.15	1574	100	4765828	100	4765897		
16	108.96	5749	1.03	1733	112	4765832	112	4765901		
14	122.20	6456	0.85	1601	125	4765836	125	4765905		
15	118.40	6036	0.96	1685	05UBBQ5A125A_B	REFER TO FALK	05UBBJ5A125A_B	REFER TO FALK		
48	36.22	1926	3.88	1798	06UBBQ3A36.A_B	4765938	06UBBJ3A36.A_B	4766007		
45	38.61	2053	3.64	1798	40.	4765942	40.	4766011		
38	45.76	2432	3.07	1798	45.	4765946	45.	4766015		
36	48.86	2599	2.88	1798	50.	4765950	50.	4766019		
29	60.62	3218	2.32	1792	63.	4765954	63.	4766023		
24	71.49	3786	1.97	1798	71.	4765958	71.	4766027		
22	78.28	4143	1.80	1798	80.	4765962	80.	4766031		
18	95.93	5072	1.47	1798	100	4765966	100	4766035		
16	106.93	5654	1.32	1798	112	4765970	112	4766039		
15	119.92	6328	0.85	1798	125	4765974	125	4766043		

Motors are available from Falk or Falk Distributors

1.5 HP/145TC Motor
Falk Part No. 1940398
Conforms to the following specifications:

C Face motor less base, TEFC, 1750 rpm, 208-230/460 Volts, 3 Phase, 60 Hz, NEMA B, 1.15 Service Factor.

Motors meeting other specifications are available upon request.

UB – Gearmotor Selection Table

1.5 HP/1750 rpm/145TC Frame Motor

Approx Output rpm	Exact Ratio	Actual Output Torque (lb-in)	Service Factor	Overhung Load (lb)	Helical Bevel Gearmotor Less Motor Inch Dimensioned		Helical Bevel With TA Taper Bushing Gearmotor Less Motor Inch Dimensioned		
					Drive Designation	Part No.	Drive Designation	Part No.	
15	116.19	5969	1.23	1798	06UBBQ5A125A_B	REFER	06UBBJ5A125A_B	REFER	
12	140.12	7234	1.01	1798	140	TO	140	TO	
11	154.41	7973	0.92	1798	160	FALK	160	FALK	
23	75.07	3981	3.82	3372	07UBBQ3A71A_B	4766111	07UBBJ3A71A_B	4766200	Motors are available from Falk or Falk Distributors
21	82.21	4348	3.49	3372	80.	4766116	80.	4766205	
18	98.65	5215	2.91	3372	100	4766121	100	4766210	
15	113.50	5998	2.46	3312	112	4766126	112	4766215	
14	126.11	6618	1.89	3372	125	4766131	125	4766220	
15	120.29	6260	2.29	3372	07UBBQ5A125A_B	REFER	07UBBJ5A125A_B	REFER	
13	133.48	6975	2.07	3372	140	TO	140	TO	
12	147.09	7686	1.87	3372	160	FALK	160	FALK	
8.3	211.12	10992	1.31	3372	200		200		
7.5	233.36	12175	1.18	3372	250		250		
6.6	265.10	13832	1.04	3372	280		280		
5.7	304.63	15860	0.91	3372	320		320		
14	123.33	6488	3.77	4834	08UBBQ3A125A_B	4762781	08UBBJ3A125A_B	4765194	1.5 HP/145TC Motor Falk Part No. 1940398
3.8	462.28	23929	1.01	3523	08UBBQ5A450A_B	REFER	08UBBJ5A450A_B	REFER	Conforms to the following specifications:
3.5	505.90	26161	0.93	3523	500	TO	500	TO	
3.1	562.75	29208	1.26	7643	09UBBQ5A560A_B	FALK	09UBBJ5A560A_B	FALK	C Face motor less base, TEFC, 1750 rpm, 208-230/460 Volts, 3 Phase, 60 Hz, NEMA B, 1.15 Service Factor.
2.7	654.52	33969	1.08	7643	630		630		
2.4	727.17	37659	0.97	7643	700		700		
3.4	514.73	26722	2.43	9689	10UBBQ5A500A_B		10UBBJ5A500A_B		
3.1	566.20	29395	2.21	9689	560		560		
2.7	650.62	33774	1.92	9689	630		630		
2.4	722.98	37451	1.73	9689	700		700		
2.2	783.15	40528	1.59	9689	800		800		
1.9	904.27	46837	1.38	9689	900		900		
1.8	979.53	50687	1.27	9689	10C		10C		
1.5	1170.88	60616	1.07	9689	11C		11C		
1.4	1268.32	65598	0.99	9689	12C		12C		
3.3	531.11	27642	3.93	13796	12UBBQ5A500A_B		12UBBJ5A500A_B		Motors meeting other specifications are available upon request.
3.0	584.22	30402	3.57	13796	560		560		
2.6	671.32	34924	3.11	13796	630		630		
2.3	756.72	39328	2.76	13796	700		700		
2.2	808.78	42005	2.62	13779	800		800		
1.8	946.46	49166	2.21	13796	900		900		
1.7	1011.58	52511	2.10	13779	10C		10C		
1.5	1140.25	59131	1.86	13779	11C		11C		
1.4	1225.51	63600	1.70	13796	12C		12C		
1.2	1518.59	78685	1.40	13779	14C		14C		
1.0	1711.76	88626	1.24	13779	16C		16C		
1.0	1811.28	93740	1.17	13779	18C		18C		
0.9	2041.68	105595	1.04	13779	20C		20C		
0.8	2235.86	115552	0.95	13779	22C		22C		

UB – Gearmotor Selection Table

2.0 HP/1750 rpm/145TC Frame Motor

Approx Output rpm	Exact Ratio	Actual Output Torque (lb-in)	Service Factor	Overhung Load (lb)	Helical Bevel Gearmotor Less Motor Inch Dimensioned		Helical Bevel With TA Taper Bushing Gearmotor Less Motor Inch Dimensioned			
					Drive Designation	Part No.	Drive Designation	Part No.		
210	8.33	589	2.03	777	03UBBQ3A8.0A_B	4765646	NOT AVAILABLE ↓			
156	11.25	797	1.69	825	11.	4765649				
137	12.80	911	1.55	843	12.	4765652				
121	14.50	1034	1.44	858	14.	4765655				
94	18.54	1319	1.22	883	18.	4765658				
88	19.98	1419	1.16	887	20.	4765661				
69	25.23	1792	0.98	898	25.	4765664				
217	8.05	570	3.92	1096	04UBBQ3A8.0A_B	4765705			NOT AVAILABLE ↓	
155	11.30	800	3.20	1186	11.	4765709				
141	12.45	882	3.01	1215	12.	4765713				
124	14.14	1005	2.77	1250	14.	4765717				
97	17.95	1272	2.36	1297	18.	4765721				
86	20.40	1449	2.16	1303	20.	4765725				
70	25.03	1774	1.87	1290	25.	4765729				
63	27.76	1971	1.73	1292	28.	4765733				
55	31.54	2239	1.58	1292	32.	4765737				
49	35.83	2533	1.48	1284	36.	4765741				
44	39.46	2800	1.34	1277	40.	4765744				
39	45.39	3218	1.20	1348	45.	4765747				
35	49.35	3493	1.13	1348	50.	4765750				
30	59.24	4190	0.96	1348	63.	4765753				
62	28.37	2013	2.54	1440	05UBBQ3A28.A_B	4765792	05UBBJ3A28.A_B	4765861		
53	32.99	2346	2.26	1469	32.	4765796	32.	4765865		
47	36.91	2617	2.13	1489	36.	4765800	36.	4765869		
44	39.34	2794	1.98	1499	40.	4765804	40.	4765873		
38	46.63	3313	1.74	1492	45.	4765808	45.	4765877		
35	49.78	3523	1.66	1479	50.	4765812	50.	4765881		
28	61.78	4373	1.36	1445	63.	4765816	63.	4765885		
24	72.85	5169	1.16	1503	71.	4765820	71.	4765889		
22	79.77	5627	1.06	1487	80.	4765824	80.	4765893		
18	97.76	6892	0.87	1424	100	4765828	100	4765897		
63	27.84	1976	3.75	1798	06UBBQ3A28.A_B	4765930	06UBBJ3A28.A_B	4765999		
54	32.38	2297	3.25	1798	32.	4765934	32.	4766003		
48	36.22	2568	2.91	1739	36.	4765938	36.	4766007		
45	38.61	2738	2.73	1734	40.	4765942	40.	4766011		
38	45.76	3243	2.31	1722	45.	4765946	45.	4766015		
36	48.86	3465	2.16	1798	50.	4765950	50.	4766019		
29	60.62	4291	1.74	1785	63.	4765954	63.	4766023		
24	71.49	5049	1.48	1798	71.	4765958	71.	4766027		
22	78.28	5524	1.35	1798	80.	4765962	80.	4766031		
18	95.93	6762	1.11	1798	100	4765966	100	4766035		
16	106.93	7539	0.99	1798	112	4765970	112	4766039		

Motors are available from Falk or Falk Distributors.

2.0 HP/145TC Motor
Falk Part No. 1940399
Conforms to the following specifications:

C Face motor less base, TEFC, 1750 rpm, 208–230/460 Volts, 3 Phase, 60 Hz, NEMA B, 1.15 Service Factor.

Motors meeting other specifications are available upon request.

UB – Gearmotor Selection Table

2.0 HP/1750 rpm/145TC Frame Motor

Approx Output rpm	Exact Ratio	Actual Output Torque (lb-in)	Service Factor	Overhung Load (lb)	Helical Bevel Gearmotor Less Motor Inch Dimensioned		Helical Bevel With TA Taper Bushing Gearmotor Less Motor Inch Dimensioned	
					Drive Designation	Part No.	Drive Designation	Part No.
15	116.19	7959	0.92	1798	06UBBQ5A125A_B	REFER TO FALK	06UBBJ5A125A_B	REFER TO FALK
32	54.28	3842	3.96	3371	07UBBQ3A50.A_B	4766101	07UBBJ3A50.A_B	4766190
28	62.94	4453	3.42	3371		4766106		4766195
23	75.07	5308	2.87	3265		63.	63.	4766200
21	82.21	5797	2.62	3260		71.	71.	4766205
18	98.65	6953	2.19	3243		80.	80.	4766210
15	113.50	7997	1.85	3252		100	100	4766215
14	126.11	8824	1.42	3372		112	112	4766220
15	120.29	8347	1.72	3372	07UBBQ5A125A_B	REFER TO FALK	07UBBJ5A125A_B	REFER TO FALK
13	133.48	9300	1.55	3372		140	140	REFER TO FALK
12	147.09	10249	1.41	3372		160	160	REFER TO FALK
8.3	211.12	14656	0.98	3372		200	200	REFER TO FALK
7.5	233.36	16234	0.89	3372		250	250	REFER TO FALK
6.6	265.10	18442	0.78	3372		280	280	REFER TO FALK
18	98.08	6914	3.54	4832	08UBBQ3A100A_B	4766251	08UBBJ3A100A_B	4766283
16	107.10	7549	3.24	4832		112	112	4765188
14	123.33	8651	2.83	4662		125	125	4765194
3.1	562.75	38944	0.95	7643	09UBBQ5A560A_B	REFER TO FALK	09UBBJ5A560A_B	REFER TO FALK
3.4	514.73	35630	1.82	9689	10UBBQ5A500A_B	REFER TO FALK	10UBBJ5A500A_B	REFER TO FALK
3.1	566.20	39193	1.66	9689		560	560	REFER TO FALK
2.7	650.62	45032	1.44	9689		630	630	REFER TO FALK
2.4	722.98	49934	1.30	9689		700	700	REFER TO FALK
2.2	783.15	54038	1.20	9689		800	800	REFER TO FALK
1.9	904.27	62450	1.04	9689		900	900	REFER TO FALK
1.8	979.53	67583	0.96	9689		10C	10	REFER TO FALK
3.3	531.11	36856	2.95	13796	12UBBQ5A500A_B		12UBBJ5A500A_B	
3.0	584.22	40536	2.68	13796		560	560	
2.6	671.32	46565	2.33	13796		630	630	
2.3	756.72	52438	2.07	13796		700	700	
2.2	808.78	56007	1.97	13779		800	800	
1.8	946.46	65554	1.66	13796		900	900	
1.7	1011.58	70015	1.58	13779		10C	10C	
1.5	1140.25	78841	1.40	13779		11C	11C	
1.4	1225.51	84800	1.28	13796		12C	12C	
1.2	1518.59	104914	1.05	13779		14C	14C	
1.0	1711.76	118169	0.93	13779		16C	16C	

Motors are available from Falk or Falk Distributors.

2.0 HP/145TC Motor Falk Part No. 1940399 Conforms to the following specifications:

C Face motor less base, TEFC, 1750 rpm, 208–230/460 Volts, 3 Phase, 60 Hz, NEMA B, 1.15 Service Factor.

Motors meeting other specifications are available upon request.

UB – Gearmotor Selection Table

3.0 HP/1750 rpm/182TC Frame Motor

Approx Output rpm	Exact Ratio	Actual Output Torque (lb-in)	Service Factor	Overhung Load (lb)	Helical Bevel Gearmotor Less Motor Inch Dimensioned		Helical Bevel With TA Taper Bushing Gearmotor Less Motor Inch Dimensioned	
					Drive Designation	Part No.	Drive Designation	Part No.
216	8.11	854	3.97	1053	05UBBQ3A8.0A_C	4765770	05UBBJ3A8.0A_C	4765839
154	11.40	1205	3.22	1116	11.	4765773	11.	4765842
137	12.78	1350	2.99	1139	12.	4765776	12.	4765845
122	14.35	1517	2.76	1162	14.	4765779	14.	4765848
96	18.22	1924	2.34	1203	18.	4765782	18.	4765851
85	20.66	2181	2.13	1218	20.	4765785	20.	4765854
71	24.64	2607	1.87	1237	25.	4765788	25.	4765857
62	28.37	2997	1.69	1244	28.	4765791	28.	4765860
53	32.99	3492	1.51	1242	32.	4765795	32.	4765864
47	36.91	3896	1.42	1235	36.	4765799	36.	4765868
44	39.34	4160	1.32	1227	40.	4765803	40.	4765872
38	46.63	4932	1.16	1183	45.	4765807	45.	4765876
35	49.78	5245	1.10	1158	50.	4765811	50.	4765880
28	61.78	6510	0.91	1091	63.	4765815	63.	4765884
98	17.88	1893	3.43	1798	06UBBQ3A18.A_C	4765920	06UBBJ3A18.A_C	4765989
86	20.27	2143	3.14	1798	20.	4765923	20.	4765992
72	24.18	2557	2.77	1798	25.	4765926	25.	4765995
63	27.84	2942	2.50	1694	28.	4765931	28.	4766000
54	32.38	3420	2.17	1680	32.	4765935	32.	4766004
48	36.22	3823	1.94	1619	36.	4765939	36.	4766008
45	38.61	4076	1.82	1607	40.	4765943	40.	4766012
38	45.76	4829	1.54	1568	45.	4765947	45.	4766016
36	48.86	5158	1.44	1798	50.	4765951	50.	4766020
29	60.62	6389	1.16	1772	63.	4765955	63.	4766024
24	71.49	7516	0.99	1798	71.	4765959	71.	4766028
22	78.28	8223	0.90	1798	80.	4765963	80.	4766032
46	38.01	3997	3.60	3080	07UBBQ3A36.A_C	4766087	07UBBJ3A36.A_C	4766176
42	41.92	4405	3.28	3148	40.	4766092	40.	4766181
36	48.01	5051	2.97	3238	45.	4766097	45.	4766186
32	54.28	5719	2.64	3137	50.	4766102	50.	4766191
28	62.94	6629	2.28	3115	63.	4766107	63.	4766196
23	75.07	7903	1.91	3051	71.	4766112	71.	4766201
21	82.21	8630	1.75	3035	80.	4766117	80.	4766206
18	98.65	10351	1.46	2984	100	4766122	100	4766211
15	113.50	11906	1.23	3132	112	4766127	112	4766216
14	126.11	13137	0.94	3372	125	4766132	125	4766221
28	62.47	6565	3.70	4229	08UBBQ3A63.A_C	4766246	08UBBJ3A63.A_C	4766278
24	72.86	7646	3.17	4368	71.	4762752	71.	4765165
22	80.03	8398	2.89	4438	80.	4762758	80.	4765171
18	98.08	10293	2.36	4455	100	4766252	100	4766284
16	107.10	11238	2.16	4435	112	4762776	112	4765189
14	123.33	12878	1.88	4319	125	4762782	125	4765195
13	132.19	13570	1.77	3523	08UBBQ5A125A_C	REFER	08UBBJ5A125A_C	REFER
12	144.67	14830	1.62	3523	140	TO	140	TO
11	163.67	16719	1.43	3523	160	FALK	160	FALK
8.6	203.40	20854	1.03	3523	200	↓	200	↓
6.8	255.90	26241	0.91	3523	250		250	
19	93.71	9810	3.87	7643	09UBBQ3A100A_C	4762896	09UBBJ3A100A_C	4765309
16	106.99	11215	3.02	7643	112	4762902	112	4765315
15	120.31	12591	2.70	7643	125	4762908	125	4765321
14	128.92	13465	2.81	7643	140	4762914	140	4765327
12	144.96	15101	2.50	7643	160	4762920	160	4765333
11	160.93	16573	2.20	7643	09UBBQ5A160A_C	REFER	09UBBJ5A160A_C	REFER
7.7	226.25	23303	1.57	7643	200	TO	200	TO
6.9	253.59	26120	1.40	7643	250	FALK	250	FALK
6.2	281.74	28944	1.26	7643	280	↓	280	↓
5.5	316.25	32492	1.12	7643	320		320	
4.8	361.50	37239	0.98	7643	360		360	
4.4	401.62	41270	0.88	7643	400		400	
3.4	514.73	53042	1.21	9689	10UBBQ5A500A_C		10UBBJ5A500A_C	
3.1	566.20	58347	1.10	9689	560		560	
2.7	650.62	67040	0.96	9689	630		630	
2.4	722.98	74337	0.86	9689	700		700	
3.3	531.11	54867	1.96	13796	12UBBQ5A500A_C		12UBBJ5A500A_C	
3.0	584.22	60346	1.79	13796	560		560	
2.6	671.32	69321	1.55	13796	630		630	
2.3	756.72	78064	1.38	13796	700		700	
2.2	808.78	83378	1.31	13779	800		800	
1.8	946.46	97590	1.10	13796	900		900	
1.7	1011.58	104231	1.05	13779	10C		10C	
1.5	1140.25	117371	0.93	13779	11C		11C	
1.4	1225.51	126241	0.85	13796	12C		12C	

Motors are available from Falk or Falk Distributors.

3.0 HP/182TC Motor
Falk Part No. 1940400
Conforms to the following specifications:

C Face motor less base, TEFC, 1750 rpm, 208–230/460 Volts, 3 Phase, 60 Hz, NEMA B, 1.15 Service Factor.

Motors meeting other specifications are available upon request.

UB – Gearmotor Selection Table

5.0 HP/1750 rpm/184TC Frame Motor

Approx Output rpm	Exact Ratio	Actual Output Torque (lb-in)	Service Factor	Overhung Load (lb)	Helical Bevel Gearmotor Less Motor Inch Dimensioned		Helical Bevel With TA Taper Bushing Gearmotor Less Motor Inch Dimensioned	
					Drive Designation	Part No.	Drive Designation	Part No.
216	8.11	1557	2.38	913	05UBBQ3A8.0A_C	4765770	05UBBJ3A8.0A_C	4765839
154	11.40	2195	1.93	919	11.	4765773	11.	4765842
137	12.78	2459	1.79	919	12.	4765776	12.	4765845
122	14.35	2765	1.66	915	14.	4765779	14.	4765848
96	18.22	3505	1.40	889	18.	4765782	18.	4765851
85	20.66	3973	1.28	863	20.	4765785	20.	4765854
71	24.64	4750	1.12	813	25.	4765788	25.	4765857
62	28.37	5459	1.01	755	28.	4765793	28.	4765862
220	7.96	1529	3.44	1404	06UBBQ3A8.0A_C	4765908	06UBBJ3A8.0A_C	4765977
156	11.19	2150	2.82	1453	11.	4765911	11.	4765980
140	12.54	2416	2.62	1479	12.	4765914	12.	4765983
124	14.08	2712	2.42	1504	14.	4765917	14.	4765986
98	17.88	3449	2.06	1538	18.	4765920	18.	4765989
86	20.27	3904	1.88	1529	20.	4765923	20.	4765992
72	24.18	4658	1.66	1508	25.	4765926	25.	4765995
63	27.84	5361	1.50	1434	28.	4765931	28.	4766000
54	32.38	6232	1.30	1387	32.	4765935	32.	4766004
48	36.22	6964	1.16	1321	36.	4765939	36.	4766008
45	38.61	7426	1.09	1288	40.	4765943	40.	4766012
203	8.60	1639	4.24	2059	07UBBQ3A8.0A_C	4766046	07UBBJ3A8.0A_C	4766135
147	11.91	2278	4.24	2158	11.	4766050	11.	4766139
131	13.37	2570	4.24	2216	12.	4766054	12.	4766143
119	14.71	2820	4.20	2270	14.	4766058	14.	4766147
91	19.21	3715	3.50	2382	18.	4766062	18.	4766151
80	21.84	4217	3.18	2450	20.	4766066	20.	4766155
66	26.52	5115	2.76	2519	25.	4766072	25.	4766161
60	29.17	5591	2.58	2545	28.	4766077	28.	4766166
52	33.52	6457	2.32	2580	32.	4766082	32.	4766171
46	38.01	7282	2.16	2607	36.	4766087	36.	4766176
42	41.92	8026	1.97	2624	40.	4766092	40.	4766181
36	48.01	9203	1.78	2636	45.	4766097	45.	4766186
32	54.28	10419	1.58	2550	50.	4766102	50.	4766191
28	62.94	12077	1.37	2476	63.	4766107	63.	4766196
23	75.07	14397	1.15	2517	71.	4766112	71.	4766201
21	82.21	15722	1.05	2472	80.	4766117	80.	4766206
53	33.24	6352	3.84	3304	08UBBQ3A32.A_C	4762714	08UBBJ3A32.A_C	4765127
47	36.88	7045	3.58	3349	36.	4766234	36.	4766266
43	40.36	7757	3.36	3416	40.	4766240	40.	4766272
38	45.66	8756	3.02	3466	45.	4762728	45.	4765141
34	51.54	9875	2.68	3517	50.	4762734	50.	4765147
28	62.47	11959	2.22	3578	63.	4766246	63.	4766278
24	72.86	13930	1.90	3606	71.	4762752	71.	4765165
22	80.03	15299	1.73	3605	80.	4762758	80.	4765171
18	98.08	18751	1.41	3513	100	4766252	100	4766284
16	107.10	20473	1.30	3443	112	4762776	112	4765189
14	123.33	23461	1.13	3461	125	4762782	125	4765195

Motors are available from Falk or Falk Distributors.

5.0 HP/184TC Motor Falk Part No. 1940401 Conforms to the following specifications:

C Face motor less base, TEFC, 1750 rpm, 208–230/460 Volts, 3 Phase, 60 Hz, NEMA B, 1.15 Service Factor.

Motors meeting other specifications are available upon request.

UB – Gearmotor Selection Table

5.0 HP/1750 rpm/184TC Frame Motor

Approx Output rpm	Exact Ratio	Actual Output Torque (lb-in)	Service Factor	Overhung Load (lb)	Helical Bevel Gearmotor Less Motor Inch Dimensioned		Helical Bevel With TA Taper Bushing Gearmotor Less Motor Inch Dimensioned	
					Drive Designation	Part No.	Drive Designation	Part No.
13	132.19	24721	1.06	3523	08UBBQ5A125A_C	REFER TO FALK	08UBBJ5A125A_C	REFER TO FALK
39	44.89	8591	4.30	7643	09UBBQ3A45.A_C	4762854	09UBBJ3A45.A_C	4765267
35	49.87	9539	3.88	7643	50.	4762860	50.	4765273
32	54.09	10339	4.00	7643	56.	4762866	56.	4765279
29	60.10	11496	3.60	7643	63.	4762872	63.	4765285
25	70.45	13429	2.76	7643	71.	4762878	71.	4765291
22	77.78	14905	2.48	7643	80.	4762884	80.	4765297
21	84.89	16182	2.56	7643	90.	4762890	90.	4765303
19	93.71	17871	2.32	7643	100	4762896	100	4765309
16	106.99	20431	1.81	7643	112	4762902	112	4765315
15	120.31	22938	1.62	7643	125	4762908	125	4765321
14	128.92	24531	1.68	7643	140	4762914	140	4765327
12	144.96	27509	1.50	7643	160	4762920	160	4765333
11	160.93	30192	1.32	7643	09UBBQ5A160A_C	REFER TO FALK	09UBBJ5A160A_C	REFER TO FALK
20	86.53	16581	4.30	11217	10UBBQ3A90.A_C	4763771	10UBBJ3A90.A_C	4765431
18	99.70	19086	3.74	11217	100	4763777	100	4765437
16	112.03	21394	3.32	11217	112	4763783	112	4765443
15	120.36	23069	3.10	11209	125	4763789	125	4765449
13	134.85	25757	2.76	11206	140	4763795	140	4765455
12	144.88	27577	2.58	11210	160	4763801	160	4765461
10	166.84	31302	2.25	9689	10UBBQ5A160A_C	REFER TO FALK	10UBBJ5A160A_C	REFER TO FALK
7.6	231.10	43364	1.62	9689	200	200	200	200
6.7	259.60	48714	1.44	9689	250	FALK	250	FALK
6.1	285.44	53568	1.31	9689	280	↓	280	↓
5.5	317.19	59375	1.18	9689	320	↓	320	↓
4.7	372.83	69975	1.01	9689	360	↓	360	↓
12	145.85	27783	4.34	16276	12UBBQ3A160A_C	4763973	12UBBJ3A160A_C	4765633
10	172.15	32406	3.64	13796	12UBBQ5A160A_C	REFER TO FALK	12UBBJ5A160A_C	REFER TO FALK
6.5	268.79	50536	2.33	13796	200	↓	200	↓
7.3	238.46	44890	2.63	13796	250	↓	250	↓
5.8	301.94	56769	2.07	13796	280	↓	280	↓
5.3	331.99	62423	1.89	13796	320	↓	320	↓
4.5	384.70	72413	1.63	13796	360	↓	360	↓
4.0	437.38	82325	1.43	13796	400	↓	400	↓
3.5	493.02	92691	1.27	13796	450	↓	450	↓
3.3	531.11	99953	1.18	13796	500	↓	500	↓
3.0	584.22	109934	1.07	13796	560	↓	560	↓

Motors are available from Falk or Falk Distributors.

5.0 HP/184TC Motor Falk Part No. 1940401 Conforms to the following specifications:

C Face motor less base, TEFC, 1750 rpm, 208–230/460 Volts, 3 Phase, 60 Hz, NEMA B, 1.15 Service Factor.

Motors meeting other specifications are available upon request.

UB – Gearmotor Selection Table

7.5 HP/1750 rpm/213TC Frame Motor

Approx Output rpm	Exact Ratio	Actual Output Torque (lb-in)	Service Factor	Overhung Load (lb)	Helical Bevel Gearmotor Less Motor Inch Dimensioned		Helical Bevel With TA Taper Bushing Gearmotor Less Motor Inch Dimensioned	
					Drive Designation	Part No.	Drive Designation	Part No.
203	8.60	2224	2.83	1972	07UBBQ3A8.0A_D	4766047	07UBBJ3A8.0A_D	4766136
147	11.91	3091	2.83	2038	11.	4766051	11.	4766140
131	13.37	3487	2.83	2082	12.	4766055	12.	4766144
119	14.71	3825	2.80	2121	14.	4766059	14.	4766148
91	19.21	5040	2.33	2190	18.	4766063	18.	4766152
80	21.84	5721	2.12	2229	20.	4766067	20.	4766156
66	26.52	6940	1.84	2252	25.	4766073	25.	4766162
60	29.17	7585	1.72	2252	28.	4766078	28.	4766167
52	33.52	8760	1.55	2245	32.	4766083	32.	4766172
46	38.01	9878	1.44	2229	36.	4766088	36.	4766177
42	41.92	10888	1.31	2205	40.	4766093	40.	4766182
36	48.01	12485	1.19	2155	45.	4766098	45.	4766187
32	54.28	14135	1.05	2081	50.	4766103	50.	4766192
28	62.94	16384	0.91	1964	63.	4766108	63.	4766197
69	25.35	6618	3.16	2910	08UBBQ3A25.A_D	4766229	08UBBJ3A25.A_D	4766261
61	28.56	7430	2.88	2979	28.	4762711	28.	4765124
53	33.24	8618	2.56	3024	32.	4762715	32.	4765128
47	36.88	9557	2.39	3041	36.	4766235	36.	4766267
43	40.36	10524	2.24	3076	40.	4766241	40.	4766273
38	45.66	11878	2.01	3083	45.	4762729	45.	4765142
34	51.54	13397	1.79	3083	50.	4762735	50.	4765148
28	62.47	16224	1.48	3057	63.	4766247	63.	4766279
24	72.86	18897	1.27	2997	71.	4762753	71.	4765166
22	80.03	20755	1.15	2938	80.	4762759	80.	4765172
18	98.08	25437	0.94	2759	100	4766253	100	4766285
39	44.89	11655	2.87	7643	09UBBQ3A45.A_D	4762855	09UBBJ3A45.A_D	4765268
35	49.87	12941	2.59	7643	50.	4762861	50.	4765274
32	54.09	14026	2.67	7643	56.	4762867	56.	4765280
29	60.10	15596	2.40	7643	63.	4762873	63.	4765286
25	70.45	18218	1.84	7643	71.	4762879	71.	4765292
22	77.78	20220	1.65	7643	80.	4762885	80.	4765298
21	84.89	21952	1.71	7643	90.	4762891	90.	4765304
19	93.71	24245	1.55	7643	100	4762897	100	4765310
16	106.99	27717	1.21	7643	112	4762903	112	4765316
15	120.31	31118	1.08	7643	125	4762909	125	4765322
14	128.92	33279	1.12	7643	140	4762915	140	4765328
12	144.96	37320	1.00	7643	160	4762921	160	4765334
24	71.89	18744	3.44	11218	10UBBQ3A71.A_D	4763760	10UBBJ3A71.A_D	4765420
21	82.83	21551	2.99	11218	80.	4763766	80.	4765426
20	86.53	22493	2.87	11208	90.	4763772	90.	4765432
18	99.70	25892	2.49	11208	100	4763778	100	4765438
16	112.03	29024	2.21	11205	112	4763784	112	4765444
15	120.36	31295	2.07	11198	125	4763790	125	4765450
13	134.85	34942	1.84	11191	140	4763796	140	4765456
12	144.88	37412	1.72	11203	160	4763802	160	4765462
10	166.84	42465	1.50	9689	10UBBQ5A160A_D	REFER	10UBBJ5A160A_D	REFER
7.6	231.10	58827	1.08	9689	200	TO	200	TO
6.7	259.60	66085	0.96	9689	250	FALK	250	FALK
15	113.79	29444	3.64	16276	12UBBQ3A112A_D	4763956	12UBBJ3A112A_D	4765616
14	121.06	31448	3.41	16276	125	4763962	125	4765622
13	137.09	35499	3.08	16276	140	4763968	140	4765628
12	145.85	37691	2.89	16266	160	4763974	160	4765634
10	172.15	43962	2.42	13796	12UBBQ5A160A_D	REFER	12UBBJ5A160A_D	REFER
6.5	268.79	68557	1.55	13796	200	TO	200	TO
7.3	238.46	60899	1.75	13796	250	FALK	250	FALK
5.8	301.94	77013	1.38	13796	280		280	
5.3	331.99	84683	1.26	13796	320		320	
4.5	384.70	98237	1.09	13796	360		360	
4.0	437.38	111682	0.95	13796	400		400	

Motors are available from Falk or Falk Distributors.

7.5 HP/213TC Motor Falk Part No. 1940402 Conforms to the following specifications:

C Face motor less base, TEFC, 1750 rpm, 208-230/460 Volts, 3 Phase, 60 Hz, NEMA B, 1.15 Service Factor.

Motors meeting other specifications are available upon request.

UB – Gearmotor Selection Table

10 HP/1750 rpm/215TC Frame Motor

Approx Output rpm	Exact Ratio	Actual Output Torque (lb-in)	Service Factor	Overhung Load (lb)	Helical Bevel Gearmotor Less Motor Inch Dimensioned		Helical Bevel With TA Taper Bushing Gearmotor Less Motor Inch Dimensioned	
					Drive Designation	Part No.	Drive Designation	Part No.
203	8.60	2988	2.12	1865	07UBBQ3A8.0A_D	4766047	07UBBJ3A8.0A_D	4766136
147	11.91	4153	2.12	1889	11.	4766051	11.	4766140
131	13.37	4684	2.12	1913	12.	4766055	12.	4766144
119	14.71	5139	2.10	1934	14.	4766059	14.	4766148
91	19.21	6771	1.75	1950	18.	4766063	18.	4766152
80	21.84	7685	1.59	1952	20.	4766067	20.	4766156
66	26.52	9323	1.38	1918	25.	4766073	25.	4766162
60	29.17	10190	1.29	1887	28.	4766078	28.	4766167
52	33.52	11768	1.16	1827	32.	4766083	32.	4766172
46	38.01	13270	1.08	1756	36.	4766088	36.	4766177
42	41.92	14627	0.98	1681	40.	4766093	40.	4766182
137	12.80	4461	3.29	2428	08UBBQ3A12.A_D	4762683	08UBBJ3A12.A_D	4765096
123	14.24	4989	3.29	2473	14.	4766225	14.	4766257
95	18.41	6436	3.08	2563	18.	4762695	18.	4765108
85	20.67	7242	2.80	2608	20.	4762699	20.	4765112
69	25.35	8891	2.37	2646	25.	4766229	25.	4766261
61	28.56	9982	2.16	2677	28.	4762711	28.	4765124
53	33.24	11577	1.92	2674	32.	4762715	32.	4765128
47	36.88	12839	1.79	2657	36.	4766235	36.	4766267
43	40.36	14137	1.68	2651	40.	4766241	40.	4766273
38	45.66	15956	1.51	2605	45.	4762729	45.	4765142
34	51.54	17997	1.34	2541	50.	4762735	50.	4765148
28	62.47	21794	1.11	2406	63.	4766247	63.	4766279
24	72.86	25386	0.95	2235	71.	4762753	71.	4765166
39	44.89	15656	2.15	7643	09UBBQ3A45.A_D	4762855	09UBBJ3A45.A_D	4765268
35	49.87	17384	1.94	7643	50.	4762861	50.	4765274
32	54.09	18842	2.00	7643	56.	4762867	56.	4765280
29	60.10	20951	1.80	7643	63.	4762873	63.	4765286
25	70.45	24473	1.38	7643	71.	4762879	71.	4765292
22	77.78	27163	1.24	7643	80.	4762885	80.	4765298
21	84.89	29490	1.28	7643	90.	4762891	90.	4765304
19	93.71	32569	1.16	7643	100	4762897	100	4765310
16	106.99	37233	0.91	7643	112	4762903	112	4765316
35	50.41	17645	3.68	11217	10UBBQ3A50.A_D	4763742	10UBBJ3A50.A_D	4765402
32	54.61	19034	3.40	11217	56.	4763748	56.	4765408
29	60.68	21204	3.06	11210	63.	4763754	63.	4765414
24	71.89	25180	2.58	11208	71.	4763760	71.	4765420
21	82.83	28950	2.24	11205	80.	4763766	80.	4765426
20	86.53	30217	2.15	11197	90.	4763772	90.	4765432
18	99.70	34782	1.87	11197	100	4763778	100	4765438
16	112.03	38989	1.66	11190	112	4763784	112	4765444
15	120.36	42041	1.55	11184	125	4763790	125	4765450
13	134.85	46939	1.38	11172	140	4763796	140	4765456
12	144.88	50257	1.29	11195	160	4763802	160	4765462
10	166.84	57045	1.12	9689	10UBBQ5A160A_D	REFER TO	10UBBJ5A160A_D	REFER TO
7.6	231.10	79025	0.81	9689	200	FALK	200	FALK
21	83.10	28921	3.75	16276	12UBBQ3A80.A_D	4763932	12UBBJ3A80.A_D	4765592
19	89.89	31187	3.53	16276	90.	4763940	90.	4765600
17	100.12	34755	3.17	16276	100	4763948	100	4765608
15	113.79	39553	2.73	16264	112	4763956	112	4765616
14	121.06	42246	2.56	16262	125	4763962	125	4765622
13	137.09	47688	2.31	16263	140	4763968	140	4765628
12	145.85	50631	2.17	16255	160	4763974	160	4765634
10	172.15	59056	1.82	13796	12UBBQ5A160A_D	REFER TO	12UBBJ5A160A_D	REFER TO
6.5	268.79	92096	1.16	13796	200	FALK	200	FALK
7.3	238.46	81808	1.31	13796	250	FALK	250	FALK
5.8	301.94	103455	1.04	13796	280		280	
5.3	331.99	113758	0.94	13796	320		320	

Motors are available from Falk or Falk Distributors.

10 HP/215TC Motor Falk Part No. 1940403 Conforms to the following specifications:

C Face motor less base, TEFC, 1750 rpm, 208–230/460 Volts, 3 Phase, 60 Hz, NEMA B, 1.15 Service Factor.

Motors meeting other specifications are available upon request.

UB – Gearmotor Selection Table

15 HP/1750 rpm/254TC Frame Motor

Approx Output rpm	Exact Ratio	Actual Output Torque (lb-in)	Service Factor	Overhung Load (lb)	Helical Bevel Gearmotor Less Motor Inch Dimensioned		Helical Bevel With TA Taper Bushing Gearmotor Less Motor Inch Dimensioned	
					Drive Designation	Part No.	Drive Designation	Part No.
215	8.13	4206	2.19	2143	08UBBQ3A8.0A_E	4762672	08UBBJ3A8.0A_E	4765085
152	11.52	5958	2.19	2139		11. 4762680		4765093
137	12.80	6607	2.19	2158		12. 4762684		4765097
123	14.24	7390	2.19	2173		14. 4766226		4766258
95	18.41	9533	2.05	2179		18. 4762696		4765109
85	20.67	10728	1.87	2172		20. 4762700		4765113
69	25.35	13169	1.58	2117		25. 4766230		4766262
61	28.56	14785	1.44	2073		28. 4762712		4765125
53	33.24	17148	1.28	1975		32. 4762716		4765129
47	36.88	19017	1.19	1887		36. 4766236		4766268
43	40.36	20940	1.12	1802		40. 4766242		4766274
38	45.66	23635	1.01	1647		45. 4762730		4765143
98	17.93	9275	3.23	7689	09UBBQ3A18.A_E	4762822	09UBBJ3A18.A_E	4765211
87	20.03	10354	2.96	7685		20. 4762826		4765215
81	21.61	11160	3.17	7683		22. 4762830		4765219
72	24.14	12468	2.89	7687		25. 4762834		4765223
63	27.78	14391	2.29	7678		28. 4762838		4765251
55	31.67	16404	2.03	7643		32. 4762842		4765231
52	33.47	17254	2.15	7643		36. 4762846		4765235
46	38.16	19708	1.89	7643		40. 4762850		4765239
39	44.89	23190	1.43	7643		45. 4762856		4765243
35	49.87	25749	1.29	7643		50. 4762862		4765247
32	54.09	27908	1.33	7643		56. 4762868		4765251
29	60.10	31032	1.20	7643		63. 4762874		4765255
25	70.45	36249	0.92	7643		71. 4762880		4765259
53	33.10	17172	3.73	11251	10UBBQ3A32.A_E	4763723	10UBBJ3A32.A_E	4765383
50	35.19	18221	3.51	11249		36. 4763727		4765387
44	39.84	20637	3.11	11232		40. 4763731		4765391
39	45.37	23556	2.72	11128		45. 4763737		4765397
35	50.41	26135	2.45	11206		50. 4763743		4765403
32	54.61	28193	2.27	11202		56. 4763749		4765409
29	60.68	31408	2.04	11195		63. 4763755		4765415
24	71.89	37297	1.72	11188		71. 4763761		4765421
21	82.83	42881	1.49	11179		80. 4763767		4765427
20	86.53	44757	1.43	11174		90. 4763773		4765433
18	99.70	51518	1.25	11173		100 4763779		4765439
16	112.03	57751	1.11	11159		112 4763785		4765445
15	120.36	62270	1.03	11156		125 4763791		4765451
13	134.85	69525	0.92	11135		140 4763797		4765457
31	56.39	29134	3.73	16278	12UBBQ3A56.A_E	4763909	12UBBJ3A56.A_E	4765569
28	63.57	32835	3.31	16278		63. 4763917		4765577
23	74.62	38429	2.78	16279		71. 4763925		4765585
21	83.10	42837	2.50	16261		80. 4763933		4765593
19	89.89	46194	2.35	16257		90. 4763941		4765601
17	100.12	51479	2.11	16253		100 4763949		4765609
15	113.79	58586	1.82	16240		112 4763957		4765617
14	121.06	62574	1.71	16235		125 4763963		4765623
13	137.09	70635	1.54	16237		140 4763969		4765629
12	145.85	74995	1.45	16231		160 4763975		4765635

Motors are available from Falk or Falk Distributors.

15 HP/254TC Motor Falk Part No. 1940404 Conforms to the following specifications:

C Face motor less base, TEFC, 1750 rpm, 208-230/460 Volts, 3 Phase, 60 Hz, NEMA B, 1.15 Service Factor.

Motors meeting other specifications are available upon request.

UB – Gearmotor Selection Table

20 HP/1750 rpm/256TC Frame Motor

Approx Output rpm	Exact Ratio	Actual Output Torque (lb-in)	Service Factor	Overhung Load (lb)	Helical Bevel Gearmotor Less Motor Inch Dimensioned		Helical Bevel With TA Taper Bushing Gearmotor Less Motor Inch Dimensioned	
					Drive Designation	Part No.	Drive Designation	Part No.
215	8.13	5589	1.65	1971	08UBBQ3A8.0A_E	4762672	08UBBJ3A8.0A_E	4765085
152	11.52	7918	1.65	1894	11.	4762680	11.	4765093
137	12.80	8780	1.65	1888	12.	4762684	12.	4765097
123	14.24	9819	1.65	1874	14.	4766226	14.	4766258
95	18.41	12668	1.54	1795	18.	4762696	18.	4765109
85	20.67	14255	1.40	1737	20.	4762700	20.	4765113
69	25.35	17500	1.19	1588	25.	4766230	25.	4766262
61	28.56	19646	1.08	1469	28.	4762712	28.	4765125
53	33.24	22786	0.96	1276	32.	4762716	32.	4765129
218	8.03	5508	3.88	7171	09UBBQ3A8.0A_E	4762798	09UBBJ3A8.0A_E	4765211
181	9.68	6619	3.88	7351	10.	4762802	10.	4765215
158	11.06	7611	3.28	7440	11.	4762806	11.	4765219
141	12.40	8539	3.08	7553	12.	4762810	12.	4765223
131	13.33	9144	3.28	7643	14.	4762814	14.	4765227
117	14.94	10259	3.08	7479	16.	4762818	16.	4765231
98	17.93	12325	2.42	7459	18.	4762822	18.	4765235
87	20.03	13759	2.22	7474	20.	4762826	20.	4765239
81	21.61	14830	2.38	7482	22.	4762830	22.	4765243
72	24.14	16568	2.17	7468	25.	4762834	25.	4765247
63	27.78	19123	1.72	7504	28.	4762838	28.	4765251
55	31.67	21797	1.53	7643	32.	4762842	32.	4765255
52	33.47	22927	1.62	7643	36.	4762846	36.	4765259
46	38.16	26187	1.42	7643	40.	4762850	40.	4765263
39	44.89	30815	1.08	7643	45.	4762854	45.	4765267
35	49.87	34215	0.97	7643	50.	4762858	50.	4765271
32	54.09	37084	1.00	7643	56.	4762862	56.	4765275
29	60.10	41236	0.90	7643	63.	4762866	63.	4765279
73	24.13	16606	3.85	11217	10UBBQ3A25.A_E	4763715	10UBBJ3A25.A_E	4765375
60	29.24	20160	3.17	11217	28.	4763719	28.	4765379
53	33.10	22819	2.80	11083	32.	4763723	32.	4765383
50	35.19	24212	2.64	11093	36.	4763727	36.	4765387
44	39.84	27422	2.33	11159	40.	4763731	40.	4765391
39	45.37	31301	2.04	11038	45.	4763735	45.	4765395
35	50.41	34728	1.84	11195	50.	4763739	50.	4765399
32	54.61	37463	1.70	11187	56.	4763743	56.	4765403
29	60.68	41735	1.53	11180	63.	4763747	63.	4765407
24	71.89	49560	1.29	11168	71.	4763751	71.	4765411
21	82.83	56979	1.12	11153	80.	4763755	80.	4765415
20	86.53	59472	1.08	11151	90.	4763759	90.	4765419
18	99.70	68457	0.94	11150	100	4763763	100	4765423
44	39.55	27223	3.98	16276	12UBBQ3A40.A_E	4763885	12UBBJ3A40.A_E	4765545
37	46.81	32213	3.31	16276	45.	4763889	45.	4765549
33	52.76	36341	2.93	16276	50.	4763901	50.	4765553
31	56.39	38714	2.80	16267	56.	4763905	56.	4765557
28	63.57	43631	2.48	16265	63.	4763917	63.	4765561
23	74.62	51065	2.09	16261	71.	4763925	71.	4765565
21	83.10	56922	1.88	16246	80.	4763933	80.	4765569
19	89.89	61383	1.77	16238	90.	4763941	90.	4765573
17	100.12	68405	1.59	16231	100	4763949	100	4765577
15	113.79	77849	1.37	16215	112	4763957	112	4765581
14	121.06	83147	1.28	16207	125	4763963	125	4765585
13	137.09	93859	1.16	16212	140	4763969	140	4765589
12	145.85	99652	1.09	16208	160	4763975	160	4765593

Motors are available from Falk or Falk Distributors.

20 HP/256TC Motor Falk Part No. 1940405
Conforms to the following specifications:

C Face motor less base, TEFC, 1750 rpm, 208-230/460 Volts, 3 Phase, 60 Hz, NEMA B, 1.15 Service Factor.

Motors meeting other specifications are available upon request.

UB – Gearmotor Selection Table

25 HP/1750 rpm/284TC Frame Motor

Approx Output rpm	Exact Ratio	Actual Output Torque (lb-in)	Service Factor	Overhung Load (lb)	Helical Bevel Gearmotor Less Motor Inch Dimensioned		Helical Bevel With TA Taper Bushing Gearmotor Less Motor Inch Dimensioned	
					Drive Designation	Part No.	Drive Designation	Part No.
218	8.03	6869	3.10	7030	09UBBQ3A8.0A_F	4762799	09UBBJ3A8.0A_F	4765212
181	9.68	8255	3.10	7185	10.	4762803	10.	4765216
158	11.06	9492	2.62	7244	11.	4762807	11.	4765220
141	12.40	10650	2.46	7334	12.	4762811	12.	4765224
131	13.33	11404	2.62	7424	14.	4762815	14.	4765228
117	14.94	12795	2.46	7275	16.	4762819	16.	4765232
98	17.93	15371	1.94	7229	18.	4762823	18.	4765236
87	20.03	17160	1.78	7262	20.	4762827	20.	4765240
81	21.61	18496	1.90	7280	22.	4762831	22.	4765244
72	24.14	20663	1.74	7250	25.	4762835	25.	4765248
63	27.78	23850	1.37	7331	28.	4762839	28.	4765252
55	31.67	27185	1.22	7643	32.	4762843	32.	4765256
52	33.47	28594	1.29	7643	36.	4762847	36.	4765260
46	38.16	32660	1.13	7643	40.	4762851	40.	4765264
39	44.89	38431	0.86	7643	45.	4762857	45.	4765270
87	20.05	17233	3.56	11217	10UBBQ3A20.A_F	4763708	10UBBJ3A20.A_F	4765368
78	22.35	19172	3.32	11217	22.	4763712	22.	4765372
73	24.13	20711	3.08	11052	25.	4763716	25.	4765376
60	29.24	25143	2.53	11040	28.	4763720	28.	4765380
53	33.10	28459	2.24	10914	32.	4763724	32.	4765384
50	35.19	30197	2.11	10937	36.	4763728	36.	4765388
44	39.84	34200	1.86	11087	40.	4763732	40.	4765392
39	45.37	39038	1.63	10948	45.	4763738	45.	4765398
35	50.41	43312	1.47	11184	50.	4763744	50.	4765404
32	54.61	46722	1.36	11172	56.	4763750	56.	4765410
29	60.68	52050	1.22	11165	63.	4763756	63.	4765416
24	71.89	61810	1.03	11148	71.	4763762	71.	4765422
21	82.83	71063	0.90	11128	80.	4763768	80.	4765428
53	32.83	28295	3.76	16276	12UBBQ3A32.A_F	4763874	12UBBJ3A32.A_F	4765534
50	34.93	29961	3.60	16276	36.	4763880	36.	4765540
44	39.55	33952	3.18	16270	40.	4763886	40.	4765546
37	46.81	40175	2.64	16231	45.	4763894	45.	4765554
33	52.76	45323	2.34	16267	50.	4763902	50.	4765562
31	56.39	48282	2.24	16257	56.	4763910	56.	4765570
28	63.57	54416	1.98	16253	63.	4763918	63.	4765578
23	74.62	63686	1.67	16243	71.	4763926	71.	4765586
21	83.10	70991	1.50	16231	80.	4763934	80.	4765594
19	89.89	76554	1.41	16219	90.	4763942	90.	4765602
17	100.12	85313	1.27	16208	100	4763950	100	4765610
15	113.79	97090	1.09	16191	112	4763958	112	4765618
14	121.06	103699	1.02	16179	125	4763964	125	4765624
13	137.09	117057	0.92	16186	140	4763970	140	4765630

Motors are available from Falk or Falk Distributors.

25 HP/284TC Motor Falk Part No. 1940406 Conforms to the following specifications:

C Face motor less base, TEFC, 1750 rpm, 208–230/460 Volts, 3 Phase, 60 Hz, NEMA B, 1.15 Service Factor.

Motors meeting other specifications are available upon request.

UB – Gearmotor Selection Table

30 HP/1750 rpm/286TC Frame Motor

Approx Output rpm	Exact Ratio	Actual Output Torque (lb-in)	Service Factor	Overhung Load (lb)	Helical Bevel Gearmotor Less Motor Inch Dimensioned		Helical Bevel With TA Taper Bushing Gearmotor Less Motor Inch Dimensioned	
					Drive Designation	Part No.	Drive Designation	Part No.
218	8.03	8243	2.59	6890	09UBBQ3A8.0A_F	4762799	09UBBJ3A8.0A_F	4765212
181	9.68	9906	2.59	7019	10.	4762803	10.	4765216
158	11.06	11391	2.18	7047	11.	4762807	11.	4765220
141	12.40	12780	2.05	7114	12.	4762811	12.	4765224
131	13.33	13685	2.18	7204	14.	4762815	14.	4765228
117	14.94	15354	2.05	7071	16.	4762819	16.	4765232
98	17.93	18445	1.61	6999	18.	4762823	18.	4765236
87	20.03	20592	1.48	7050	20.	4762827	20.	4765240
81	21.61	22195	1.58	7078	22.	4762831	22.	4765244
72	24.14	24796	1.45	7032	25.	4762835	25.	4765248
63	27.78	28620	1.14	7158	28.	4762839	28.	4765252
55	31.67	32622	1.02	7643	32.	4762843	32.	4765256
52	33.47	34313	1.08	7643	36.	4762847	36.	4765260
46	38.16	39192	0.94	7643	40.	4762851	40.	4765264
116	15.11	15576	3.97	10633	10UBBQ3A16.A_F	4763700	10UBBJ3A16.A_F	4765360
94	18.57	19167	3.14	11060	18.	4763704	18.	4765364
87	20.05	20679	2.96	10999	20.	4763708	20.	4765368
78	22.35	23006	2.77	11021	22.	4763712	22.	4765372
73	24.13	24853	2.56	10886	25.	4763716	25.	4765376
60	29.24	30171	2.11	10863	28.	4763720	28.	4765380
53	33.10	34151	1.86	10745	32.	4763724	32.	4765384
50	35.19	36236	1.76	10781	36.	4763728	36.	4765388
44	39.84	41040	1.55	11014	40.	4763732	40.	4765392
39	45.37	46845	1.36	10858	45.	4763738	45.	4765398
35	50.41	51974	1.23	11172	50.	4763744	50.	4765404
32	54.61	56067	1.13	11158	56.	4763750	56.	4765410
29	60.68	62460	1.02	11150	63.	4763756	63.	4765416
24	71.89	74172	0.86	11128	71.	4763762	71.	4765422
60	28.99	29934	3.53	16276	12UBBQ3A28.A_F	4763868	12UBBJ3A28.A_F	4765528
53	32.83	33954	3.13	16114	32.	4763874	32.	4765534
50	34.93	35953	3.00	16139	36.	4763880	36.	4765540
44	39.55	40743	2.65	16263	40.	4763886	40.	4765546
37	46.81	48210	2.20	16186	45.	4763894	45.	4765554
33	52.76	54388	1.95	16259	50.	4763902	50.	4765562
31	56.39	57939	1.87	16247	56.	4763910	56.	4765570
28	63.57	65299	1.65	16240	63.	4763918	63.	4765578
23	74.62	76424	1.39	16226	71.	4763926	71.	4765586
21	83.10	85189	1.25	16216	80.	4763934	80.	4765594
19	89.89	91865	1.18	16201	90.	4763942	90.	4765602
17	100.12	102375	1.06	16186	100	4763950	100	4765610

Motors are available from Falk or Falk Distributors.

30 HP/286TC Motor
Falk Part No. 1940407
Conforms to the following specifications:

C Face motor less base, TEFC, 1750 rpm, 208–230/460 Volts, 3 Phase, 60 Hz, NEMA B, 1.15 Service Factor.

Motors meeting other specifications are available upon request.

UB – Gearmotor Selection Table

40 HP/1750 rpm/324TC Frame Motor

Approx Output rpm	Exact Ratio	Actual Output Torque (lb-in)	Service Factor	Overhung Load (lb)	Helical Bevel Gearmotor Less Motor Inch Dimensioned		Helical Bevel With TA Taper Bushing Gearmotor Less Motor Inch Dimensioned	
					Drive Designation	Part No.	Drive Designation	Part No.
218	8.03	10991	1.94	6609	09UBBQ3A8.0A_G	4762800	09UBBJ3A8.0A_G	4765213
181	9.68	13208	1.94	6687		4762804	10.	4765217
158	11.06	15188	1.64	6654		4762808	11.	4765221
141	12.40	17040	1.54	6676		4762812	12.	4765225
131	13.33	18247	1.64	6766		4762816	14.	4765229
117	14.94	20472	1.54	6662		4762820	16.	4765233
98	17.93	24594	1.21	6539		4762824	18.	4765237
87	20.03	27456	1.11	6627		4762828	20.	4765241
81	21.61	29593	1.19	6675		4762832	22.	4765245
72	24.14	33061	1.09	6595		4762836	25.	4765249
63	27.78	38160	0.86	6811		4762840	28.	4765253
212	8.26	11347	3.18	9486	10UBBQ3A8.0A_G	4763681	10UBBJ3A8.0A_G	4765341
176	9.95	13622	3.18	9711		4763685	10.	4765345
152	11.54	15884	3.10	9823		4763689	11.	4765349
139	12.55	17272	2.98	9913		4763693	12.	4765353
126	13.89	19083	3.10	10071		4763697	14.	4765357
116	15.11	20768	2.98	10251		4763701	16.	4765361
94	18.57	25557	2.36	10580		4763705	18.	4765365
87	20.05	27573	2.22	10562		4763709	20.	4765369
78	22.35	30675	2.08	10630		4763713	22.	4765373
73	24.13	33138	1.92	10554		4763717	25.	4765377
60	29.24	40229	1.58	10509		4763721	28.	4765381
53	33.10	45535	1.40	10408		4763725	32.	4765385
50	35.19	48315	1.32	10469		4763729	36.	4765389
44	39.84	54720	1.17	10868		4763733	40.	4765393
39	45.37	62460	1.02	10678		4763737	45.	4765397
35	50.41	69299	0.92	11150		4763741	50.	4765401
206	8.51	11704	3.80	14634	12UBBQ3A8.0A_G	4763809	12UBBJ3A8.0A_G	4765469
171	10.26	14091	3.80	15061		4763813	10.	4765473
148	11.80	16270	3.80	15286		4763817	11.	4765477
135	12.96	17892	3.80	15466		4763821	12.	4765481
123	14.21	19561	3.80	15736		4763825	14.	4765485
112	15.61	21508	3.80	16028		4763829	16.	4765489
96	18.20	25031	3.80	16275		4763833	18.	4765493
87	20.17	27812	3.60	16275		4763837	20.	4765497
80	21.93	30106	3.58	16275		4763841	22.	4765501
72	24.29	33382	3.23	15938		4763845	25.	4765505
60	28.99	39912	2.65	15866		4763849	28.	4765509
53	32.83	45272	2.34	15790		4763853	32.	4765513
50	34.93	47937	2.25	15866		4763857	36.	4765517
44	39.55	54324	1.99	16251		4763861	40.	4765521
37	46.81	64280	1.65	16096		4763865	45.	4765525
33	52.76	72518	1.47	16242		4763869	50.	4765529
31	56.39	77252	1.40	16227		4763873	56.	4765533
28	63.57	87065	1.24	16214		4763877	63.	4765537
23	74.62	101898	1.04	16190		4763881	71.	4765541
21	83.10	113586	0.94	16186		4763885	80.	4765545

Motors are available from Falk or Falk Distributors.

40 HP/324TC Motor Falk Part No. 1940408

Conforms to the following specifications:

C Face motor less base, TEFC, 1750 rpm, 208–230/460 Volts, 3 Phase, 60 Hz, NEMA B, 1.15 Service Factor.

Motors meeting other specifications are available upon request.

UB – Gearmotor Selection Table

50 HP/1750 rpm/326TC Frame Motor

Approx Output rpm	Exact Ratio	Actual Output Torque (lb-in)	Service Factor	Overhung Load (lb)	Helical Bevel Gearmotor Less Motor Inch Dimensioned		Helical Bevel With TA Taper Bushing Gearmotor Less Motor Inch Dimensioned	
					Drive Designation	Part No.	Drive Designation	Part No.
218	8.03	13693	1.55	6328	09UBBQ3A8.0A_G	4762800	09UBBJ3A8.0A_G	4765213
181	9.68	16454	1.55	6356	10.	4762804	10.	4765217
158	11.06	18921	1.31	6260	11.	4762808	11.	4765221
141	12.40	21229	1.23	6238	12.	4762812	12.	4765225
131	13.33	22732	1.31	6328	14.	4762816	14.	4765229
117	14.94	25503	1.23	6253	16.	4762820	16.	4765233
98	17.93	30638	0.97	6079	18.	4762824	18.	4765237
212	8.26	14136	2.54	9273	10UBBQ3A8.0A_G	4763681	10UBBJ3A8.0A_G	4765341
176	9.95	16970	2.54	9464	10.	4763685	10.	4765345
152	11.54	19787	2.48	9531	11.	4763689	11.	4765349
139	12.55	21517	2.38	9587	12.	4763693	12.	4765353
126	13.89	23773	2.48	9722	14.	4763697	14.	4765357
116	15.11	25872	2.38	9869	16.	4763701	16.	4765361
94	18.57	31838	1.89	10101	18.	4763705	18.	4765365
87	20.05	34349	1.78	10125	20.	4763709	20.	4765369
78	22.35	38214	1.66	10238	22.	4763713	22.	4765373
73	24.13	41282	1.54	10223	25.	4763717	25.	4765377
60	29.24	50115	1.27	10155	28.	4763721	28.	4765381
53	33.10	56725	1.12	10071	32.	4763725	32.	4765385
50	35.19	60190	1.05	10158	36.	4763729	36.	4765389
44	39.84	68169	0.93	10723	40.	4763733	40.	4765393
206	8.51	14581	3.04	14426	12UBBQ3A8.0A_G	4763809	12UBBJ3A8.0A_G	4765469
171	10.26	17555	3.04	14828	10.	4763815	10.	4765475
148	11.80	20269	3.04	15000	11.	4763821	11.	4765481
135	12.96	22290	3.04	15151	12.	4763827	12.	4765487
123	14.21	24369	3.04	15410	14.	4763833	14.	4765493
112	15.61	26794	3.04	15668	16.	4763839	16.	4765499
96	18.20	31183	3.04	15862	18.	4763845	18.	4765505
87	20.17	34648	2.88	15862	20.	4763851	20.	4765511
80	21.93	37505	2.86	15902	22.	4763857	22.	4765517
72	24.29	41586	2.58	15601	25.	4763863	25.	4765523
60	28.99	49721	2.12	15456	28.	4763869	28.	4765529
53	32.83	56398	1.88	15466	32.	4763875	32.	4765535
50	34.93	59719	1.80	15594	36.	4763881	36.	4765541
44	39.55	67675	1.59	16239	40.	4763887	40.	4765547
37	46.81	80078	1.32	16006	45.	4763895	45.	4765555
33	52.76	90340	1.17	16225	50.	4763903	50.	4765563
31	56.39	96238	1.12	16206	56.	4763911	56.	4765571
28	63.57	108463	0.99	16189	63.	4763919	63.	4765579

Motors are available from Falk or Falk Distributors.

50 HP/326TC Motor
Falk Part No. 1940409
Conforms to the following specifications:

C Face motor less base,
TEFC, 1750 rpm,
208–230/460 Volts,
3 Phase, 60 Hz,
NEMA B,
1.15 Service Factor.

Motors meeting other specifications are available upon request.

UB – Gearmotor Selection Table

60 HP/1750 rpm/364TC Frame Motor

Approx Output rpm	Exact Ratio	Actual Output Torque (lb-in)	Service Factor	Overhung Load (lb)	Helical Bevel Gearmotor Less Motor Inch Dimensioned		Helical Bevel With TA Taper Bushing Gearmotor Less Motor Inch Dimensioned	
					Drive Designation	Part No.	Drive Designation	Part No.
206	8.51	17497	2.53	14218	12UBBQ3A8.0A_H	4763810	12UBBJ3A8.0A_H	4765470
171	10.26	21066	2.53	14595	10.	4763816	10.	4765476
148	11.80	24323	2.53	14713	11.	4763822	11.	4765482
135	12.96	26748	2.53	14837	12.	4763828	12.	4765488
123	14.21	29243	2.53	15084	14.	4763834	14.	4765494
112	15.61	32153	2.53	15309	16.	4763840	16.	4765500
96	18.20	37420	2.53	15449	18.	4763846	18.	4765506
87	20.17	41577	2.40	15449	20.	4763852	20.	4765512
80	21.93	45007	2.38	15528	22.	4763858	22.	4765518
72	24.29	49904	2.15	15264	25.	4763864	25.	4765524
60	28.99	59665	1.77	15047	28.	4763870	28.	4765530
53	32.83	67678	1.57	15143	32.	4763876	32.	4765536
50	34.93	71663	1.50	15321	36.	4763882	36.	4765542
44	39.55	81210	1.33	16227	40.	4763888	40.	4765548
37	46.81	96094	1.10	15916	45.	4763896	45.	4765556
33	52.76	108408	0.98	16208	50.	4763904	50.	4765564

Motors are available from Falk or Falk Distributors.

60 HP/364TC Motor
Falk Part No. Consult Falk
Conforms to the following specifications:

C Face motor less base, TEFC, 1750 rpm, 208–230/460 Volts, 3 Phase, 60 Hz, NEMA B, 1.15 Service Factor.

Motors meeting other specifications are available upon request.

75 HP/1750 rpm/365TC Frame Motor

Approx Output rpm	Exact Ratio	Actual Output Torque (lb-in)	Service Factor	Overhung Load (lb)	Helical Bevel Gearmotor Less Motor Inch Dimensioned		Helical Bevel With TA Taper Bushing Gearmotor Less Motor Inch Dimensioned	
					Drive Designation	Part No.	Drive Designation	Part No.
206	8.51	21871	2.03	13907	12UBBQ3A8.0A_H	4763810	12UBBJ3A8.0A_H	4765470
171	10.26	26332	2.03	14245	10.	4763816	10.	4765476
148	11.80	30403	2.03	14283	11.	4763822	11.	4765482
135	12.96	33435	2.03	14365	12.	4763828	12.	4765488
123	14.21	36553	2.03	14595	14.	4763834	14.	4765494
112	15.61	40192	2.03	14769	16.	4763840	16.	4765500
96	18.20	46775	2.03	14830	18.	4763846	18.	4765506
87	20.17	51972	1.92	14830	20.	4763852	20.	4765512
80	21.93	56258	1.91	14967	22.	4763858	22.	4765518
72	24.29	62380	1.72	14758	25.	4763864	25.	4765524
60	28.99	74582	1.41	14432	28.	4763870	28.	4765530
53	32.83	84597	1.25	14657	32.	4763876	32.	4765536
50	34.93	89578	1.20	14912	36.	4763882	36.	4765542
44	39.55	101512	1.06	16208	40.	4763888	40.	4765548
37	46.81	120118	0.88	15781	45.	4763896	45.	4765556

Motors are available from Falk or Falk Distributors.

75 HP/365TC Motor
Falk Part No. Consult Falk
Conforms to the following specifications:

C Face motor less base, TEFC, 1750 rpm, 208–230/460 Volts, 3 Phase, 60 Hz, NEMA B, 1.15 Service Factor.

Motors meeting other specifications are available upon request.

100 HP/1750 rpm/405TC Frame Motor

Approx Output rpm	Exact Ratio	Actual Output Torque (lb-in)	Service Factor	Overhung Load (lb)	Helical Bevel Gearmotor Less Motor Inch Dimensioned		Helical Bevel With TA Taper Bushing Gearmotor Less Motor Inch Dimensioned	
					Drive Designation	Part No.	Drive Designation	Part No.
206	8.51	28965	1.52	13387	12UBBQ3A8.0A_J	4763811	12UBBJ3A8.0A_J	4765471
171	10.26	34873	1.52	13662	10.	4763817	10.	4765477
148	11.80	40265	1.52	13567	11.	4763823	11.	4765483
135	12.96	44280	1.52	13578	12.	4763829	12.	4765489
123	14.21	48410	1.52	13780	14.	4763835	14.	4765495
112	15.61	53228	1.52	13870	16.	4763841	16.	4765501
96	18.20	61946	1.52	13797	18.	4763847	18.	4765507
87	20.17	68829	1.44	13797	20.	4763853	20.	4765513
80	21.93	74506	1.43	14033	22.	4763859	22.	4765519
72	24.29	82613	1.29	13915	25.	4763865	25.	4765525
60	28.99	98773	1.06	13408	28.	4763871	28.	4765531
53	32.83	112037	0.94	13848	32.	4763877	32.	4765537

Motors are available from Falk or Falk Distributors.

100 HP/405TC Motor
Falk Part No. Consult Falk
Conforms to the following specifications:

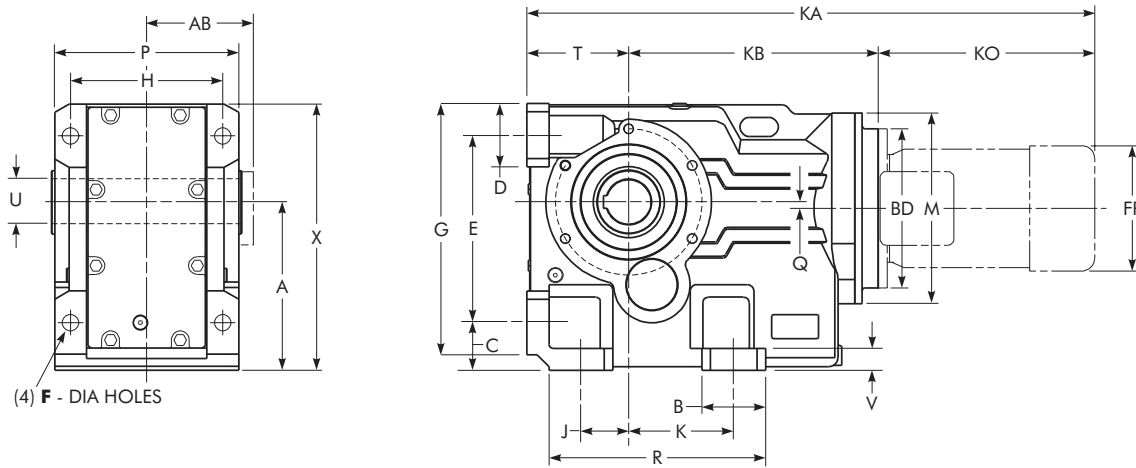
C Face motor less base, TEFC, 1750 rpm, 208–230/460 Volts, 3 Phase, 60 Hz, NEMA B, 1.15 Service Factor.

Motors meeting other specifications are available upon request.

Type UB Triple Reduction Gearmotor

Sizes 03-12 — Dimensions — Inches

BASIC DRIVE HOLLOW LOW SPEED SHAFT INTEGRAL BASE & END MOUNTED FEET



SIZE ★	A	B	C	D	E	F	G	H	J	K	M	P	Q	R	T	Hollow L.S. Shaft		V	X
																U ‡ +.0012 -.0000	Keyway		
03	3.94	1.50	1.26	1.50	4.53	0.43	5.98	3.94	1.10	3.23	5.51	4.72	0.63	5.63	2.48	1.250	.250 x .127 x 1.72	0.43	6.57
04	4.41	1.50	1.46	1.57	5.12	0.43	6.73	4.72	1.38	3.74	5.51	5.71	0.51	6.61	2.80	1.375	.312 x .150 x 5.91	0.63	7.36
05	5.20	1.57	1.77	1.57	5.91	0.55	7.56	5.12	1.18	3.94	7.09	6.18	0.20	6.69	3.15	1.500	.375 x .175 x 6.54	0.59	8.54
06	5.51	2.17	1.77	1.89	6.30	0.55	8.19	5.51	1.18	3.54	7.09	6.69	0.51	6.93	3.54	1.500	.375 x .175 x 7.09	0.79	9.17
07	7.09	2.36	2.17	2.17	7.87	0.71	10.35	6.50	1.57	4.34	8.35	7.87	0.98	8.27	4.41	2.000	.500 x .230 x 8.27	1.06	11.34
08	8.35	2.99	2.76	2.99	9.17	0.91	12.17	7.09	2.17	4.92	9.84	9.06	0.59	10.08	5.20	2.375	.625 x .281 x 9.45	1.18	13.43
09	10.43	3.94	2.95	3.94	11.61	1.06	15.55	9.45	2.95	6.50	11.81	11.42	0.39	13.39	6.30	2.750	.625 x .287 x 11.81	1.38	16.54
10	12.40	4.33	3.74	4.53	14.17	1.34	17.91	10.63	3.74	7.28	14.17	13.39	1.61	15.35	7.87	3.250	.750 x .340 x 13.78	1.57	19.88
12	14.76	4.72	4.33	4.72	16.54	1.54	21.26	12.99	4.53	9.25	15.75	15.75	2.56	18.50	8.86	4.000	1.000 x .445 x 16.14	1.77	23.23

★ Refer to Page 6 for General Information and Reference Notes.
‡ Sizes 10 & 12 tolerance is +.0014, -.0000.

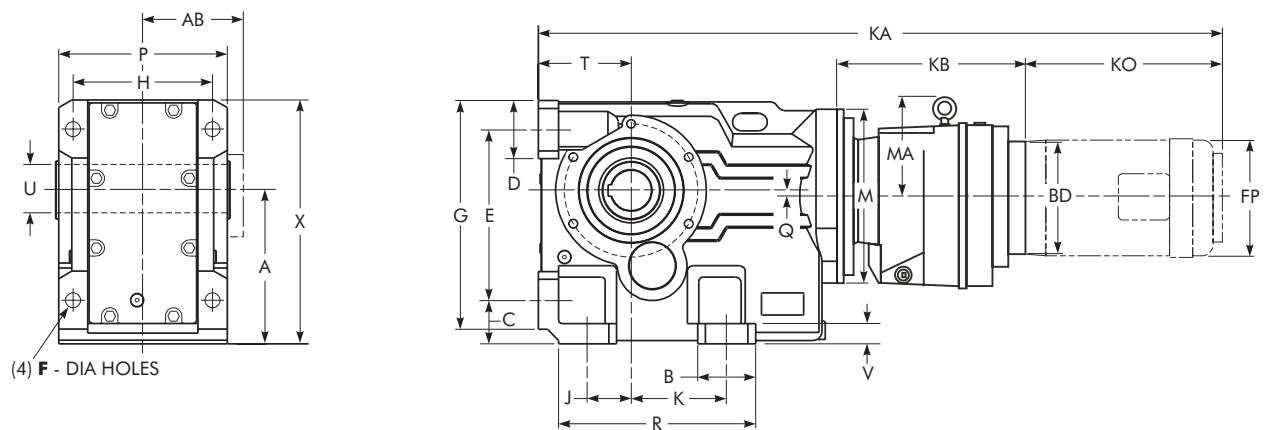
Typical NEMA Motor Dimensions ★

FRAME SIZE	DRIVE SIZE																					
	All Sizes				03		04		05		06		07		08		09		10		12	
	AB	BD	FP	KO (Max)	KA (Max)	KB	KA (Max)	KB	KA (Max)	KB	KA (Max)	KB	KA (Max)	KB	KA (Max)	KB	KA (Max)	KB	KA (Max)	KB	KA (Max)	KB
56C	5.25	6.50	7.19	12.00	22.56	8.08	23.67	8.87	25.11	9.96	25.90	10.36	28.34	11.93	32.32	15.12
143TC/145TC	5.25	6.50	7.19	12.06	22.62	8.08	23.73	8.87	25.17	9.96	25.96	10.36	28.40	11.93	32.38	15.12
182TC/184TC	5.88	9.00	8.50	15.44	26.42	8.50	27.53	9.29	30.06	11.47	30.85	11.87	32.58	12.73	35.76	15.12	38.24	16.51	42.32	19.01	47.05	22.75
213TC/215TC	7.38	9.00	10.19	16.31	30.93	11.47	31.72	11.87	33.45	12.73	36.63	15.12	39.12	16.51	43.19	19.01	47.92	22.75
254TC/256TC	8.94	9.13	12.50	19.63	36.77	12.73	39.95	15.12	43.81	17.88	47.69	20.19	51.24	22.75
284TC/286TC	13.13	11.19	15.56	23.19	47.49	18.00	51.37	20.31	54.92	22.87
324TC/326TC	14.13	13.38	16.94	25.25	50.18	18.63	54.06	20.94	57.61	23.50
364TC/365TC	15.06	13.38	19.00	26.93	65.99	30.20
404TC/405TC	18.00	13.38	20.63	29.88	70.31	31.57

Type UB Quintuple Reduction Gearmotor

Sizes 03-12 — Dimensions – Inches

BASIC DRIVE HOLLOW LOW SPEED SHAFT INTEGRAL BASE & END MOUNTED FEET



SIZE ★	A	B	C	D	E	F	G	H	J	K	M	MA	P	Q	R	T	Hollow L.S. Shaft		V	X
																	U † + .0012 - .0000	Keyway		
03	3.94	1.50	1.26	1.50	4.53	0.43	5.98	3.94	1.10	3.23	5.51	...	4.72	0.63	5.63	2.48	1.250	.250 x .127 x 1.72	0.43	6.57
04	4.41	1.50	1.46	1.57	5.12	0.43	6.73	4.72	1.38	3.74	5.51	...	5.71	0.51	6.61	2.80	1.375	.312 x .150 x 5.91	0.63	7.36
05	5.20	1.57	1.77	1.57	5.91	0.55	7.56	5.12	1.18	3.94	7.09	...	6.18	0.20	6.69	3.15	1.500	.375 x .175 x 6.54	0.59	8.54
06	5.51	2.17	1.77	1.89	6.30	0.55	8.19	5.51	1.18	3.54	7.09	...	6.69	0.51	6.93	3.54	1.500	.375 x .175 x 7.09	0.79	9.17
07	7.09	2.36	2.17	2.17	7.87	0.71	10.35	6.50	1.57	4.34	8.35	...	7.87	0.98	8.27	4.41	2.000	.500 x .230 x 8.27	1.06	11.34
08	8.35	2.99	2.76	2.99	9.17	0.91	12.17	7.09	2.17	4.92	9.84	...	9.06	0.59	10.08	5.20	2.375	.625 x .281 x 9.45	1.18	13.43
09	10.43	3.94	2.95	3.94	11.61	1.06	15.55	9.45	2.95	6.50	11.81	...	11.42	0.39	13.39	6.30	2.750	.625 x .287 x 11.81	1.38	16.54
10	12.40	4.33	3.74	4.53	14.17	1.34	17.91	10.63	3.74	7.28	14.17	6.10	13.39	1.61	15.35	7.87	3.250	.750 x .340 x 13.78	1.57	19.88
12	14.76	4.72	4.33	4.72	16.54	1.54	21.26	12.99	4.53	9.25	15.75	6.10	15.75	2.56	18.50	8.86	4.000	1.000 x .445 x 16.14	1.77	23.23

★ Refer to Page 6 for General Information and Reference Notes.
† Size s 10 & 12 tolerance is +.0014, -.0000.

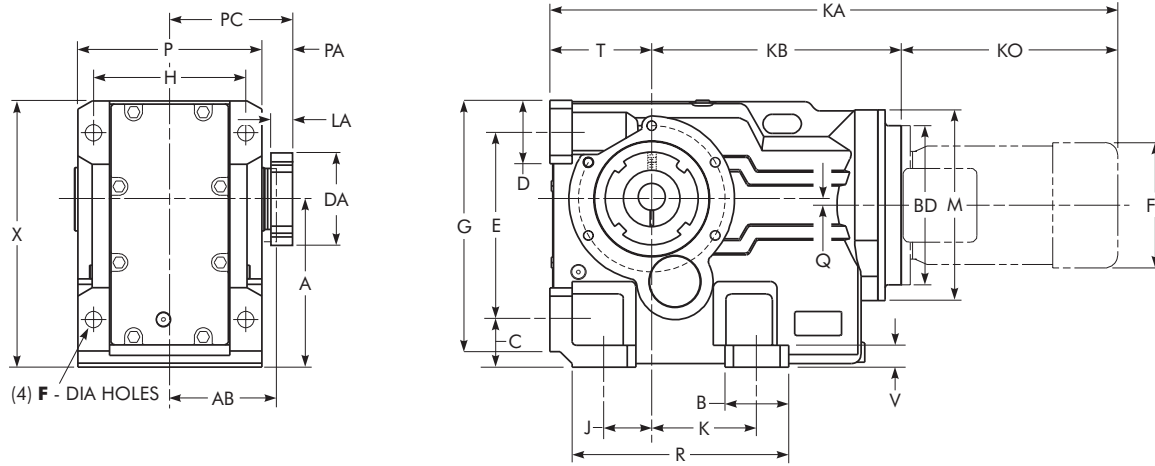
Typical NEMA Motor Dimensions ★

Frame Size	DRIVE SIZE																					
	All Sizes			03		04		05		06		07		08		09		10		12		
	AB	BD	FP	KO (Max)	KA (Max)	KB	KA (Max)	KB	KA (Max)	KB	KA (Max)	KB	KA (Max)	KB	KA (Max)	KB	KA (Max)	KB	KA (Max)	KB	KA (Max)	KB
56C	5.25	6.50	7.19	12.00	29.89	7.14	31.00	7.14	33.62	7.96	34.41	7.96	36.65	7.96	41.18	9.14	43.70	9.14	49.52	11.15	54.51	11.15
143TC/145TC	5.25	6.50	7.19	12.06	29.95	7.14	31.06	7.14	33.68	7.96	34.47	7.96	36.71	7.96	41.18	9.14	43.76	9.14	49.58	11.15	54.57	11.15
182TC/184TC	5.88	9.00	8.50	15.44	33.75	7.56	34.86	7.56	37.48	8.38	38.27	8.38	40.51	8.38	46.13	10.65	48.65	10.65	53.76	11.95	58.75	11.95
213TC/215TC	7.38	9.00	10.19	16.31	54.63	11.95	59.62	11.95
254TC/256TC	8.94	9.13	12.50	19.63	57.95	11.95	62.94	11.95

Type UB Triple Reduction Gearmotor

Sizes 05-12 — Dimensions — Inches

BASIC DRIVE WITH TA TAPER BUSHING INTEGRAL BASE & END MOUNTED FEET



SIZE ★	A	B	C	D	DA	E	F	G	H	J	K	LA	M	P	PA	PC	Q	R	T	Hollow L.S. Shaft	V	X
05	5.20	1.57	1.77	1.57	3.31	5.91	0.55	7.56	5.12	1.18	3.94	1.26	7.09	6.18	1.61	3.27	0.20	6.69	3.15	Refer to TA Taper Bushing Dimensions on Pages 44 & 45	0.59	8.54
06	5.51	2.17	1.77	1.89	4.06	6.30	0.55	8.19	5.51	1.18	3.54	1.46	7.09	6.69	1.77	3.54	0.51	6.93	3.54		0.79	9.17
07	7.09	2.36	2.17	2.17	4.31	7.87	0.71	10.35	6.50	1.57	4.34	1.46	8.35	7.87	1.61	4.13	0.98	8.27	4.41		1.06	11.34
08	8.35	2.99	2.76	2.99	4.81	9.17	0.91	12.17	7.09	2.17	4.92	1.46	9.84	9.06	2.03	4.72	0.59	10.08	5.20		1.18	13.43
09	10.43	3.94	2.95	3.94	5.68	11.61	1.06	15.55	9.45	2.95	6.50	1.76	11.81	11.42	2.24	5.91	0.39	13.39	6.30		1.38	16.54
10	12.40	4.33	3.74	4.53	6.06	14.17	1.34	17.91	10.63	3.74	7.28	1.76	14.17	13.39	2.41	6.89	1.61	15.35	7.87	1.57	19.88	
12	14.76	4.72	4.33	4.72	6.81	16.54	1.54	21.26	12.99	4.53	9.25	1.80	15.75	15.75	2.46	8.07	2.56	18.50	8.86	1.77	23.23	

★ Refer to Page 6 for General Information and Reference Notes.

‡ Sizes 10 & 12 tolerance is +.0014, -.0000.

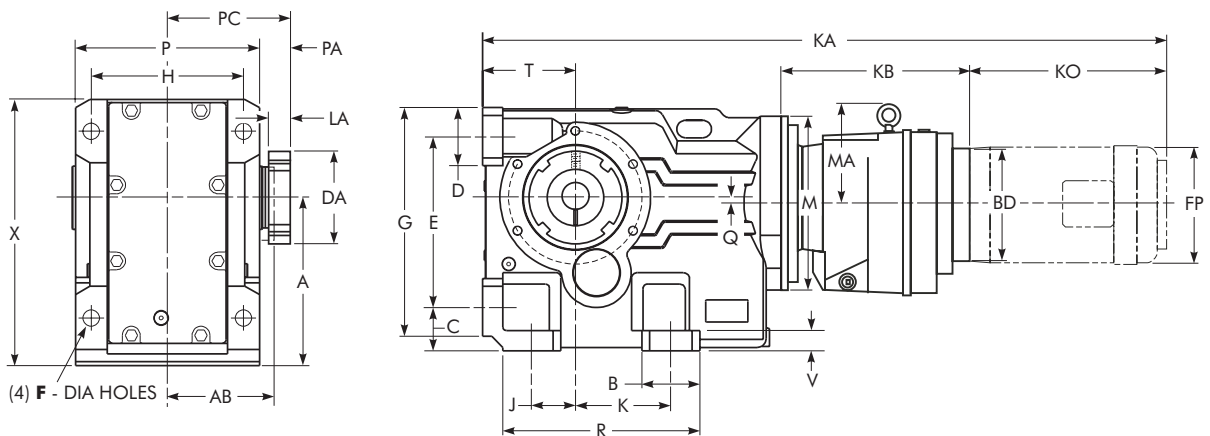
Typical NEMA Motor Dimensions ★

FRAME SIZE	DRIVE SIZE																	
	All Sizes				05		06		07		08		09		10		12	
	AB	BD	FP	KO (Max)	KA (Max)	KB	KA (Max)	KB	KA (Max)	KB	KA (Max)	KB	KA (Max)	KB	KA (Max)	KB	KA (Max)	KB
56C	5.25	6.50	7.19	12.00	25.11	9.96	25.90	10.36	28.34	11.93	32.32	15.12
143TC/145TC	5.25	6.50	7.19	12.06	25.17	9.96	25.96	10.36	28.40	11.93	32.38	15.12
182TC/184TC	5.88	9.00	8.50	15.44	30.06	11.47	30.85	11.87	32.58	12.73	35.76	15.12	38.24	16.51	42.32	19.01	47.05	22.75
213TC/215TC	7.38	9.00	10.19	16.31	30.93	11.47	31.72	11.87	33.45	12.73	36.63	15.12	39.12	16.51	43.19	19.01	47.92	22.75
254TC/256TC	8.94	9.13	12.50	19.63	36.77	12.73	39.95	15.12	43.81	17.88	47.69	20.19	51.24	22.75
284TC/286TC	13.13	11.19	15.56	23.19	47.49	18.00	51.37	20.31	54.92	22.87
324TC/326TC	14.13	13.38	16.94	25.25	50.18	18.63	54.06	20.94	57.61	23.50
364TC/365TC	15.06	13.38	19.00	26.93	65.99	30.20
404TC/405TC	18.00	13.38	20.63	29.88	70.31	31.57

Type UB Quintuple Reduction Gearmotor

Sizes 05-12 — Dimensions – Inches

BASIC DRIVE WITH TA TAPER BUSHING INTEGRAL BASE & END MOUNTED FEET



SIZE ★	A	B	C	D	DA	E	F	G	H	J	K	LA	M	MA	P	PA	PC	Q	R	T	Hollow L.S. Shaft	V	X
05	5.20	1.57	1.77	1.57	3.31	5.91	0.55	7.56	5.12	1.18	3.94	1.26	7.09	...	6.18	1.61	3.27	0.20	6.69	3.15	Refer to TA Taper Bushing Dimensions on Pages 44 & 45	0.59	8.54
06	5.51	2.17	1.77	1.89	4.06	6.30	0.55	8.19	5.51	1.18	3.54	1.46	7.09	...	6.69	1.77	3.54	0.51	6.93	3.54		0.79	9.17
07	7.09	2.36	2.17	2.17	4.31	7.87	0.71	10.35	6.50	1.57	4.34	1.46	8.35	...	7.87	1.61	4.13	0.98	8.27	4.41		1.06	11.34
08	8.35	2.99	2.76	2.99	4.81	9.17	0.91	12.17	7.09	2.17	4.92	1.46	9.84	...	9.06	2.03	4.72	0.59	10.08	5.20		1.18	13.43
09	10.43	3.94	2.95	3.94	5.68	11.61	1.06	15.55	9.45	2.95	6.50	1.76	11.81	...	11.42	2.24	5.91	0.39	13.39	6.30		1.38	16.54
10	12.40	4.33	3.74	4.53	6.06	14.17	1.34	17.91	10.63	3.74	7.28	1.76	14.17	6.10	13.39	2.41	6.89	1.61	15.35	7.87		1.57	19.88
12	14.76	4.72	4.33	4.72	6.81	16.54	1.54	21.26	12.99	4.53	9.25	1.80	15.75	6.10	15.75	2.46	8.07	2.56	18.50	8.86	1.77	23.23	

★ Refer to Page 6 for General Information and Reference Notes.

† Size s 10 & 12 tolerance is +.0014, -.0000.

Typical NEMA Motor Dimensions ★

Frame Size	DRIVE SIZE																	
	All Sizes			05		06		07		08		09		10		12		
	AB	BD	FP	KO (Max)	KA (Max)	KB	KA (Max)	KB	KA (Max)	KB	KA (Max)	KB	KA (Max)	KB	KA (Max)	KB		
56C	5.25	6.50	7.19	12.00	33.62	7.96	34.41	7.96	36.65	7.96	41.18	9.14	43.70	9.14	49.52	11.15	54.51	11.15
143TC/145TC	5.25	6.50	7.19	12.06	33.68	7.96	34.47	7.96	36.71	7.96	41.18	9.14	43.76	9.14	49.58	11.15	54.57	11.15
182TC/184TC	5.88	9.00	8.50	15.44	37.48	8.38	38.27	8.38	40.51	8.38	46.13	10.65	48.65	10.65	53.76	11.95	58.75	11.95
213TC/215TC	7.38	9.00	10.19	16.31	54.63	11.95	59.62	11.95
254TC/256TC	8.94	9.13	12.50	19.63	57.95	11.95	62.94	11.95

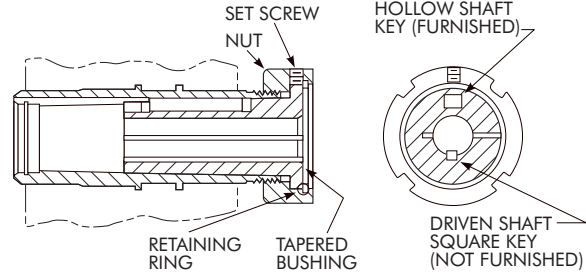
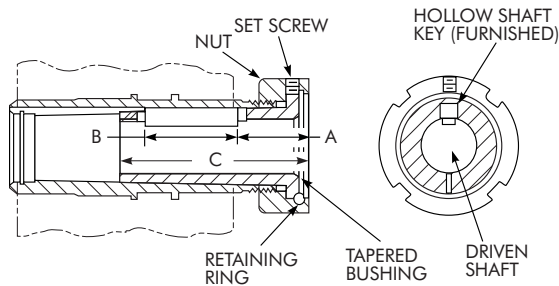
Type UB Helical Bevel Gearmotor and Gear Drive

Sizes 05-07 — Dimensions — Inches

TA TAPER BUSHING

Style No. 1 — Thin-wall bushing

Style No. 2 — Thick wall bushing



DRIVE SIZE	A	B	C Minimum Shaft Engagement	Bushing Size	Part Number ‡	Style No.	Driven Shaft Keyway Min Key Length ●	Wt Lb
05UB	1.89	2.50	5.00	BU4107J/05UW-1.000	0769061	2	1/4 x 1/8 x 2 1/2	2.1
				BU4107J/05UW-1.125	0769062	2	1/4 x 1/8 x 2 1/4	1.8
				BU4107J/05UW-1.188	0769063	2	1/4 x 1/8 x 2	1.6
				BU4107J/05UW-1.250	0769064	1	1/4 x 1/8 x 2 1/2	1.5
				BU4107J/05UW-1.375	6720659	1	3/8 x 3/16 x 2 1/2	1.0
				BU4107J/05UW-1.438	0769065	1	3/8 x 3/16 x 2 1/2	1.0
06UB	2.10	2.75	5.55	BU4115J/06UW-1.188	0769077	2	1/4 x 1/8 x 4 1/4	4.3
				BU4115J/06UW-1.250	0769078	2	1/4 x 1/8 x 4	4.1
				BU4115J/06UW-1.438	0769079	2	3/8 x 3/16 x 2 1/4	3.5
				BU4115J/06UW-1.500	0769080	2	3/8 x 3/16 x 2 1/4	3.3
				BU4115J/06UW-1.625	0769081	1	3/8 x 3/16 x 2 3/4	2.9
				BU4115J/06UW-1.688	0769082	1	3/8 x 3/16 x 2 3/4	2.7
				BU4115J/06UW-1.750	0769083	1	3/8 x 3/16 x 2 3/4	2.4
				BU4115J/06UW-1.938	0769084	1	1/2 x 1/4 x 2 3/4	1.7
07UB	1.56	3.25	5.53	BU4203J/07UW-1.438	0769117	2	3/8 x 3/16 x 3 1/4	5.0
				BU4203J/07UW-1.500	0769118	2	3/8 x 3/16 x 3 1/4	5.1
				BU4203J/07UW-1.625	0769119	2	3/8 x 3/16 x 3	4.6
				BU4203J/07UW-1.688	0769120	2	3/8 x 3/16 x 2 3/4	4.4
				BU4203J/07UW-1.750	0769121	2	3/8 x 3/16 x 2 3/4	4.4
				BU4203J/07UW-1.875	0769122	1	1/2 x 1/4 x 3 1/4	3.6
				BU4203J/07UW-1.938	0769123	1	1/2 x 1/4 x 3 1/4	3.3
				BU4203J/07UW-2.000	0769124	1	1/2 x 1/4 x 3 1/4	3.0
				BU4203J/07UW-2.188	0769125	1	1/2 x 1/4 x 3 1/4	3.0

‡ Consists of bushing, drive key, nut, retaining ring and setscrew.
 ● Check strength of driven shaft and unfurnished key.

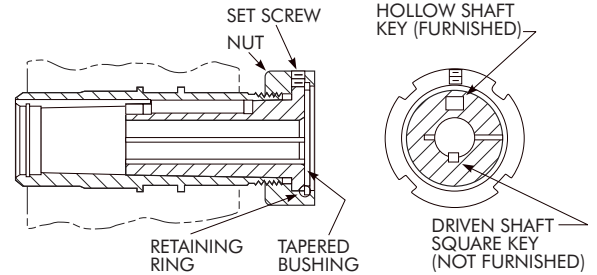
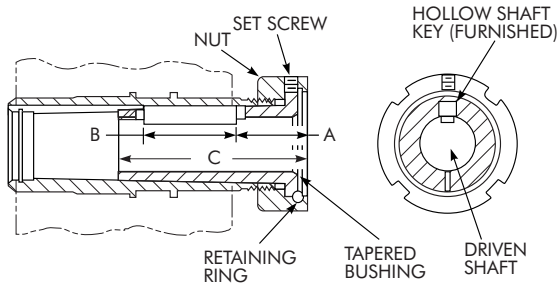
Type UB Helical Bevel Gearmotor and Gear Drive

Sizes 08-12 — Dimensions — Inches

TA TAPER BUSHING

Style No. 1 — Thin-wall bushing

Style No. 2 — Thick wall bushing



DRIVE SIZE	A	B	C Minimum Shaft Engagement	Bushing Size	Part Number ‡	Style No.	Driven Shaft Keyway Min Key Length •	Wt Lb
08UB	1.24	4.25	6.11	BU4207J/08UB-1.375	0769095	2	3/16 x 5/32 x 5 3/4	7.6
				BU4207J/08UB-1.438	0769096	2	3/8 x 3/16 x 5 3/4	7.3
				BU4207J/08UB-1.500	0769097	2	3/8 x 3/16 x 5 3/4	7.1
				BU4207J/08UB-1.625	0765848	2	3/8 x 3/16 x 5 3/4	6.7
				BU4207J/08UB-1.688	0769098	2	3/8 x 3/16 x 5 1/4	6.4
				BU4207J/08UB-1.750	0769099	2	3/8 x 3/16 x 5 1/4	6.1
				BU4207J/08UB-1.875	0769100	2	1/2 x 1/4 x 3 1/2	5.6
				BU4207J/08UB-1.938	0769101	1	1/2 x 1/4 x 4 1/4	5.3
				BU4207J/08UB-2.000	0769102	1	1/2 x 1/4 x 4 1/4	5.0
				BU4207J/08UB-2.188	0769103	1	1/2 x 1/4 x 4 1/4	4.4
				BU4207J/08UB-2.250	0769104	1	1/2 x 1/4 x 4 1/4	3.7
				BU4207J/08UB-2.375	2113886	1	5/8 x 5/16 x 4 1/4	3.0
				BU4207J/08UB-2.438	0769105	1	5/8 x 5/16 x 4 1/4	2.6
				09UB	2.09	3.50	7.08	BU4215J/09UB-1.938
BU4215J/09UB-2.000	0769138	2	1/2 x 1/4 x 4 3/4					11.1
BU4215J/09UB-2.188	0769139	2	1/2 x 1/4 x 4 1/2					9.9
BU4215J/09UB-2.250	0769140	2	1/2 x 1/4 x 4 1/4					9.5
BU4215J/09UB-2.438	0769141	1	5/8 x 5/16 x 3 1/2					8.3
BU4215J/09UB-2.500	0769142	1	5/8 x 5/16 x 3 1/2					7.8
BU4215J/09UB-2.688	0769143	1	5/8 x 5/16 x 3 1/2					6.5
BU4215J/09UB-2.750	2116065	1	5/8 x 5/16 x 3 1/2					5.5
BU4215J/09UB-2.938	0769144	1	3/4 x 3/8 x 3 1/2					4.5
10UB	1.59	5.00	7.39					BU4307/10UB-2.000
				BU4307/10UB-2.188	0769156	2	1/2 x 1/4 x 7	16.6
				BU4307/10UB-2.250	0769157	2	1/2 x 1/4 x 7	16.2
				BU4307/10UB-2.438	0769158	2	5/8 x 5/16 x 5 1/2	14.9
				BU4307/10UB-2.500	0769159	2	5/8 x 5/16 x 5	14.4
				BU4307/10UB-2.688	0769160	1	5/8 x 5/16 x 5	13.0
				BU4307/10UB-2.938	0769161	1	3/4 x 3/8 x 5	10.9
				BU4307/10UB-3.000	0769162	1	3/4 x 3/8 x 5	10.3
				BU4307/10UB-3.188	0769163	1	3/4 x 3/8 x 5	8.6
				BU4307/10UB-3.438	0769164	1	7/8 x 7/16 x 5	6.1
12UB	1.88	5.00	7.92	BU4315/12UB-2.438	0785778	2	5/8 x 5/16 x 7 1/2	23.6
				BU4315/12UB-2.500	0785779	2	5/8 x 5/16 x 7 1/2	23.1
				BU4315/12UB-2.688	0785780	2	5/8 x 5/16 x 7 1/2	21.6
				BU4315/12UB-2.938	0785781	2	3/4 x 3/8 x 5 1/2	19.4
				BU4315/12UB-3.000	0785782	2	3/4 x 3/8 x 5 1/2	18.8
				BU4315/12UB-3.438	0785783	1	7/8 x 7/16 x 5	14.3
				BU4315/12UB-3.938	0785784	1	1 x 1/2 x 5	8.4

‡ Consists of bushing, drive key, nut, retaining ring and setscrew.

• Check strength of driven shaft and unfurnished key.

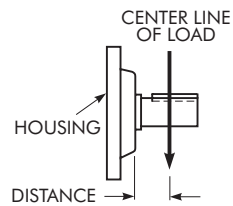
UB – Overhung Loads

High & Low Speed Shaft

Overhung load is imposed upon a shaft when a pinion, sprocket or sheave is used as a power take-off. The magnitude of the load varies with the type of take-off and its proximity to the shaft bearing. Calculate the load and check the result against the tabulated overhung load rating.

OVERHUNG LOAD FORMULA:

$$\text{Overhung Load} = \frac{126,000 \times \text{hp} \times F_c \times L_f}{\text{Pitch Dia} \times \text{rpm}}$$



F_c = Load Connection Factor.

- Sprocket or Timing Belt . . . 1.00
- Machined Pinion & Gear . . . 1.25
- V-Belt 1.50
- Flat Belt 2.50

L_f = Load Location Factor.

For overhung loads applied at the midpoint of the usable shaft extension, L_f = 1.00

Locate the centerline of the load as close to the drive housing as practical to minimize the overhung load and increase bearing life. The above overhung load formula employs the transmitted horsepower, without Service Factor, providing the overloads, starting loads, and brake capacities do not exceed the amounts listed in Basic Information on Page 5.

Consult Falk for Higher Overhung Load Ratings — In many cases, overhung load capacity in excess of that published is available. Published ratings are based on a combination of the most unfavorable conditions of rotation, speed, direction of applied load, and drive loading. If the actual load should exceed the published capacity, refer full details to Falk; provide complete application information, as well as direction of rotation, location and direction of applied load.

Gearmotor Overhung Load Capacity — The overhung load capacity at the low speed shaft is found in the Selection Tables on Pages 18 through 39.

Gear Drive Overhung Load Capacity — The overhung load capacity at the high speed shaft and low speed shaft are found on Page 47.

Example:

Gear Drive Size = 08UBAQ3A40.N_, exact ratio of 40.92:1 (with single ended output shaft).

Motor = 7 1/2 hp at 1750 rpm.

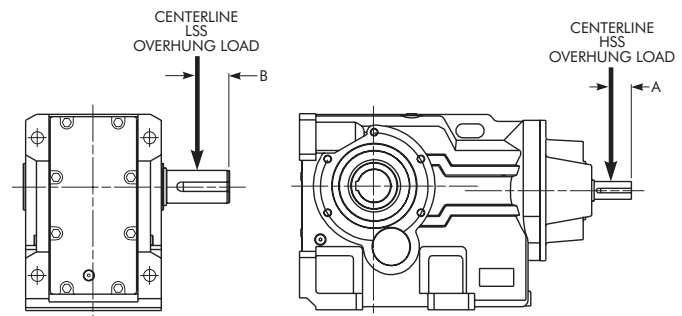
Low speed shaft rpm = 1750 ÷ 40.92 = 42.77 rpm.

20" diameter sprocket mounted on low speed shaft. Centerline of sprocket overhung load is positioned at B = 1.845 inches.

Calculate the overhung load as follows:

$$\text{OHL} = \frac{126,000 \times 7.50 \times 1.00 \times 1.00}{20 \times 42.77} = 1105 \text{ lb}$$

Allowable OHL on Page 47 is 1390 lb and is satisfactory for this selection.



Usable Shaft Extension Midpoint

DRIVE SIZE	No. of Reductions	HSS A (in)	LSS B (in)
03	3	0.79	0.93
03	5	0.79	0.93
04	3	0.79	1.10
04	5	0.79	1.10
05	3	0.79	1.30
05	5	0.79	1.30
06	3	0.79	1.50
06	5	0.79	1.50
07	3	0.98	1.87
07	5	0.79	1.87
08	3	1.18	1.97
08	5	0.79	1.97
09	3	1.57	2.17
09	5	0.79	2.17
10	3	2.17	2.75
10	5	0.98	2.75
12	3	2.17	3.54
12	5	0.98	3.54

UB – Gear Drive HSS Overhung Load Ratings/Pounds

Triple & Quintuple Reductions

Consult Falk for higher overhung load ratings

Reduction	Ratio	DRIVE SIZE ★								
		03	04	05	06	07	08	09	10	12
Triple	All Ratios	315	325	270	230	450	670	760	975	2600
Quintuple	All Ratios	315	315	325	325	325	325	325	365	365

★ Published ratings are based on a combination of the most unfavorable conditions of loading. For higher ratings, refer full data to Falk.

UB – Gearmotor & Gear Drive LSS Overhung Load Ratings/Pounds

Triple & Quintuple Reductions

Consult Falk for higher overhung load ratings

Approx L.S. Shaft rpm	DRIVE SIZE								
	03	04	05	06	07	08	09	10	12
220	630	772	556	855	1125	1190	5535	7200	12150
145	720	878	619	889	1125	1190	5749	7200	12150
80	844	1035	738	1091	1301	1190	6445	8650	12150
50	1035	1249	900	1395	1553	1440	7650	9700	13793
30	1200	1350	1215	1800	1913	1845	7650	9700	13793
15 & Under †	1350	1350	1688	1800	3375	3389	7650	9700	13793

UB – Gearmotor & Gear Drive LSS Thrust Loads/Pounds

Triple & Quintuple Reductions

Axial Thrust Capacities/Inward or Outward

Thrust capacities tabulated refer to output shafts, and are calculated without any overhung loads being applied. In cases where combined axial thrusts and overhung loads are to be applied, refer to Falk.

Approx L.S. Shaft rpm	DRIVE SIZE ‡								
	03	04	05	06	07	08	09	10	12
220	1078	1553	1287	1856	2835	2311	7520	9630	13840
145	1078	1553	1575	2196	2655	2295	7520	9630	13840
80	1078	1553	1755	2295	2948	2448	7520	9630	13840
50	1078	1553	1755	2295	3128	3357	7520	9630	13840
30	1078	1553	1755	2295	3353	3870	7520	9630	13840
15 & Under ‡	1078	1553	1755	2295	3555	3870	7520	9630	13840

‡ The last thrust capacity in each Drive Size column applies to all lower output speeds for that drive.

UB – Gearmotor & Gear Drive Moments of Inertia

Triple Reduction

WR² (lb-in²) Referred to H.S. Shaft

Ratio	DRIVE SIZE								
	03	04	05	06	07	08	09	10	12
8.0	0.68	1.71	4.29	4.77	10.55	29.56	81.90	183.83	427.79
10.	81.06	178.93	414.74
11.	0.49	1.10	2.87	2.93	6.50	18.35	52.73	112.11	251.40
12.	0.43	0.98	2.54	2.52	5.56	16.05	45.77	99.67	217.31
14.	0.39	0.85	2.25	2.18	4.99	14.07	52.29	109.59	244.60
16.	45.42	97.54	211.68
18.	0.32	0.65	1.80	1.66	3.57	10.44	30.61	59.69	132.46
20.	0.31	0.57	1.61	1.46	3.11	9.20	26.73	53.29	115.33
22.	30.44	58.72	129.60
25.	0.27	0.48	1.40	1.24	2.59	7.45	26.60	52.45	113.01
28.	0.25	0.43	1.25	1.11	2.34	6.50	19.69	35.09	76.11
32.	0.23	0.39	1.13	0.99	2.02	5.74	17.53	30.31	62.49
36.	0.22	0.36	1.09	0.96	1.94	5.72	19.62	34.70	74.99
40.	0.21	0.33	1.02	0.90	1.66	4.82	17.48	30.00	61.61
45.	0.20	0.29	0.91	0.81	1.51	4.39	13.37	22.86	48.05
50.	0.19	0.28	0.88	0.79	1.37	3.99	12.26	20.51	41.91
56.	13.35	22.70	47.62
63.	0.18	0.24	0.80	0.73	1.25	3.43	12.24	20.38	41.57
71.	0.17	0.22	0.75	0.69	1.15	3.12	10.05	15.68	34.89
80.	0.17	0.21	0.72	0.67	1.10	2.99	9.54	14.33	32.81
90.	10.04	15.62	34.72
100	0.17	0.20	0.68	0.64	1.01	2.71	9.53	14.28	32.67
112	0.16	0.19	0.67	0.64	0.99	2.62	8.43	12.79	28.00
125	0.16	0.18	0.65	0.63	0.96	2.56	8.23	12.18	26.96
140	8.42	12.76	27.93
160	8.23	12.16	26.90

Quintuple Reduction

WR² (lb-in²) Referred to H.S. Shaft

Ratio	DRIVE SIZE								
	03	04	05	06	07	08	09	10	12
125	0.28	0.36	0.89	0.88	0.96	3.39
140	0.25	0.36	0.59	0.58	0.64	3.32
160	0.24	0.35	0.53	0.52	0.57	3.29	3.99	7.95	9.81
200	0.21	0.28	0.45	0.45	0.47	2.20	2.53	5.15	5.88
250	0.20	0.24	0.35	0.35	0.37	1.72	2.20	4.49	6.12
280	0.19	0.25	0.32	0.32	0.33	1.39	2.17	4.11	5.07
320	0.18	0.20	0.28	0.28	0.33	1.37	1.90	4.05	4.59
360	0.17	0.20	0.26	0.26	0.29	1.24	1.50	3.06	3.43
400	0.17	0.19	0.24	0.24	0.26	1.09	1.49	3.03	3.00
450	0.17	0.19	0.23	0.23	0.24	0.99	1.32	2.68	2.93
500	0.17	0.18	0.22	0.21	0.22	0.99	1.16	2.32	2.52
560	0.16	0.17	0.20	0.20	0.20	0.91	1.04	2.13	2.29
630	0.16	0.17	0.19	0.19	0.20	0.84	0.95	1.86	1.98
700	0.16	0.17	0.19	0.19	0.20	0.77	0.94	1.84	1.95
800	0.16	0.17	0.19	0.19	0.20	0.75	0.95	1.85	1.98
900	0.16	0.17	0.17	0.17	0.17	0.75	0.86	1.55	1.62
10C	0.16	0.16	0.17	0.17	0.17	0.70	0.79	1.56	1.63
11C	0.16	0.16	0.17	0.17	0.17	0.70	0.79	1.31	1.62
12C	0.16	0.16	0.18	0.18	0.18	0.70	0.77	1.31	1.35
14C	0.15	0.16	0.17	0.17	0.17	0.67	0.71	1.21	1.25
16C	0.15	0.16	0.17	0.17	0.17	0.67	0.71	1.21	1.24
18C	0.15	0.16	0.17	0.17	0.17	0.66	0.68	1.12	1.15
20C	0.15	0.15	0.17	0.17	0.17	0.67	0.68	1.12	1.14
22C	0.15	0.15	0.17	0.17	0.17	0.66	0.66	1.08	1.10
25C	0.15	0.15	0.16	0.16	0.16	0.63	0.64	1.00	1.01
28C	0.15	0.15	0.17	0.17	0.17	0.66	0.68	1.12	1.14
32C	0.15	0.15	0.16	0.16	0.16	0.63	0.66	1.08	1.09
36C	0.15	0.15	0.16	0.16	0.16	0.63	0.64	1.00	1.01
40C	0.15	0.15	0.16	0.16	0.16	0.63	0.64	1.00	1.01
45C	0.15	0.15	0.16	0.16	0.16	0.63	0.63	0.98	0.99
50C	0.15	0.15	0.16	0.16	0.16	0.63	0.62	0.95	1.01
56C	0.15	0.15	0.16	0.16	0.16	0.62	0.63	0.98	0.99
63C	0.15	0.15	0.16	0.16	0.16	0.62	0.63	0.98	0.99
71C	0.15	0.15	0.16	0.16	0.16	0.62	0.63	0.95	0.99

Values shown in the tables above are referred to the drive high speed shaft. The WR² referred to the hollow (low speed) shaft equals the exact total ratio squared times the H.S. shaft WR².

UB – Gear Drive Horsepower & Torque Ratings

3500 High Speed Shaft rpm/Triple Reduction
(TORQUE IS IN POUND-INCHES AT LOW SPEED SHAFT)

Ratio Code	Approx L.S. Shaft rpm	HORSEPOWER									TORQUE								
		DRIVE SIZE									DRIVE SIZE								
		03	04	05	06	07	08	09	10	12	03	04	05	06	07	08	09	10	12
8.0	438	6.88	13.0	19.5	28.0	42.3	65.7	127	239	304	986	1800	2700	3840	6220	9100	17400	34000	44600
10.	350	127	239	304	21000	40900	53600
11.	318	5.91	11.0	16.2	23.6	39.5	65.7	107	202	304	1150	2140	3180	4550	8090	13000	20300	40300	62000
12.	292	5.42	10.4	15.2	22.2	37.1	65.7	100	193	303	1200	2240	3350	4800	8550	14500	21400	41900	68000
14.	250	5.01	9.66	14.3	20.8	35.4	62.9	107	202	304	1260	2360	3520	5060	8950	15400	24400	48400	74600
16.	219	100	193	303	25700	50300	81800
18.	194	4.23	8.22	12.3	18.0	30.3	54.0	80.9	154	249	1360	2550	3870	5580	10000	17100	24900	49500	78700
20.	175	4.02	7.53	11.3	16.5	28.0	49.4	75.6	147	235	1390	2660	4010	5800	10600	17600	26000	51000	82000
22.	159	80.9	154	249	30000	59500	94600
25.	140	3.40	6.53	9.91	14.6	24.5	41.8	75.6	147	235	1490	2830	4220	6110	11200	18300	31300	61300	98600
28.	125	3.11	6.06	8.94	13.2	22.9	38.0	61.4	116	190	1540	2910	4380	6360	11500	18700	29400	58900	95400
32.	109	2.84	5.52	7.99	11.8	20.6	33.6	55.8	108	171	1610	3010	4560	6630	11900	19200	30500	61700	97500
36.	97	2.64	5.18	7.51	11.0	19.1	30.9	58.7	106	180	1650	3210	4790	6890	12500	19600	33700	64200	108999
40.	88	2.44	4.69	6.97	10.4	17.4	28.7	52.7	93.4	159	1690	3200	4740	6930	12600	19900	34600	64200	108999
45.	78	2.27	4.22	6.12	9.09	15.7	26.0	42.2	81.8	132	1730	3310	4930	7200	13000	20400	32600	64200	106999
50.	70	2.01	3.96	5.82	8.65	14.2	23.5	38.7	73.7	117	1800	3380	5010	7310	13300	20900	33300	64200	106999
56.	63	39.7	68.2	112	37000	64200	108999
63.	56	1.75	3.44	4.92	6.98	12.7	20.2	36.1	61.4	99.5	1870	3520	5260	7310	13800	21700	37300	64200	108999
71.	49	1.56	2.99	4.33	5.92	11.1	18.1	27.6	51.7	83.4	1940	3660	5450	7310	14400	22700	33400	64200	106999
80.	44	1.43	2.73	4.04	5.41	10.4	17.0	24.9	44.9	75.0	1980	3760	5560	7320	14700	23400	33400	64200	106999
90.	39	25.6	43.0	70.6	37300	64200	108999
100	35	0.98	2.22	3.44	4.43	8.76	14.2	23.2	37.4	63.5	1640	3570	5800	7320	14900	23900	37300	64200	108999
112	31	0.74	2.00	3.11	3.97	7.37	13.0	18.2	33.3	54.6	1410	3640	5830	7320	14400	23900	33400	64200	106999
125	28	0.64	1.89	2.56	2.56	5.65	11.3	16.2	31.0	51.3	1380	3910	5370	5260	12200	23900	33400	64200	106999
140	25	16.9	27.7	46.3	37300	64200	108999
160	22	15.0	25.8	43.5	37300	64200	108999

Input mechanical hp rating exceeds thermal hp capacity. See thermal hp capacity on Page 53.

When selecting gear drives by hp method, check required hp (without service factor) against the thermal hp ratings on Page 53.

When selecting gear drives by torque method, convert required torque (without service factor) to hp and check against the thermal hp ratings on Page 53.

3500 High Speed Shaft rpm/Quintuple Reduction
(TORQUE IS IN POUND-INCHES AT LOW SPEED SHAFT)

Ratio Code	Approx L.S. Shaft rpm	HORSEPOWER									TORQUE								
		DRIVE SIZE									DRIVE SIZE								
		03	04	05	06	07	08	09	10	12	03	04	05	06	07	08	09	10	12
125	28	0.911	1.694	2.88	3.67	6.88	10.61	1991	3894	5841	7301	14160	23984
140	25	0.801	1.538	2.39	3.05	6.20	9.69	1991	3894	5841	7301	14160	23984
160	22	0.707	1.337	2.17	2.76	5.63	8.57	13.21	22.48	36.36	1991	3894	5841	7301	14160	23984	36374	64163	107085
200	18	0.553	1.139	1.64	2.09	3.92	6.16	9.40	16.23	23.29	1991	3894	5841	7301	14160	21417	36374	64163	107085
250	14	0.513	0.884	1.29	1.65	3.55	5.48	8.38	14.45	26.25	1991	3894	5841	7301	14160	23984	36374	64163	107085
280	13	0.406	0.801	1.14	1.45	3.12	4.72	7.55	13.14	20.73	1991	3894	5841	7301	14160	23984	36374	64163	107085
320	11	0.358	0.706	1.08	1.37	2.72	4.31	6.72	11.82	18.86	1991	3894	5841	7301	14160	23984	36374	64163	107085
360	9.7	0.314	0.641	0.97	1.24	2.21	3.81	5.88	10.06	16.27	1991	3894	5841	7301	14160	23984	36374	64163	107085
400	8.7	0.282	0.559	0.86	1.09	2.06	3.49	5.29	9.05	14.31	1991	3894	5841	7301	14603	23984	36374	64163	107085
450	7.7	0.256	0.508	0.75	0.96	1.83	3.03	4.67	7.96	12.70	1991	3894	5841	7301	14603	23984	36374	64163	107085
500	7.0	0.226	0.448	0.68	0.87	1.66	2.77	4.35	7.29	11.79	1991	3894	5841	7301	14603	23984	36374	64163	107085
560	6.2	0.205	0.392	0.60	0.76	1.45	2.61	3.78	6.62	10.71	1991	3894	5841	7301	14603	23984	36374	64163	107085
630	5.5	0.179	0.352	0.55	0.70	1.33	2.19	3.25	5.76	9.32	1991	3894	5841	7301	14603	23984	36374	64163	107085
700	5.0	0.165	0.320	0.47	0.60	1.16	1.85	2.92	5.19	8.27	1991	3894	5841	7301	14603	23984	36374	64163	107085
800	4.3	0.146	0.282	0.42	0.54	1.02	1.73	2.82	4.79	7.87	1991	3894	5841	7301	14603	23984	38055	64163	108855
900	3.8	0.128	0.256	0.38	0.48	0.92	1.58	2.37	4.15	6.61	1991	3894	5841	7301	14603	23984	38055	64163	107085
10C	3.5	0.115	0.228	0.33	0.42	0.80	1.39	2.07	3.83	6.29	1991	3894	5841	7301	14603	23984	36374	64163	108855
11C	3.1	0.104	0.207	0.29	0.37	0.71	1.27	2.00	3.20	5.58	1991	3894	5841	7301	14603	23984	38055	64163	108855
12C	2.9	0.098	0.180	0.28	0.35	0.67	1.12	1.87	2.96	5.11	1991	3894	5841	7301	14603	23984	38055	64163	108855
14C	2.5	0.082	0.160	0.23	0.29	0.56	0.95	1.51	2.55	4.19	1991	3894	5841	7301	14603	23984	38055	64163	108855
16C	2.1	0.074	0.142	0.22	0.28	0.50	0.85	1.36	2.30	3.72	1991	3894	5841	7301	14603	23984	38055	64163	108855
18C	1.9	0.065	0.128	0.19	0.24	0.44	0.77	1.28	2.14	3.51	1991	3894	5841	7301	14603	23984	38055	64163	108855
20C	1.7	0.058	0.115	0.17	0.22	0.43	0.70	1.15	1.92	3.12	1991	3894	5841	7301	14603	23984	38055	64163	108855
22C	1.5	0.052	0.100	0.155	0.20	0.38	0.64	1.05	1.76	2.85	1991	3894	5841	7301	14603	23984	38055	64163	108855
25C	1.4	0.045	0.092	0.133	0.17	0.33	0.52	0.86	1.46	2.37	1991	3894	5841	7301	14603	23984	38055	64163	108855
28C	1.2	0.043	0.081	0.120	0.153	0.29	0.50	0.81	1.35	2.20	1991	3894	5841	7301	14603	23984	38055	64163	108855
32C	1.0	0.038	0.068	0.103	0.131	0.25	0.45	0.74	1.23	2.01	1991	3894	5841	7301	14603	23984	38055	64163	108855
36C	0.97	0.033	0.064	0.091	0.116	0.22	0.36	0.61	1.03	1.68	1991	3894	5841	7301	14603	23984	38055	64163	108855
40C	0.88	0.029	0.057	0.084	0.107	0.21	0.33	0.55	0.89	1.51	1991	3894	5841	7301	14603	23984	38055	64163	108855
45C	0.78	0.026	0.050	0.074	0.094	0.18	0.30	0.49	0.77	1.31	1991	3894	5841	7301	14603	23984	38055	64163	108855
50C	0.70	0.020	0.049	0.067	0.085	0.16	0.27	0.44	0.70	1.23	1655	3894	5841	7301	14603	23984	38055	64163	108855
56C	0.63	0.018	0.043	0.035	0.083	0.16	0.26	0.37	0.64	1.06	1655	3894	5841	7301	14603	23984	36374	64163	108855
63C	0.56	0.013	0.038	0.059	0.075	0.140	0.24	0.36	0.57	0.96	1416	3894	5841	7301	14603	23984	38055	64163	108855
71C	0.49	0.011	0.033	0.048	0.049	0.104	0.21	0.32	0.52	0.90	1398	3894	5354	5354	12036	23984	38055	64163	108855

UB – Gear Drive Horsepower & Torque Ratings

1750 High Speed Shaft rpm/Triple Reduction
(TORQUE IS IN POUND-INCHES AT LOW SPEED SHAFT)

Ratio Code	Approx L.S. Shaft rpm	HORSEPOWER									TORQUE								
		DRIVE SIZE									DRIVE SIZE								
		03	04	05	06	07	08	09	10	12	03	04	05	06	07	08	09	10	12
8.0	219	4.05	7.83	11.9	17.2	21.2	32.9	77.6	127	152	1170	2180	3340	4740	6270	9180	21500	36200	44700
10.	175	77.6	127	152	25900	43500	53800
11.	159	3.38	6.40	9.66	14.1	21.2	32.9	65.5	124	152	1320	2510	3820	5460	8710	13100	25000	49600	62100
12.	146	3.10	6.01	8.96	13.1	21.2	32.9	61.5	119	152	1380	2600	3970	5700	9800	14500	26300	51600	68300
14.	125	2.87	5.53	8.29	12.1	21.0	32.9	65.5	124	152	1450	2710	4130	5930	10700	16200	30100	59700	74700
16.	109	61.5	119	152	31700	62000	82100
18.	97	2.44	4.72	7.02	10.3	17.5	30.8	48.4	94.3	152	1580	2940	4440	6410	11600	19600	30000	60700	96000
20.	88	2.32	4.32	6.40	9.41	15.9	28.0	44.4	88.9	144	1610	3060	4590	6630	12000	20000	30700	61800	100999
22.	80	47.5	83.0	143	35400	64200	108999
25.	70	1.96	3.74	5.62	8.30	13.8	23.7	43.4	76.9	129	1720	3250	4810	6980	12700	20800	36200	64200	108999
28.	63	1.79	3.46	5.07	7.49	12.9	21.6	34.3	63.3	106	1780	3340	4990	7250	13000	21300	33000	64200	106999
32.	55	1.62	3.15	4.52	6.50	11.6	19.2	30.5	55.9	93.9	1840	3450	5180	7310	13500	22100	33400	64200	106999
36.	49	1.50	2.95	4.25	5.82	10.8	17.9	32.3	52.7	90.1	1890	3660	5450	7310	14200	22800	37300	64200	108999
40.	44	1.39	2.67	3.96	5.46	9.84	16.8	28.3	46.6	79.6	1930	3650	5410	7320	14300	23400	37300	64200	108999
45.	39	1.29	2.40	3.48	4.61	8.91	15.1	21.5	40.8	66.1	1980	3780	5630	7320	14800	23900	33400	64200	106999
50.	35	1.11	2.25	3.31	4.32	7.91	13.4	19.4	36.8	58.6	1990	3850	5710	7320	14900	23900	33400	64200	106999
56.	31	20.0	34.0	56.0	37300	64200	108999
63.	28	0.927	1.91	2.72	3.48	6.83	11.1	18.0	30.6	49.6	1990	3910	5830	7320	14900	23900	37300	64200	108999
71.	25	0.796	1.56	2.31	2.96	5.73	9.51	13.8	25.8	41.7	1990	3820	5830	7320	14900	23900	33400	64200	106999
80.	22	0.717	1.39	2.11	2.70	5.24	8.66	12.4	22.4	37.5	1990	3840	5830	7320	14900	23900	33400	64200	106999
90.	19	12.8	21.5	35.3	37300	64200	108999
100	18	0.492	1.11	1.73	2.21	4.37	7.07	11.6	18.7	31.7	1640	3570	5830	7320	14900	23900	37300	64200	108999
112	16	0.369	1.00	1.55	1.98	3.69	6.48	9.07	16.6	27.3	1410	3650	5830	7320	14400	23900	33400	64200	106999
125	14	0.320	0.944	1.28	1.28	2.83	5.65	8.09	15.5	25.6	1390	3910	5380	5270	12200	23900	33400	64200	106999
140	13	8.42	13.8	23.1	37300	64200	108999
160	11	7.51	12.9	21.7	37300	64200	108999

Input mechanical hp rating exceeds thermal hp capacity. See thermal hp capacity on Page 53.
When selecting gear drives by hp method, check required hp (without service factor) against the thermal hp ratings on Page 53.
When selecting gear drives by torque method, convert required torque (without service factor) to hp and check against the thermal hp ratings on Page 53.

1750 High Speed Shaft rpm/Quintuple Reduction
(TORQUE IS IN POUND-INCHES AT LOW SPEED SHAFT)

Ratio Code	Approx L.S. Shaft rpm	HORSEPOWER									TORQUE								
		DRIVE SIZE									DRIVE SIZE								
		03	04	05	06	07	08	09	10	12	03	04	05	06	07	08	09	10	12
125	14	0.455	0.847	1.44	1.84	3.44	5.30	1991	3894	5841	7301	14160	23984
140	13	0.400	0.769	1.20	1.52	3.10	4.85	1991	3894	5841	7301	14160	23984
160	11	0.353	0.669	1.09	1.38	2.81	4.28	6.61	11.24	18.18	1991	3894	5841	7301	14160	23984	36374	64163	107085
200	8.7	0.276	0.569	0.82	1.05	1.96	3.08	4.70	8.11	11.64	1991	3894	5841	7301	14160	21417	36374	64163	107085
250	7.0	0.256	0.442	0.65	0.82	1.77	2.74	4.19	7.22	13.13	1991	3894	5841	7301	14160	23984	36374	64163	107085
280	6.2	0.203	0.400	0.57	0.73	1.56	2.36	3.77	6.57	10.37	1991	3894	5841	7301	14160	23984	36374	64163	107085
320	5.4	0.179	0.353	0.54	0.69	1.36	2.16	3.36	5.91	9.43	1991	3894	5841	7301	14160	23984	36374	64163	107085
360	4.8	0.157	0.321	0.49	0.62	1.11	1.90	2.94	5.03	8.14	1991	3894	5841	7301	14160	23984	36374	64163	107085
400	4.3	0.141	0.280	0.43	0.55	1.03	1.75	2.65	4.53	7.16	1991	3894	5841	7301	14603	23984	36374	64163	107085
450	3.8	0.128	0.254	0.38	0.48	0.92	1.52	2.34	3.98	6.35	1991	3894	5841	7301	14603	23984	36374	64163	107085
500	3.5	0.113	0.224	0.34	0.44	0.83	1.39	2.18	3.64	5.89	1991	3894	5841	7301	14603	23984	36374	64163	107085
560	3.1	0.102	0.196	0.30	0.38	0.72	1.30	1.89	3.31	5.36	1991	3894	5841	7301	14603	23984	36374	64163	107085
630	2.7	0.090	0.176	0.27	0.35	0.67	1.09	1.62	2.88	4.66	1991	3894	5841	7301	14603	23984	36374	64163	107085
700	2.5	0.083	0.160	0.24	0.30	0.58	0.92	1.46	2.59	4.14	1991	3894	5841	7301	14603	23984	36374	64163	107085
800	2.1	0.073	0.141	0.21	0.27	0.51	0.86	1.41	2.39	3.93	1991	3894	5841	7301	14603	23984	38055	64163	108855
900	1.9	0.064	0.128	0.19	0.24	0.46	0.79	1.18	2.07	3.31	1991	3894	5841	7301	14603	23984	38055	64163	107085
10C	1.7	0.057	0.114	0.16	0.21	0.40	0.70	1.03	1.91	3.15	1991	3894	5841	7301	14603	23984	36374	64163	108855
11C	1.5	0.052	0.103	0.146	0.19	0.35	0.64	1.00	1.60	2.79	1991	3894	5841	7301	14603	23984	38055	64163	108855
12C	1.4	0.049	0.090	0.139	0.18	0.34	0.56	0.93	1.48	2.55	1991	3894	5841	7301	14603	23984	38055	64163	108855
14C	1.2	0.041	0.080	0.116	0.147	0.28	0.48	0.75	1.28	2.10	1991	3894	5841	7301	14603	23984	38055	64163	108855
16C	1.0	0.037	0.071	0.108	0.138	0.25	0.42	0.68	1.15	1.86	1991	3894	5841	7301	14603	23984	38055	64163	108855
18C	0.97	0.032	0.064	0.096	0.122	0.22	0.39	0.64	1.07	1.76	1991	3894	5841	7301	14603	23984	38055	64163	108855
20C	0.88	0.029	0.058	0.087	0.111	0.21	0.35	0.57	0.96	1.56	1991	3894	5841	7301	14603	23984	38055	64163	108855
22C	0.80	0.026	0.050	0.077	0.099	0.19	0.32	0.53	0.88	1.42	1991	3894	5841	7301	14603	23984	38055	64163	108855
25C	0.70	0.023	0.046	0.067	0.085	0.16	0.26	0.43	0.73	1.19	1991	3894	5841	7301	14603	23984	38055	64163	108855
28C	0.63	0.022	0.041	0.060	0.076	0.145	0.25	0.41	0.67	1.10	1991	3894	5841	7301	14603	23984	38055	64163	108855
32C	0.55	0.019	0.034	0.052	0.066	0.125	0.22	0.37	0.62	1.01	1991	3894	5841	7301	14603	23984	38055	64163	108855
36C	0.49	0.017	0.032	0.045	0.058	0.110	0.18	0.30	0.51	0.84	1991	3894	5841	7301	14603	23984	38055	64163	108855
40C	0.44	0.015	0.028	0.042	0.054	0.104	0.17	0.27	0.45	0.75	1991	3894	5841	7301	14603	23984	38055	64163	108855
45C	0.39	0.013	0.025	0.037	0.047	0.092	0.148	0.25	0.39	0.65	1991	3894	5841	7301	14603	23984	38055	64163	108855
50C	0.35	0.010	0.024	0.033	0.042	0.081	0.136	0.22	0.35	0.61	1655	3894	5841	7301	14603	23984	38055	64163	107085
56C	0.31	0.009	0.022	0.033	0.042	0.080	0.132	0.18	0.32	0.53	1655	3894	5841	7301	14603	23984	36374	64163	107085
63C	0.28	0.007	0.019	0.029	0.037	0.070	0.121	0.18	0.29	0.48	1416	3894	5841	7301	14603	23984	38055	64163	108855
71C	0.25	0.006	0.017	0.024	0.024	0.052	0.105	0.16	0.26	0.45	1398	3894	5354	5354	12036	23984	38055	64163	108855

UB – Gear Drive Horsepower & Torque Ratings

1170 High Speed Shaft rpm/Triple Reduction
(TORQUE IS IN POUND-INCHES AT LOW SPEED SHAFT)

Ratio Code	Approx L.S. Shaft rpm	HORSEPOWER										TORQUE									
		DRIVE SIZE										DRIVE SIZE									
		03	04	05	06	07	08	09	10	12	03	04	05	06	07	08	09	10	12		
8.0	146	2.91	5.63	8.59	12.4	14.0	21.8	58.1	83.9	101	1270	2380	3650	5180	6290	9210	24400	36200	44800		
10	117	58.1	83.9	101	29300	43500	53800		
11	106	2.45	4.60	6.94	10.1	14.0	21.8	48.2	83.9	101	1450	2730	4150	5940	8730	13100	27900	50700	62200		
12	98	2.25	4.33	6.41	9.35	14.0	21.8	44.6	83.9	101	1510	2830	4300	6160	9810	14600	28900	55200	68300		
14	84	2.08	3.98	5.92	8.66	14.0	21.8	48.2	83.9	101	1580	2950	4460	6400	10800	16200	33500	60900	74700		
16	73	44.6	81.3	101	34700	64200	82100		
18	65	1.75	3.38	5.01	7.36	12.4	21.8	33.9	66.0	101	1700	3180	4790	6910	12500	21000	31800	64200	96000		
20	59	1.66	3.09	4.58	6.74	11.3	20.1	31.3	61.1	101	1740	3310	4960	7170	13000	21700	32800	64200	105999		
22	53	33.1	54.9	94.9	37300	64200	108999		
25	47	1.40	2.67	4.02	5.76	9.90	17.4	29.6	50.9	85.7	1860	3510	5200	7310	13700	23100	37300	64200	108999		
28	42	1.28	2.48	3.63	5.01	9.24	16.0	23.0	41.9	70.5	1920	3610	5400	7320	14100	23900	33400	64200	106999		
32	37	1.16	2.26	3.24	4.31	8.32	13.7	20.2	37.0	62.2	1990	3730	5610	7320	14600	23900	33400	64200	106999		
36	33	1.05	2.08	3.01	3.85	7.48	12.4	21.4	34.9	59.7	1990	3910	5830	7320	14900	23900	37300	64200	108999		
40	29	0.947	1.89	2.82	3.61	6.78	11.3	18.7	30.8	52.7	1990	3910	5830	7320	14900	23900	37300	64200	108999		
45	26	0.861	1.64	2.39	3.05	5.92	10.0	14.3	27.0	43.8	1990	3910	5830	7320	14900	23900	33400	64200	106999		
50	23	0.735	1.51	2.24	2.86	5.24	8.89	12.8	24.3	38.9	1990	3910	5830	7320	14900	23900	33400	64200	106999		
56	21	13.2	22.5	37.1	37300	64200	108999		
63	19	0.614	1.26	1.80	2.31	4.52	7.34	11.9	20.3	32.9	1990	3910	5830	7320	14900	23900	37300	64200	108999		
71	16	0.527	1.03	1.53	1.96	2.80	6.30	9.11	17.1	27.6	1990	3820	5830	7320	14900	23900	33400	64200	106999		
80	15	0.475	0.92	1.40	1.79	3.47	5.74	8.25	14.8	24.8	1990	3840	5830	7320	14900	23900	33400	64200	106999		
90	13	8.45	14.2	23.4	37300	64200	108999		
100	12	0.326	0.762	1.14	1.46	2.90	4.68	7.65	12.4	21.0	1640	3700	5830	7320	14900	23900	37300	64200	108999		
112	10	0.244	0.687	1.03	1.31	2.44	4.29	6.01	11.0	18.1	1410	3780	5830	7320	14400	23900	33400	64200	106999		
125	9.3	0.212	0.626	0.847	0.847	1.87	3.74	5.36	10.3	17.0	1390	3910	5380	5280	12200	23900	33400	64200	106999		
140	8.3	5.58	9.16	15.3	37300	64200	108999		
160	7.3	4.97	8.54	14.4	37300	64200	108999		

Input mechanical hp rating exceeds thermal hp capacity. See thermal hp capacity on Page 53.
When selecting gear drives by hp method, check required hp (without service factor) against the thermal hp ratings on Page 53.
When selecting gear drives by torque method, convert required torque (without service factor) to hp and check against the thermal hp ratings on Page 53.

1170 High Speed Shaft rpm/Quintuple Reduction
(TORQUE IS IN POUND-INCHES AT LOW SPEED SHAFT)

Ratio Code	Approx L.S. Shaft rpm	HORSEPOWER										TORQUE									
		DRIVE SIZE										DRIVE SIZE									
		03	04	05	06	07	08	09	10	12	03	04	05	06	07	08	09	10	12		
125	9.3	0.302	0.561	0.96	1.22	2.28	3.51	1991	3894	5841	7301	14160	23984		
140	8.3	0.265	0.510	0.79	1.01	2.06	3.21	1991	3894	5841	7301	14160	23984		
160	7.3	0.234	0.443	0.72	0.92	1.87	2.84	4.38	7.45	12.05	1991	3894	5841	7301	14160	23984	36374	64163	107085		
200	5.8	0.183	0.377	0.54	0.69	1.30	2.04	3.11	5.38	7.72	1991	3894	5841	7301	14160	23984	36374	64163	107085		
250	4.6	0.170	0.293	0.43	0.55	1.18	1.82	2.78	4.79	8.70	1991	3894	5841	7301	14160	23984	36374	64163	107085		
280	4.1	0.135	0.265	0.38	0.48	1.03	1.56	2.50	4.35	6.87	1991	3894	5841	7301	14160	23984	36374	64163	107085		
320	3.6	0.119	0.234	0.36	0.46	0.90	1.43	2.23	3.92	6.25	1991	3894	5841	7301	14160	23984	36374	64163	107085		
360	3.2	0.104	0.212	0.32	0.41	0.73	1.26	1.95	3.33	5.39	1991	3894	5841	7301	14160	23984	36374	64163	107085		
400	2.9	0.093	0.185	0.28	0.36	0.68	1.16	1.75	3.00	4.74	1991	3894	5841	7301	14603	23984	36374	64163	107085		
450	2.6	0.085	0.168	0.25	0.32	0.61	1.01	1.55	2.64	4.21	1991	3894	5841	7301	14603	23984	36374	64163	107085		
500	2.3	0.075	0.148	0.23	0.29	0.55	0.92	1.44	2.42	3.91	1991	3894	5841	7301	14603	23984	36374	64163	107085		
560	2.0	0.068	0.130	0.20	0.25	0.48	0.86	1.25	2.20	3.55	1991	3894	5841	7301	14603	23984	36374	64163	107085		
630	1.8	0.059	0.117	0.18	0.23	0.44	0.72	1.08	1.91	3.09	1991	3894	5841	7301	14603	23984	36374	64163	107085		
700	1.6	0.055	0.106	0.156	0.20	0.38	0.61	0.97	1.72	2.74	1991	3894	5841	7301	14603	23984	36374	64163	107085		
800	1.4	0.048	0.093	0.139	0.18	0.34	0.57	0.93	1.59	2.61	1991	3894	5841	7301	14603	23984	38055	64163	108855		
900	1.3	0.042	0.085	0.126	0.160	0.31	0.52	0.78	1.37	2.19	1991	3894	5841	7301	14603	23984	38055	64163	107085		
10C	1.1	0.038	0.075	0.108	0.138	0.27	0.46	0.69	1.27	2.08	1991	3894	5841	7301	14603	23984	36374	64163	108855		
11C	1.0	0.034	0.068	0.097	0.123	0.23	0.42	0.66	1.06	1.85	1991	3894	5841	7301	14603	23984	38055	64163	108855		
12C	0.98	0.033	0.060	0.092	0.117	0.22	0.37	0.62	0.98	1.69	1991	3894	5841	7301	14603	23984	38055	64163	108855		
14C	0.84	0.027	0.053	0.077	0.098	0.19	0.32	0.50	0.85	1.39	1991	3894	5841	7301	14603	23984	38055	64163	108855		
16C	0.73	0.024	0.047	0.072	0.091	0.16	0.28	0.45	0.76	1.23	1991	3894	5841	7301	14603	23984	38055	64163	108855		
18C	0.65	0.021	0.042	0.064	0.081	0.146	0.26	0.42	0.71	1.16	1991	3894	5841	7301	14603	23984	38055	64163	108855		
20C	0.59	0.019	0.038	0.058	0.074	0.142	0.23	0.38	0.64	1.03	1991	3894	5841	7301	14603	23984	38055	64163	108855		
22C	0.53	0.017	0.033	0.051	0.065	0.126	0.21	0.35	0.58	0.94	1991	3894	5841	7301	14603	23984	38055	64163	108855		
25C	0.47	0.015	0.031	0.044	0.056	0.108	0.17	0.28	0.49	0.79	1991	3894	5841	7301	14603	23984	38055	64163	108855		
28C	0.42	0.014	0.027	0.040	0.051	0.096	0.16	0.27	0.45	0.73	1991	3894	5841	7301	14603	23984	38055	64163	108855		
32C	0.37	0.012	0.022	0.034	0.044	0.083	0.148	0.25	0.41	0.67	1991	3894	5841	7301	14603	23984	38055	64163	108855		
36C	0.33	0.011	0.021	0.030	0.038	0.073	0.121	0.20	0.34	0.56	1991	3894	5841	7301	14603	23984	38055	64163	108855		
40C	0.29	0.010	0.019	0.028	0.036	0.069	0.110	0.18	0.30	0.50	1991	3894	5841	7301	14603	23984	38055	64163	108855		
45C	0.26	0.008	0.017	0.025	0.031	0.061	0.098	0.16	0.26	0.43	1991	3894	5841	7301	14603	23984	38055	64163	108855		
50C	0.23	0.007	0.016	0.022	0.028	0.054	0.090	0.146	0.23	0.41	1655	3894	5841	7301	14603	23984	38055	64163	107085		
56C	0.21	0.006	0.014	0.022	0.028	0.053	0.088	0.122	0.21	0.35	1655	3894	5841	7301	14603	23984	36374	64163	107085		
63C	0.19	0.004	0.013	0.019	0.025	0.047	0.080	0.119	0.19	0.32	1416	3894	5841	7301	14603	23984	38055	64163	108855		
71C	0.16	0.004	0.011	0.016	0.016	0.035	0.070	0.106	0.17	0.30	1398	3894	5354	5354	12036	23984	38055	64163	108855		

UB – Gear Drive Horsepower & Torque Ratings

870 High Speed Shaft rpm/Triple Reduction
(TORQUE IS IN POUND-INCHES AT LOW SPEED SHAFT)

Ratio Code	Approx L.S. Shaft rpm	HORSEPOWER									TORQUE								
		DRIVE SIZE									DRIVE SIZE								
		03	04	05	06	07	08	09	10	12	03	04	05	06	07	08	09	10	12
8.0	109	2.34	4.49	6.85	9.89	10.6	16.4	47.1	63.3	75.9	1360	2510	3870	5480	6300	9230	26200	36300	44800
10.	87	47.1	63.3	75.9	31500	43600	53900
11.	79	1.95	3.67	5.49	8.00	10.6	16.4	37.9	63.3	75.9	1530	2880	4360	6240	8740	13100	29100	50700	62200
12.	73	1.79	3.44	5.09	7.43	10.6	16.4	34.9	63.3	75.9	1600	2980	4530	6500	9820	14600	30000	55200	68300
14.	62	1.65	3.16	4.71	6.89	10.6	16.4	37.9	63.3	75.9	1670	3110	4700	6760	10800	16200	34900	61000	74800
16.	54	34.9	61.3	75.9	36100	64200	82100
18.	48	1.39	2.69	3.98	5.85	9.87	16.4	26.9	49.7	75.9	1800	3360	5050	7290	13200	21000	33400	64200	96000
20.	44	1.32	2.46	3.64	5.18	9.02	16.4	24.0	46.1	75.9	1840	3490	5230	7320	13700	23600	33400	64200	105999
22.	40	24.9	41.4	71.6	37300	64200	108999
25.	35	1.13	2.13	3.20	4.34	7.87	13.6	22.3	38.4	64.6	1990	3700	5490	7320	14500	23900	37300	64200	108999
28.	31	0.999	1.97	2.88	3.77	7.33	12.1	17.3	31.6	53.2	1990	3800	5690	7320	14900	23900	33400	64200	106999
32.	27	0.874	1.76	2.54	3.25	6.38	10.4	15.2	27.9	46.9	1990	3850	5830	7320	14900	23900	33400	64200	106999
36.	24	0.788	1.57	2.27	2.91	5.64	9.36	16.1	26.3	45.0	1990	3910	5830	7320	14900	23900	37300	64200	108999
40.	22	0.714	1.43	2.13	2.72	5.11	8.55	14.1	23.2	39.7	1990	3910	5830	7320	14900	23900	37300	64200	108999
45.	19	0.649	1.24	1.80	2.30	4.46	7.56	10.7	20.4	33.0	1990	3910	5830	7320	14900	23900	33400	64200	106999
50.	17	0.555	1.14	1.69	2.16	3.95	6.70	9.68	18.4	29.3	1990	3910	5830	7320	14900	23900	33400	64200	106999
56.	16	9.98	17.0	28.0	37300	64200	108999
63.	14	0.463	0.952	1.36	1.74	3.41	5.53	8.98	15.3	24.8	1990	3910	5830	7320	14900	23900	37300	64200	108999
71.	12	0.398	0.777	1.15	1.48	2.86	4.75	6.87	12.9	20.8	1990	3820	5830	7320	14900	23900	33400	64200	106999
80.	11	0.358	0.694	1.06	1.35	2.62	4.33	6.22	11.2	18.7	1990	3840	5830	7320	14900	23900	33400	64200	106999
90.	9.6	6.37	10.7	17.6	37300	64200	108999
100	8.7	0.246	0.589	0.863	1.10	2.19	3.53	5.77	9.32	15.8	1640	3790	5830	7320	14900	23900	37300	64200	108999
112	7.7	0.184	0.531	0.775	0.991	1.84	3.24	4.53	8.30	13.6	1410	3870	5830	7320	14400	23900	33400	64200	106999
125	6.9	0.160	0.472	0.639	0.639	1.41	2.82	4.04	7.74	12.8	1390	3910	5380	5280	12200	23900	33400	64200	106999
140	6.2	4.21	6.91	11.5	37300	64200	108999
160	5.4	3.75	6.44	10.8	37300	64200	108999

Input mechanical hp rating exceeds thermal hp capacity. See thermal hp capacity on Page 53.
When selecting gear drives by hp method, check required hp (without service factor) against the thermal hp ratings on Page 53.
When selecting gear drives by torque method, convert required torque (without service factor) to hp and check against the thermal hp ratings on Page 53.

870 High Speed Shaft rpm/Quintuple Reduction
(TORQUE IS IN POUND-INCHES AT LOW SPEED SHAFT)

Ratio Code	Approx L.S. Shaft rpm	HORSEPOWER									TORQUE								
		DRIVE SIZE									DRIVE SIZE								
		03	04	05	06	07	08	09	10	12	03	04	05	06	07	08	09	10	12
125	6.9	0.228	0.423	0.72	0.92	1.72	2.65	1991	3894	5841	7301	14160	23984
140	6.2	0.200	0.385	0.60	0.76	1.55	2.42	1991	3894	5841	7301	14160	23984
160	5.4	0.177	0.334	0.54	0.69	1.41	2.14	3.30	5.62	9.09	1991	3894	5841	7301	14160	23984	36374	64163	107085
200	4.3	0.138	0.285	0.41	0.52	0.98	1.54	2.35	4.06	5.82	1991	3894	5841	7301	14160	21417	36374	64163	107085
250	3.4	0.128	0.221	0.32	0.41	0.89	1.37	2.10	3.61	6.56	1991	3894	5841	7301	14160	23984	36374	64163	107085
280	3.1	0.102	0.200	0.28	0.36	0.78	1.18	1.89	3.26	5.18	1991	3894	5841	7301	14160	23984	36374	64163	107085
320	2.7	0.090	0.177	0.27	0.34	0.68	1.08	1.68	2.96	4.71	1991	3894	5841	7301	14160	23984	36374	64163	107085
360	2.4	0.078	0.160	0.24	0.31	0.55	0.95	1.47	2.51	4.07	1991	3894	5841	7301	14160	23984	36374	64163	107085
400	2.1	0.070	0.140	0.21	0.27	0.51	0.87	1.32	2.26	3.58	1991	3894	5841	7301	14603	23984	36374	64163	107085
450	1.9	0.064	0.127	0.19	0.24	0.46	0.76	1.17	1.99	3.17	1991	3894	5841	7301	14603	23984	36374	64163	107085
500	1.7	0.056	0.112	0.17	0.22	0.42	0.69	1.09	1.82	2.95	1991	3894	5841	7301	14603	23984	36374	64163	107085
560	1.5	0.051	0.098	0.15	0.19	0.36	0.65	0.94	1.66	2.68	1991	3894	5841	7301	14603	23984	36374	64163	107085
630	1.3	0.045	0.088	0.137	0.17	0.33	0.55	0.81	1.44	2.33	1991	3894	5841	7301	14603	23984	36374	64163	107085
700	1.2	0.041	0.080	0.118	0.150	0.29	0.46	0.73	1.30	2.07	1991	3894	5841	7301	14603	23984	36374	64163	107085
800	1.0	0.036	0.070	0.105	0.134	0.26	0.43	0.71	1.20	1.97	1991	3894	5841	7301	14603	23984	38055	64163	108855
900	0.97	0.032	0.064	0.095	0.121	0.23	0.39	0.59	1.04	1.65	1991	3894	5841	7301	14603	23984	38055	64163	107085
10C	0.87	0.029	0.057	0.082	0.104	0.20	0.35	0.52	0.96	1.57	1991	3894	5841	7301	14603	23984	36374	64163	108855
11C	0.79	0.026	0.052	0.073	0.093	0.18	0.32	0.50	0.80	1.40	1991	3894	5841	7301	14603	23984	38055	64163	108855
12C	0.73	0.025	0.045	0.069	0.088	0.17	0.28	0.47	0.74	1.28	1991	3894	5841	7301	14603	23984	38055	64163	107085
14C	0.62	0.020	0.040	0.058	0.074	0.140	0.24	0.38	0.64	1.05	1991	3894	5841	7301	14603	23984	38055	64163	108855
16C	0.54	0.018	0.035	0.054	0.069	0.124	0.21	0.34	0.57	0.93	1991	3894	5841	7301	14603	23984	38055	64163	108855
18C	0.48	0.016	0.032	0.048	0.061	0.110	0.19	0.32	0.53	0.88	1991	3894	5841	7301	14603	23984	38055	64163	108855
20C	0.44	0.015	0.029	0.044	0.056	0.107	0.17	0.29	0.48	0.78	1991	3894	5841	7301	14603	23984	38055	64163	108855
22C	0.40	0.013	0.025	0.039	0.049	0.095	0.159	0.26	0.44	0.71	1991	3894	5841	7301	14603	23984	38055	64163	108855
25C	0.35	0.011	0.023	0.033	0.042	0.082	0.130	0.21	0.37	0.59	1991	3894	5841	7301	14603	23984	38055	64163	108855
28C	0.31	0.011	0.020	0.030	0.038	0.073	0.124	0.20	0.34	0.55	1991	3894	5841	7301	14603	23984	38055	64163	108855
32C	0.27	0.009	0.017	0.026	0.033	0.063	0.111	0.19	0.31	0.50	1991	3894	5841	7301	14603	23984	38055	64163	108855
36C	0.24	0.008	0.016	0.023	0.029	0.055	0.091	0.15	0.26	0.42	1991	3894	5841	7301	14603	23984	38055	64163	108855
40C	0.22	0.007	0.014	0.021	0.027	0.052	0.083	0.14	0.22	0.38	1991	3894	5841	7301	14603	23984	38055	64163	108855
45C	0.19	0.006	0.013	0.019	0.024	0.046	0.074	0.123	0.19	0.33	1991	3894	5841	7301	14603	23984	38055	64163	108855
50C	0.17	0.005	0.012	0.017	0.021	0.040	0.068	0.110	0.17	0.31	1655	3894	5841	7301	14603	23984	38055	64163	108855
56C	0.16	0.004	0.011	0.016	0.021	0.040	0.066	0.092	0.16	0.27	1655	3894	5841	7301	14603	23984	36374	64163	108855
63C	0.14	0.003	0.009	0.015	0.019	0.035	0.061	0.090	0.143	0.24	1416	3894	5841	7301	14603	23984	38055	64163	108855
71C	0.12	0.003	0.008	0.012	0.012	0.026	0.053	0.080	0.129	0.22	1398	3894	5354	5354	12036	23984	38055	64163	108855

Type UB Thermal Ratings & Thermal Application Correction Factors

The thermal ratings are a measure of the gear drives ability to dissipate heat. Checking the thermal rating is extremely important, for if the drive creates heat faster than it can be dissipated, severe damage may occur.

Quick Selection tables for Gearmotor drives are based on mechanical ratings only, while horsepower and torque tables show both mechanical and thermal ratings. It is important, however, that for both types of drives, the thermal ratings are checked to ensure that overheating does not occur.

Catalog thermal ratings are based on the drive being mounted in Position #1, operating continuously in an environment with an ambient temperature equal to 68°F (20°C). The thermal rating is affected by ambient air temperature, duty cycle and mounting position. To account for these varying conditions, the application correction factors given in Tables 1, 1A and 1B should be applied to the catalog thermal ratings using the following formula:

$P_{TA} = B_1 \times B_2 \times B_3 \times P_T$ where:

P_{TA} = Application Adjusted Thermal Power Rating

P_T = Basic Thermal Power Rating (Below)

B_1 = Ambient Air Temperature Factor, Table 1

B_2 = Mounting Position Factor, Table 1A

B_3 = Duty Cycle Factor, Table 1B

TABLE 1 — Ambient Air Temperature Factor - B₁

Ambient Temperature °F	-20	0	20	32	50	68	80	100	120
Factor †	1.67	1.50	1.37	1.28	1.15	1.00	0.89	0.72	0.51

† Factors for other ambient temperatures can be interpolated.

TABLE 1A — Mounting Position Factor - B₂

DRIVE Output rpm	Mounting Position				
	1	2	3 & 4	5	6
0 to 25	1.00	0.996	0.997	0.995	0.993
>25 to 50	1.00	0.990	0.993	0.986	0.982
>50 to 75	1.00	0.981	0.987	0.974	0.968
>75 to 100	1.00	0.970	0.980	0.960	0.950
>100 to 200	1.00	0.914	0.943	0.886	0.858
>200 to 300	1.00	0.844	0.896	0.792	0.840
>300 to 400	1.00	0.760	0.840	0.680	0.600
>400	1.00	0.724	0.809	0.618	0.533

TABLE 1B — Duty Cycle Factor ‡ - B₃

DRIVE Output rpm	% Operating Time Per Hour				
	100	80	60	40	20
0 to 10	1.00	1.18	1.45	1.72	2.38
>10 to 25	1.00	1.16	1.39	1.64	2.22
>25 to 50	1.00	1.14	1.31	1.54	2.00
>50 to 100	1.00	1.08	1.19	1.33	1.64
>100 to 150	1.00	1.04	1.08	1.19	1.41
>150 to 200	1.00	1.00	1.00	1.06	1.23
>200	1.00	1.00	1.00	1.00	1.00

‡ The duty cycle factor must be based on the percentage of each hour that the drive is operating. For example: A gear drive operating for 48 minutes and resting for 12 minutes every hour of the day, has an 80% duty cycle, but a drive operating for four hours and resting for four hours has a 100% duty cycle. Where % run time per hour falls between value shown above, use next higher % run time.

UB – Basic Thermal Horsepower Ratings

Nominal Ratios	High Speed Shaft rpm	Auxiliary Cooling	DRIVE SIZE								
			03	04	05	06	07	08	09	10	12
8.0 thru 20.	3500	None Shaft Fan	← Consult Falk →								
	1750	None Shaft Fan	7.9	9.7	13.9	14.9	21.9	19.2	25.8	54	74
	1170	None Shaft Fan	8.3	10.1	14.6	15.6	22.9	20.1	27.0	56	77
	870	None Shaft Fan	7.3	8.9	12.9	13.8	20.2	17.8	23.8	50	68
22. thru 40.	3500	None Shaft Fan	5.7	7.0	10.1	10.8	15.8	13.9	18.7	39	53
	1750	None Shaft Fan	6.7	8.2	11.8	12.6	18.6	17.7	25.1	35	47.9
	1170	None Shaft Fan	6.4	7.8	11.3	12.1	17.7	16.9	24.0	33	46
	870	None Shaft Fan	8.2	7.6	10.9	11.7	17.2	16.4	23.2	32	44
45. & over	3500	None Shaft Fan	4.9	6.0	8.6	9.2	13.5	12.8	18.2	25	35
	1750	None Shaft Fan	4.1	5.8	5.8	9.8	9.8	14.5	19.2	30	42
	1170	None Shaft Fan	6.4	7.8	11.3	12.1	17.7	16.9	24.0	33	46
	870	None Shaft Fan	6.2	7.6	10.9	11.7	17.2	16.4	23.2	32	44

UB – Gear Drive Part Numbers

Helical Bevel Gear Drive – Sizes 03-07 – Triple Reduction

DRIVE SIZE	Ratio Code	Exact Ratio	Drive Designation	Drive Part No.	DRIVE SIZE	Ratio Code	Exact Ratio	Drive Designation	Drive Part No.	DRIVE SIZE	Ratio Code	Exact Ratio	Drive Designation	Drive Part No.
03	8.0	8.328	03UBBQ3A8.0N	4765647	05	8.0	8.112	05UBBQ3A8.0N	4765772	07	8.0	8.595	07UBBQ3A8.0N	4766049
03	11.	11.25	03UBBQ3A11.N	4765650	05	11.	11.40	05UBBQ3A11.N	4765775	07	11.	11.91	07UBBQ3A11.N	4766053
03	12.	12.80	03UBBQ3A12.N	4765653	05	12.	12.78	05UBBQ3A12.N	4765778	07	12.	13.37	07UBBQ3A12.N	4766057
03	14.	14.50	03UBBQ3A14.N	4765656	05	14.	14.35	05UBBQ3A14.N	4765781	07	14.	14.71	07UBBQ3A14.N	4766061
03	18.	18.54	03UBBQ3A18.N	4765659	05	18.	18.22	05UBBQ3A18.N	4765784	07	18.	19.21	07UBBQ3A18.N	4766065
03	20.	19.98	03UBBQ3A20.N	4765662	05	20.	20.66	05UBBQ3A20.N	4765787	07	20.	21.84	07UBBQ3A20.N	4766069
03	25.	25.23	03UBBQ3A25.N	4765665	05	25.	24.64	05UBBQ3A25.N	4765790	07	25.	26.52	07UBBQ3A25.N	4766074
03	28.	28.60	03UBBQ3A28.N	4765668	05	28.	28.37	05UBBQ3A28.N	4765794	07	28.	29.17	07UBBQ3A28.N	4766079
03	32.	32.68	03UBBQ3A32.N	4765671	05	32.	32.99	05UBBQ3A32.N	4765798	07	32.	33.52	07UBBQ3A32.N	4766084
03	36.	36.35	03UBBQ3A36.N	4765674	05	36.	36.91	05UBBQ3A36.N	4765802	07	36.	38.01	07UBBQ3A36.N	4766089
03	40.	40.08	03UBBQ3A40.N	4765677	05	40.	39.34	05UBBQ3A40.N	4765806	07	40.	41.92	07UBBQ3A40.N	4766094
03	45.	44.11	03UBBQ3A45.N	4765680	05	45.	46.63	05UBBQ3A45.N	4765810	07	45.	48.01	07UBBQ3A45.N	4766099
03	50.	51.68	03UBBQ3A50.N	4765683	05	50.	49.78	05UBBQ3A50.N	4765814	07	50.	54.28	07UBBQ3A50.N	4766104
03	63.	62.00	03UBBQ3A63.N	4765686	05	63.	61.78	05UBBQ3A63.N	4765818	07	63.	62.94	07UBBQ3A63.N	4766109
03	71.	72.27	03UBBQ3A71.N	4765689	05	71.	72.85	05UBBQ3A71.N	4765822	07	71.	75.07	07UBBQ3A71.N	4766114
03	80.	80.30	03UBBQ3A80.N	4765692	05	80.	79.77	05UBBQ3A80.N	4765826	07	80.	82.21	07UBBQ3A80.N	4766119
03	100	96.70	03UBBQ3A100N	4765695	05	100	97.76	05UBBQ3A100N	4765830	07	100	98.65	07UBBQ3A100N	4766124
03	112	110.8	03UBBQ3A112N	4765698	05	112	109.0	05UBBQ3A112N	4765834	07	112	113.5	07UBBQ3A112N	4766129
03	125	126.0	03UBBQ3A125N	4765703	05	125	122.2	05UBBQ3A125N	4765838	07	125	126.1	07UBBQ3A125N	4766134
04	8.0	8.054	04UBBQ3A8.0N	4765707	06	8.0	7.961	06UBBQ3A8.0N	4765910					
04	11.	11.30	04UBBQ3A11.N	4765711	06	11.	11.19	06UBBQ3A11.N	4765913					
04	12.	12.45	04UBBQ3A12.N	4765715	06	12.	12.54	06UBBQ3A12.N	4765916					
04	14.	14.14	04UBBQ3A14.N	4765719	06	14.	14.08	06UBBQ3A14.N	4765919					
04	18.	17.95	04UBBQ3A18.N	4765723	06	18.	17.88	06UBBQ3A18.N	4765922					
04	20.	20.40	04UBBQ3A20.N	4765727	06	20.	20.27	06UBBQ3A20.N	4765925					
04	25.	25.03	04UBBQ3A25.N	4765731	06	25.	24.18	06UBBQ3A25.N	4765928					
04	28.	27.78	04UBBQ3A28.N	4765735	06	28.	27.84	06UBBQ3A28.N	4765932					
04	32.	31.54	04UBBQ3A32.N	4765739	06	32.	32.38	06UBBQ3A32.N	4765936					
04	36.	35.83	04UBBQ3A36.N	4765742	06	36.	36.22	06UBBQ3A36.N	4765940					
04	40.	39.46	04UBBQ3A40.N	4765745	06	40.	38.61	06UBBQ3A40.N	4765944					
04	45.	45.39	04UBBQ3A45.N	4765748	06	45.	45.76	06UBBQ3A45.N	4765948					
04	50.	49.35	04UBBQ3A50.N	4765751	06	50.	48.86	06UBBQ3A50.N	4765952					
04	63.	59.24	04UBBQ3A63.N	4765754	06	63.	60.62	06UBBQ3A63.N	4765956					
04	71.	71.09	04UBBQ3A71.N	4765757	06	71.	71.49	06UBBQ3A71.N	4765960					
04	80.	80.10	04UBBQ3A80.N	4765760	06	80.	78.28	06UBBQ3A80.N	4765964					
04	100	93.12	04UBBQ3A100N	4765763	06	100	95.93	06UBBQ3A100N	4765968					
04	112	105.7	04UBBQ3A112N	4765766	06	112	106.9	06UBBQ3A112N	4765972					
04	125	120.2	04UBBQ3A125N	4765769	06	125	119.9	06UBBQ3A125N	4765976					

UB – Gear Drive Part Numbers

Helical Bevel Gear Drive – Sizes 08-12 Triple Reduction

DRIVE SIZE	Ratio Code	Exact Ratio	Drive Designation	Drive Part No.	DRIVE SIZE	Ratio Code	Exact Ratio	Drive Designation	Drive Part No.	DRIVE SIZE	Ratio Code	Exact Ratio	Drive Designation	Drive Part No.
08	8.0	8.128	08UBBQ3A8.0N	4762673	09	45.	44.89	09UBBQ3A45.N	4762859	10	100	99.70	10UBBQ3A100N	4763782
08	11.	11.52	08UBBQ3A11.N	4762681	09	50.	49.87	09UBBQ3A50.N	4762865	10	112	112.0	10UBBQ3A112N	4763788
08	12.	12.80	08UBBQ3A12.N	4762685	09	56.	54.09	09UBBQ3A56.N	4762871	10	125	120.4	10UBBQ3A125N	4763794
08	14.	14.24	08UBBQ3A14.N	4766227	09	63.	60.10	09UBBQ3A63.N	4762877	10	140	134.8	10UBBQ3A140N	4763800
08	18.	18.41	08UBBQ3A18.N	4762697	09	71.	70.45	09UBBQ3A71.N	4762883	10	160	144.9	10UBBQ3A160N	4763806
08	20.	20.67	08UBBQ3A20.N	4762701	09	80.	77.78	09UBBQ3A80.N	4762889	12	8.0	8.513	12UBBQ3A8.0N	4763812
08	25.	25.35	08UBBQ3A25.N	4766231	09	90.	84.89	09UBBQ3A90.N	4762895	12	10.	10.26	12UBBQ3A10.N	4763818
08	28.	28.56	08UBBQ3A28.N	4762713	09	100	93.71	09UBBQ3A100N	4762901	12	11.	11.80	12UBBQ3A11.N	4763824
08	32.	33.24	08UBBQ3A32.N	4762717	09	112	107.0	09UBBQ3A112N	4762907	12	12.	12.96	12UBBQ3A12.N	4763830
08	36.	36.88	08UBBQ3A36.N	4766237	09	125	120.3	09UBBQ3A125N	4762913	12	14.	14.21	12UBBQ3A14.N	4763836
08	40.	40.36	08UBBQ3A40.N	4766243	09	140	128.9	09UBBQ3A140N	4762919	12	16.	15.61	12UBBQ3A16.N	4763842
08	45.	45.66	08UBBQ3A45.N	4762731	09	160	145.0	09UBBQ3A160N	4762925	12	18.	18.20	12UBBQ3A18.N	4763848
08	50.	51.54	08UBBQ3A50.N	4762737	10	8.0	8.263	10UBBQ3A8.0N	4763682	12	20.	20.17	12UBBQ3A20.N	4763854
08	63.	62.47	08UBBQ3A63.N	4766249	10	10.	9.946	10UBBQ3A10.N	4763686	12	22.	21.93	12UBBQ3A22.N	4763860
08	71.	72.86	08UBBQ3A71.N	4762755	10	11.	11.54	10UBBQ3A11.N	4763690	12	25.	24.29	12UBBQ3A25.N	4763866
08	80.	80.03	08UBBQ3A80.N	4762761	10	12.	12.55	10UBBQ3A12.N	4763694	12	28.	28.99	12UBBQ3A28.N	4763872
08	100	98.08	08UBBQ3A100N	4766255	10	14.	13.89	10UBBQ3A14.N	4763698	12	32.	32.83	12UBBQ3A32.N	4763878
08	112	107.1	08UBBQ3A112N	4762779	10	16.	15.11	10UBBQ3A16.N	4763702	12	36.	34.93	12UBBQ3A36.N	4763884
08	125	123.3	08UBBQ3A125N	4762785	10	18.	18.57	10UBBQ3A18.N	4763706	12	40.	39.55	12UBBQ3A40.N	4763890
09	8.0	8.035	09UBBQ3A8.0N	4762801	10	20.	20.05	10UBBQ3A20.N	4763710	12	45.	46.81	12UBBQ3A45.N	4763896
09	10.	9.681	09UBBQ3A10.N	4762805	10	22.	22.35	10UBBQ3A22.N	4763714	12	50.	52.76	12UBBQ3A50.N	4763906
09	11.	11.06	09UBBQ3A11.N	4762809	10	25.	24.13	10UBBQ3A25.N	4763718	12	56.	56.39	12UBBQ3A56.N	4763914
09	12.	12.40	09UBBQ3A12.N	4762813	10	28.	29.24	10UBBQ3A28.N	4763722	12	63.	63.57	12UBBQ3A63.N	4763922
09	14.	13.33	09UBBQ3A14.N	4762817	10	32.	33.10	10UBBQ3A32.N	4763726	12	71.	74.62	12UBBQ3A71.N	4763930
09	16.	14.94	09UBBQ3A16.N	4762821	10	36.	35.19	10UBBQ3A36.N	4763730	12	80.	83.10	12UBBQ3A80.N	4763938
09	18.	17.93	09UBBQ3A18.N	4762825	10	40.	39.84	10UBBQ3A40.N	4763734	12	90.	89.89	12UBBQ3A90.N	4763946
09	20.	20.03	09UBBQ3A20.N	4762829	10	45.	45.37	10UBBQ3A45.N	4763740	12	100	100.1	12UBBQ3A100N	4763954
09	22.	21.61	09UBBQ3A22.N	4762833	10	50.	50.41	10UBBQ3A50.N	4763746	12	112	113.8	12UBBQ3A112N	4763960
09	25.	24.14	09UBBQ3A25.N	4762837	10	56.	54.61	10UBBQ3A56.N	4763752	12	125	121.1	12UBBQ3A125N	4763966
09	28.	27.78	09UBBQ3A28.N	4762841	10	63.	60.68	10UBBQ3A63.N	4763758	12	140	137.1	12UBBQ3A140N	4763972
09	32.	31.67	09UBBQ3A32.N	4762845	10	71.	71.89	10UBBQ3A71.N	4763764	12	160	145.9	12UBBQ3A160N	4763978
09	36.	33.47	09UBBQ3A36.N	4762849	10	80.	82.83	10UBBQ3A80.N	4763770					
09	40.	38.16	09UBBQ3A40.N	4762853	10	90.	86.53	10UBBQ3A90.N	4763776					

UB – Gear Drive Part Numbers

Helical Bevel Gear Drive – Sizes 03-07 Quintuple Reduction

DRIVE SIZE	Ratio Code	Exact Ratio	Drive Designation	Drive Part No.	DRIVE SIZE	Ratio Code	Exact Ratio	Drive Designation	Drive Part No.	DRIVE SIZE	Ratio Code	Exact Ratio	Drive Designation	Drive Part No.			
03	125	128	03UBBQ5A125N	REFER TO FALK	04	25C	2463	04UBBQ5A25CN	REFER TO FALK	06	14C	1449	06UBBQ5A14CN	REFER TO FALK			
03	140	145	03UBBQ5A140N		04	28C	2799	04UBBQ5A28CN		06	16C	1548	06UBBQ5A16CN				
03	160	165	03UBBQ5A160N		04	32C	3360	04UBBQ5A32CN		06	18C	1744	06UBBQ5A18CN				
03	200	211	03UBBQ5A200N		04	36C	3548	04UBBQ5A36CN		06	20C	1920	06UBBQ5A20CN				
03	250	227	03UBBQ5A250N		04	40C	3998	04UBBQ5A40CN		06	22C	2164	06UBBQ5A22CN				
03	280	287	03UBBQ5A280N		04	45C	4543	04UBBQ5A45CN		06	25C	2515	06UBBQ5A25CN				
03	320	325	03UBBQ5A320N		04	50C	4647	04UBBQ5A50CN		06	28C	2794	06UBBQ5A28CN				
03	360	371	03UBBQ5A360N		04	56C	5281	04UBBQ5A56CN		06	32C	3248	06UBBQ5A32CN				
03	400	413	03UBBQ5A400N		04	63C	5994	04UBBQ5A63CN		06	36C	3686	06UBBQ5A36CN				
03	450	455	03UBBQ5A450N		04	71C	6815	04UBBQ5A71CN		06	40C	3981	06UBBQ5A40CN				
03	500	516	03UBBQ5A500N		05	125	118	05UBBQ5A125N		REFER TO FALK	06	45C	4518		06UBBQ5A45CN		
03	560	568	03UBBQ5A560N		05	140	143	05UBBQ5A140N			06	50C	5036		06UBBQ5A50CN		
03	630	649	03UBBQ5A630N		05	160	157	05UBBQ5A160N			06	56C	5136		06UBBQ5A56CN		
03	700	704	03UBBQ5A700N		05	200	208	05UBBQ5A200N			06	63C	5725		06UBBQ5A63CN		
03	800	798	03UBBQ5A800N		05	250	264	05UBBQ5A250N			06	71C	6420		06UBBQ5A71CN		
03	900	912	03UBBQ5A900N		05	280	300	05UBBQ5A280N			07	125	120		07UBBQ5A125N		
03	10C	1015	03UBBQ5A10CN		05	320	316	05UBBQ5A320N			07	140	133		07UBBQ5A140N		
03	11C	1119	03UBBQ5A11CN		05	360	351	05UBBQ5A360N			07	160	147		07UBBQ5A160N		
03	12C	1183	03UBBQ5A12CN		05	400	399	05UBBQ5A400N			07	200	211		07UBBQ5A200N		
03	14C	1423	03UBBQ5A14CN		05	450	453	05UBBQ5A450N			07	250	233		07UBBQ5A250N		
03	16C	1583	03UBBQ5A16CN		05	500	499	05UBBQ5A500N			07	280	265		07UBBQ5A280N		
03	18C	1800	03UBBQ5A18CN		05	560	574	05UBBQ5A560N			07	320	305		07UBBQ5A320N		
03	20C	2000	03UBBQ5A20CN		05	630	624	05UBBQ5A630N			07	360	374		07UBBQ5A360N		
03	22C	2250	03UBBQ5A22CN		05	700	725	05UBBQ5A700N			07	400	415		07UBBQ5A400N		
03	25C	2579	03UBBQ5A25CN		05	800	812	05UBBQ5A800N			07	450	466		07UBBQ5A450N		
03	28C	2699	03UBBQ5A28CN		05	900	899	05UBBQ5A900N			07	500	513		07UBBQ5A500N		
03	32C	3094	03UBBQ5A32CN		05	10C	1045	05UBBQ5A10CN			07	560	590		07UBBQ5A560N		
03	36C	3516	03UBBQ5A36CN		05	11C	1169	05UBBQ5A11CN			07	630	641		07UBBQ5A630N		
03	40C	4007	03UBBQ5A40CN		05	12C	1231	05UBBQ5A12CN			07	700	737		07UBBQ5A700N		
03	45C	4554	03UBBQ5A45CN		05	14C	1477	05UBBQ5A14CN			07	800	836		07UBBQ5A800N		
03	50C	4826	03UBBQ5A50CN		05	16C	1577	05UBBQ5A16CN			07	900	924		07UBBQ5A900N		
03	56C	5485	03UBBQ5A56CN	05	18C	1777	05UBBQ5A18CN	07	10C		1062	07UBBQ5A10CN					
03	63C	6286	03UBBQ5A63CN	05	20C	1957	05UBBQ5A20CN	07	11C		1204	07UBBQ5A11CN					
03	71C	7144	03UBBQ5A71CN	05	22C	2205	05UBBQ5A22CN	07	12C		1267	07UBBQ5A12CN					
04	125	134	04UBBQ5A125N	REFER TO FALK	05	25C	2563	05UBBQ5A25CN	REFER TO FALK		07	14C	1521	07UBBQ5A14CN			
04	140	148	04UBBQ5A140N		05	28C	2847	05UBBQ5A28CN			07	16C	1720	07UBBQ5A16CN			
04	160	170	04UBBQ5A160N		05	32C	3310	05UBBQ5A32CN			07	18C	1938	07UBBQ5A18CN			
04	200	200	04UBBQ5A200N		05	36C	3757	05UBBQ5A36CN			07	20C	1994	07UBBQ5A20CN			
04	250	258	04UBBQ5A250N		05	40C	4056	05UBBQ5A40CN			07	22C	2246	07UBBQ5A22CN			
04	280	284	04UBBQ5A280N		05	45C	4604	05UBBQ5A45CN			07	25C	2611	07UBBQ5A25CN			
04	320	322	04UBBQ5A320N		05	50C	5131	05UBBQ5A50CN			07	28C	2934	07UBBQ5A28CN			
04	360	355	04UBBQ5A360N		05	56C	5234	05UBBQ5A56CN		07	32C	3411	07UBBQ5A32CN				
04	400	407	04UBBQ5A400N		05	63C	5833	05UBBQ5A63CN		07	36C	3871	07UBBQ5A36CN				
04	450	448	04UBBQ5A450N		05	71C	6542	05UBBQ5A71CN		07	40C	4093	07UBBQ5A40CN				
04	500	508	04UBBQ5A500N		06	125	116	06UBBQ5A125N		REFER TO FALK	07	45C	4646	07UBBQ5A45CN			
04	560	581	04UBBQ5A560N		06	140	140	06UBBQ5A140N			07	50C	5281	07UBBQ5A50CN			
04	630	646	04UBBQ5A630N		06	160	154	06UBBQ5A160N			07	56C	5345	07UBBQ5A56CN			
04	700	712	04UBBQ5A700N		06	200	204	06UBBQ5A200N			07	63C	6076	07UBBQ5A63CN			
04	800	808	04UBBQ5A800N		06	250	259	06UBBQ5A250N			07	71C	6752	07UBBQ5A71CN			
04	900	891	04UBBQ5A900N		06	280	294	06UBBQ5A280N									
04	10C	1000	04UBBQ5A10CN		06	320	310	06UBBQ5A320N									
04	11C	1102	04UBBQ5A11CN		06	360	344	06UBBQ5A360N									
04	12C	1267	04UBBQ5A12CN		06	400	391	06UBBQ5A400N									
04	14C	1427	04UBBQ5A14CN		06	450	445	06UBBQ5A450N									
04	16C	1606	04UBBQ5A16CN		06	500	489	06UBBQ5A500N									
04	18C	1784	04UBBQ5A18CN		06	560	563	06UBBQ5A560N									
04	20C	2250	04UBBQ5A20CN		06	630	612	06UBBQ5A630N									
04	22C	2265	04UBBQ5A22CN		06	700	712	06UBBQ5A700N									
					06	800	797	06UBBQ5A800N									
					06	900	882	06UBBQ5A900N									
					06	10C	1026	06UBBQ5A10CN									
					06	11C	1147	06UBBQ5A11CN									
					06	12C	1208	06UBBQ5A12CN									

UB – Gear Drive Part Numbers

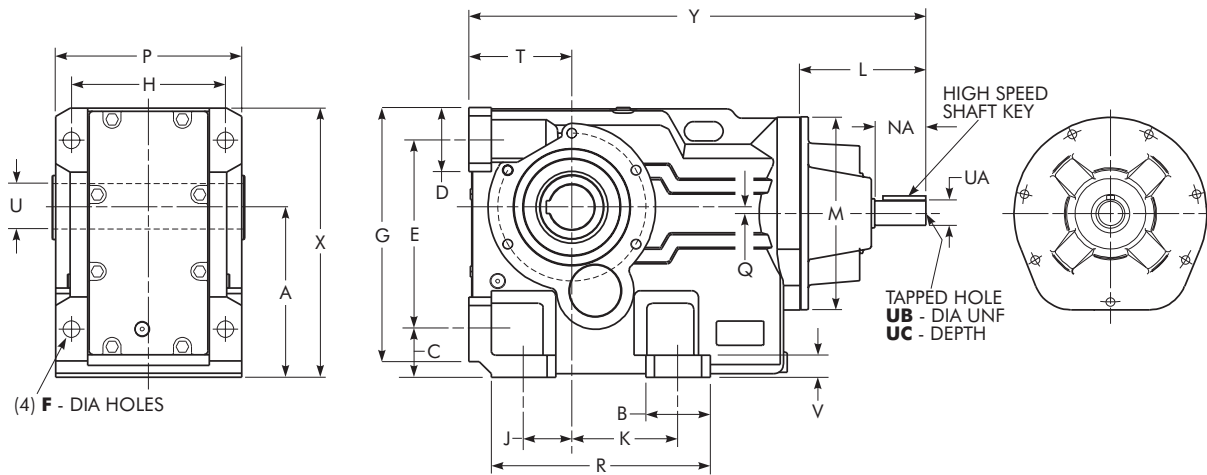
Helical Bevel Gear Drive – Sizes 08-12 Quintuple Reduction

DRIVE SIZE	Ratio Code	Exact Ratio	Drive Designation	Drive Part No.	DRIVE SIZE	Ratio Code	Exact Ratio	Drive Designation	Drive Part No.	DRIVE SIZE	Ratio Code	Exact Ratio	Drive Designation	Drive Part No.
08	125	132	08UBBQ5A125N	REFER TO FALK	09	700	727	09UBBQ5A700N	REFER TO FALK	10	28C	2779	10UBBQ5A28CN	REFER TO FALK
08	140	145	08UBBQ5A140N		09	800	789	09UBBQ5A800N		10	32C	3044	10UBBQ5A32CN	
08	160	164	08UBBQ5A160N		09	900	940	09UBBQ5A900N		10	36C	3652	10UBBQ5A36CN	
08	200	203	08UBBQ5A200N		09	10C	1028	09UBBQ5A10CN		10	40C	4208	10UBBQ5A40CN	
08	250	256	08UBBQ5A250N		09	11C	1115	09UBBQ5A11CN		10	45C	4842	10UBBQ5A45CN	
08	280	297	08UBBQ5A280N		09	12C	1190	09UBBQ5A12CN		10	50C	5380	10UBBQ5A50CN	
08	320	325	08UBBQ5A320N		09	14C	1477	09UBBQ5A14CN		10	56C	5845	10UBBQ5A56CN	
08	360	368	08UBBQ5A360N		09	16C	1641	09UBBQ5A16CN		10	63C	6548	10UBBQ5A63CN	
08	400	401	08UBBQ5A400N		09	18C	1741	09UBBQ5A18CN		10	71C	7276	10UBBQ5A71CN	
08	450	462	08UBBQ5A450N		09	20C	1935	09UBBQ5A20CN		12	160	172	12UBBQ5A160N	REFER TO FALK
08	500	506	08UBBQ5A500N		09	22C	2118	09UBBQ5A22CN		12	200	269	12UBBQ5A200N	
08	560	538	08UBBQ5A560N		09	25C	2596	09UBBQ5A25CN		12	250	238	12UBBQ5A250N	
08	630	641	08UBBQ5A630N		09	28C	2733	09UBBQ5A28CN		12	280	302	12UBBQ5A280N	
08	700	760	08UBBQ5A700N		09	32C	2992	09UBBQ5A32CN		12	320	332	12UBBQ5A320N	
08	800	811	08UBBQ5A800N		09	36C	3667	09UBBQ5A36CN		12	360	385	12UBBQ5A360N	
08	900	888	08UBBQ5A900N		09	40C	4048	09UBBQ5A40CN		12	400	437	12UBBQ5A400N	
08	10C	1007	08UBBQ5A10CN		09	45C	4512	09UBBQ5A45CN		12	450	493	12UBBQ5A450N	
08	11C	1102	08UBBQ5A11CN		09	50C	5060	09UBBQ5A50CN		12	500	531	12UBBQ5A500N	
08	12C	1248	08UBBQ5A12CN		09	56C	5793	09UBBQ5A56CN		12	560	584	12UBBQ5A560N	
08	14C	1470	08UBBQ5A14CN		09	63C	6207	09UBBQ5A63CN		12	630	671	12UBBQ5A630N	
08	16C	1659	08UBBQ5A16CN		09	71C	6980	09UBBQ5A71CN		12	700	757	12UBBQ5A700N	
08	18C	1817	08UBBQ5A18CN		10	160	167	10UBBQ5A160N	REFER TO FALK	12	800	809	12UBBQ5A800N	
08	20C	2011	08UBBQ5A20CN		10	200	226	10UBBQ5A200N		12	900	946	12UBBQ5A900N	
08	22C	2202	08UBBQ5A22CN		10	250	260	10UBBQ5A250N		12	10C	1012	12UBBQ5A10CN	
08	25C	2699	08UBBQ5A25CN		10	280	285	10UBBQ5A280N		12	11C	1140	12UBBQ5A11CN	
08	28C	2821	08UBBQ5A28CN		10	320	317	10UBBQ5A320N		12	12C	1226	12UBBQ5A12CN	
08	32C	3147	08UBBQ5A32CN		10	360	373	10UBBQ5A360N		12	14C	1519	12UBBQ5A14CN	
08	36C	3853	08UBBQ5A36CN		10	400	414	10UBBQ5A400N		12	16C	1712	12UBBQ5A16CN	
08	40C	4237	08UBBQ5A40CN		10	450	471	10UBBQ5A450N		12	18C	1811	12UBBQ5A18CN	
08	45C	4722	08UBBQ5A45CN		10	500	515	10UBBQ5A500N		12	20C	2042	12UBBQ5A20CN	
08	50C	5157	08UBBQ5A50CN		10	560	566	10UBBQ5A560N		12	22C	2236	12UBBQ5A22CN	
08	56C	5296	08UBBQ5A56CN		10	630	651	10UBBQ5A630N		12	25C	2683	12UBBQ5A25CN	
08	63C	5783	08UBBQ5A63CN		10	700	723	10UBBQ5A700N		12	28C	2887	12UBBQ5A28CN	
08	71C	6660	08UBBQ5A71CN		10	800	783	10UBBQ5A800N		12	32C	3162	12UBBQ5A32CN	
09	160	161	09UBBQ5A161N	REFER TO FALK	10	900	904	10UBBQ5A900N		12	36C	3794	12UBBQ5A36CN	
09	200	226	09UBBQ5A226N		10	10C	980	10UBBQ5A10CN		12	40C	4226	12UBBQ5A40CN	
09	250	254	09UBBQ5A250N		10	11C	1171	10UBBQ5A11CN		12	45C	4862	12UBBQ5A45CN	
09	280	282	09UBBQ5A280N		10	12C	1268	10UBBQ5A12CN		12	50C	5110	12UBBQ5A50CN	
09	320	316	09UBBQ5A316N		10	14C	1470	10UBBQ5A14CN		12	56C	5879	12UBBQ5A56CN	
09	360	361	09UBBQ5A361N		10	16C	1634	10UBBQ5A16CN		12	63C	6657	12UBBQ5A63CN	
09	400	402	09UBBQ5A400N		10	18C	1754	10UBBQ5A18CN		12	71C	7083	12UBBQ5A71CN	
09	450	455	09UBBQ5A450N		10	20C	1949	10UBBQ5A20CN						
09	500	489	09UBBQ5A500N		10	22C	2134	10UBBQ5A22CN						
09	560	563	09UBBQ5A560N		10	25C	2561	10UBBQ5A25CN						
09	630	655	09UBBQ5A630N											

Type UB Triple Reduction Gear Drive

Sizes 03-12 — Dimensions – Inches

BASIC GEAR DRIVE HOLLOW LOW SPEED SHAFT INTEGRAL BASE & END MOUNTED FEET



SIZE ★	A	B	C	D	E	F	G	H	J	K	L	M	NA	P
03	3.94	1.50	1.26	1.50	4.53	0.43	5.98	3.94	1.10	3.23	4.37	5.51	1.57	4.72
04	4.41	1.50	1.46	1.57	5.12	0.43	6.73	4.72	1.38	3.74	4.37	5.51	1.57	5.71
05	5.20	1.57	1.77	1.57	5.91	0.55	7.56	5.12	1.18	3.94	4.37	7.09	1.57	6.18
06	5.51	2.17	1.77	1.89	6.30	0.55	8.19	5.51	1.18	3.54	4.37	7.09	1.57	6.69
07	7.09	2.36	2.17	2.17	7.87	0.71	10.35	6.50	1.57	4.34	4.53	8.35	1.97	7.87
08	8.35	2.99	2.76	2.99	9.17	0.91	12.17	7.09	2.17	4.92	6.30	9.84	2.36	9.06
09	10.43	3.94	2.95	3.94	11.61	1.06	15.55	9.45	2.95	6.50	7.68	11.81	3.15	11.42
10	12.40	4.33	3.74	4.53	14.17	1.34	17.91	10.63	3.74	7.28	9.17	14.17	4.33	13.39
12	14.76	4.72	4.33	4.72	16.54	1.54	21.26	12.99	4.53	9.25	11.26	15.75	4.33	15.75

SIZE ★	Q	R	T	Hollow L.S. Shaft		H.S. Shaft			V	X	Y	
				U † +.0012 -.0000	Keyway	UA +.0000 -.0005	Key	UB				UC
03	0.63	5.63	2.48	1.2500	.250 x .127 x 4.724	0.6250	.19 x .14 x 1.28	1/4	0.63	0.43	6.57	13.11
04	0.51	6.61	2.80	1.3750	.313 x .150 x 5.906	0.6250	.19 x .14 x 1.28	1/4	0.63	0.63	7.36	14.21
05	0.20	6.69	3.15	1.5000	.375 x .175 x 6.535	0.7500	.19 x .16 x 1.28	1/4	0.63	0.59	8.54	16.14
06	0.51	6.93	3.54	1.5000	.375 x .175 x 7.087	0.7500	.19 x .16 x 1.28	1/4	0.63	0.79	9.17	16.93
07	0.98	8.27	4.41	2.0000	.500 x .230 x 8.268	0.8750	.19 x .16 x 1.28	5/32	0.63	1.06	11.34	19.37
08	0.59	10.08	5.20	2.3750	.625 x .281 x 9.449	1.1250	.25 x .20 x 2.00	3/8	0.87	1.18	13.43	24.49
09	0.39	13.39	6.30	2.7500	.625 x .287 x 11.811	1.3750	.31 x .26 x 2.40	1/2	1.10	1.38	16.54	27.95
10	1.61	15.35	7.87	3.2500	.750 x .400 x 13.781	1.6250	.38 x .34 x 3.69	5/8	1.42	1.57	19.88	33.70
12	2.56	18.50	8.86	4.0000	1.000 x .450 x 16.142	2.1250	.50 x .46 x 3.81	3/4	1.65	1.77	23.23	38.86

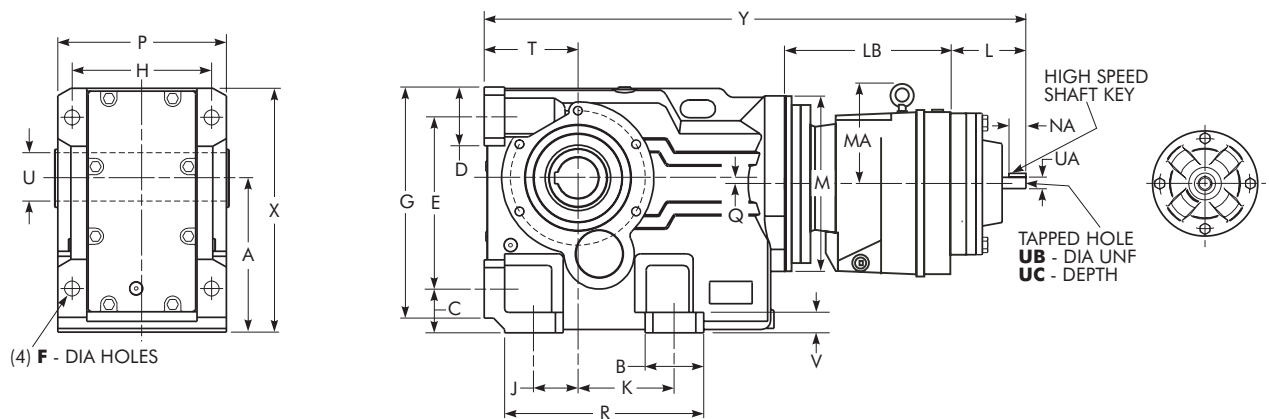
★ Refer to Page 6 for General Information and Reference Notes.

† Sizes 10 & 12 tolerance is +.0014, -.0000.

Type UB Quintuple Reduction Gear Drive

Sizes 03–12 — Dimensions – Inches

BASIC GEAR DRIVE HOLLOW LOW SPEED SHAFT INTEGRAL BASE & END MOUNTED FEET



SIZE ★	A	B	C	D	E	F	G	H	J	K	L	LB	M	MA	NA	P
03	3.94	1.50	1.26	1.50	4.53	0.43	5.98	3.94	1.10	3.23	4.37	11.69	5.51	...	1.57	4.72
04	4.41	1.50	1.46	1.57	5.12	0.43	6.73	4.72	1.38	3.74	4.37	11.69	5.51	...	1.57	5.71
05	5.20	1.57	1.77	1.57	5.91	0.55	7.56	5.12	1.18	3.94	4.37	12.32	7.09	...	1.57	6.18
06	5.51	2.17	1.77	1.89	6.30	0.55	8.19	5.51	1.18	3.54	4.37	12.32	7.09	...	1.57	6.69
07	7.09	2.36	2.17	2.17	7.87	0.71	10.35	6.50	1.57	4.34	4.37	12.36	7.09	...	1.57	7.87
08	8.35	2.99	2.76	2.99	9.17	0.91	12.17	7.09	2.17	4.92	4.37	14.01	9.84	...	1.57	9.06
09	10.43	3.94	2.95	3.94	11.61	1.06	15.55	9.45	2.95	6.50	4.37	14.44	11.81	...	1.57	11.42
10	12.40	4.33	3.74	4.53	14.17	1.34	17.91	10.63	3.74	7.28	4.53	16.03	14.17	6.10	1.97	13.39
12	14.76	4.72	4.33	4.72	16.54	1.54	21.26	12.99	4.53	9.25	4.53	17.95	15.75	6.10	1.97	15.75

SIZE ★	Q	R	T	Hollow L.S. Shaft		H.S. Shaft				V	X	Y
				U ‡ +.0012 -.0000	Keyway	UA +.0000 -.0005	Key	UB	UC			
03	0.63	5.63	2.48	1.2500	.250 x .127 x 4.724	0.6250	.19 x .14 x 1.28	1/4	0.63	0.43	6.57	24.80
04	0.51	6.61	2.80	1.3750	.313 x .150 x 5.906	0.6250	.19 x .14 x 1.28	1/4	0.63	0.63	7.36	25.91
05	0.20	6.69	3.15	1.5000	.375 x .175 x 6.535	0.6250	.19 x .14 x 1.28	1/4	0.63	0.59	8.54	28.46
06	0.51	6.93	3.54	1.5000	.375 x .175 x 7.087	0.6250	.19 x .14 x 1.28	1/4	0.63	0.79	9.17	29.25
07	0.98	8.27	4.41	2.0000	.500 x .230 x 8.268	0.6250	.19 x .14 x 1.28	1/4	0.63	1.06	11.34	31.57
08	0.59	10.08	5.20	2.3750	.625 x .281 x 9.449	0.7500	.19 x .16 x 1.28	1/4	0.63	1.18	13.43	36.57
09	0.39	13.39	6.30	2.7500	.625 x .287 x 11.811	0.7500	.19 x .16 x 1.28	1/4	0.63	1.38	16.54	39.09
10	1.61	15.35	7.87	3.2500	.750 x .341 x 13.780	0.8750	.19 x .16 x 1.28	5/16	0.63	1.57	20.20	45.08
12	2.56	18.50	8.86	4.0000	1.000 x .446 x 16.142	0.8750	.19 x .16 x 1.28	5/16	0.87	1.77	23.23	50.08

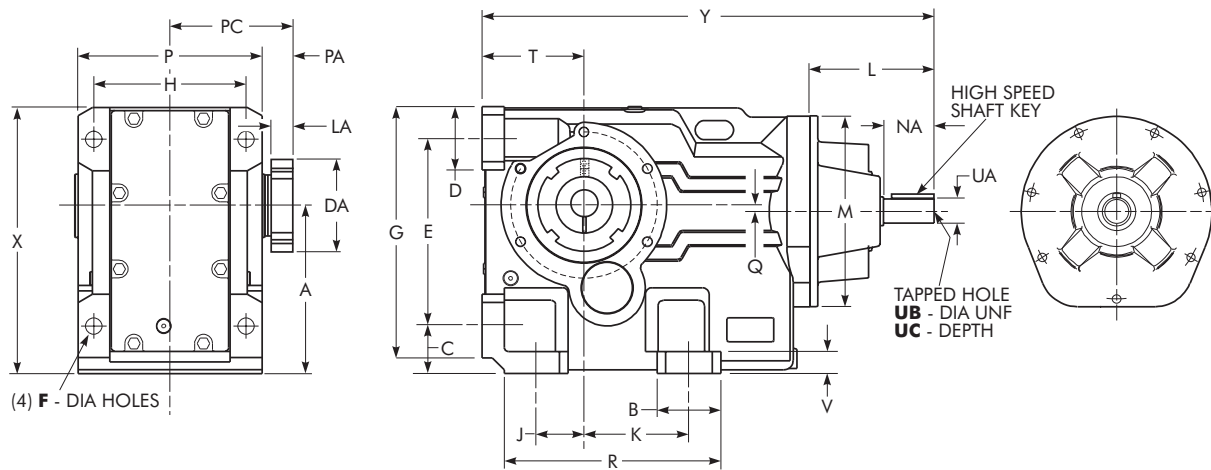
★ Refer to Page 6 for General Information and Reference Notes.

‡ Sizes 10 & 12 tolerance is +.0014, -.0000.

Type UB Triple Reduction Gear Drive

Sizes 05-12 — Dimensions – Inches

BASIC GEAR DRIVE WITH TA TAPER BUSHING INTEGRAL BASE & END MOUNTED FEET



SIZE ★	A	B	C	D	DA	E	F	G	H	J	K	L	LA	M	NA	P	PA	PC
05	5.20	1.57	1.77	1.57	3.31	5.91	0.55	7.56	5.12	1.18	3.94	4.37	1.26	7.09	1.57	6.18	1.61	3.27
06	5.51	2.17	1.77	1.89	4.06	6.30	0.55	8.19	5.51	1.18	3.54	4.37	1.46	7.09	1.57	6.69	1.77	3.54
07	7.09	2.36	2.17	2.17	4.31	7.87	0.71	10.35	6.50	1.57	4.34	4.53	1.46	8.35	1.97	7.87	1.61	4.13
08	8.35	2.99	2.76	2.99	4.81	9.17	0.91	12.17	7.09	2.17	4.92	6.30	1.46	9.84	2.36	9.06	2.03	4.72
09	10.43	3.94	2.95	3.94	5.68	11.61	1.06	15.55	9.45	2.95	6.50	7.68	1.76	11.81	3.15	11.42	2.24	5.91
10	12.40	4.33	3.74	4.53	6.06	14.17	1.34	17.91	10.63	3.74	7.28	9.17	1.76	14.17	4.33	13.39	2.41	6.89
12	14.76	4.72	4.33	4.72	6.81	16.54	1.54	21.26	12.99	4.53	9.25	11.26	1.80	15.75	4.33	15.75	2.46	8.07

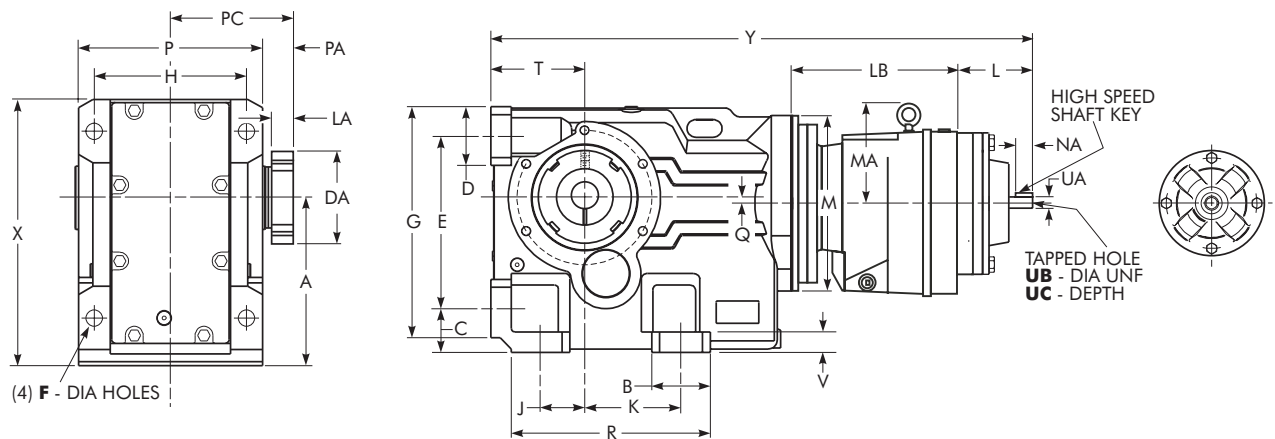
SIZE ★	Q	R	T	Hollow L.S. Shaft	H.S. Shaft				V	X	Y
					UA + .0000 - .0005	Key	UB	UC			
05	0.20	6.69	3.15	Refer to TA Taper Bushing Dimensions on Pages 44 & 45	0.7500	.19 x .16 x 1.28	1/4	0.63	0.59	8.54	16.14
06	0.51	6.93	3.54		0.7500	.19 x .16 x 1.28	1/4	0.63	0.79	9.17	16.93
07	0.98	8.27	4.41		0.8750	.19 x .16 x 1.28	5/32	0.63	1.06	11.34	19.37
08	0.59	10.08	5.20		1.1250	.25 x .20 x 2.00	3/8	0.87	1.18	13.43	24.49
09	0.39	13.39	6.30		1.3750	.31 x .26 x 2.40	1/2	1.10	1.38	16.54	27.95
10	1.61	15.35	7.87		1.6250	.38 x .34 x 3.69	5/8	1.42	1.57	19.88	33.70
12	2.56	18.50	8.86		2.1250	.50 x .46 x 3.81	3/4	1.65	1.77	23.23	38.86

★ Refer to Page 6 for General Information and Reference Notes.
 † Sizes 10 & 12 tolerance is +.0014, -.0000.

Type UB Quintuple Reduction Gear Drive

Sizes 05–12 — Dimensions – Inches

BASIC GEAR DRIVE WITH TA TAPER BUSHING INTEGRAL BASE & END MOUNTED FEET



SIZE ★	A	B	C	D	DA	E	F	G	H	J	K	L	LA	LB	M	MA	NA	P	PA	PC
05	5.20	1.57	1.77	1.57	3.31	5.91	0.55	7.56	5.12	1.18	3.94	4.37	1.26	12.32	7.09	...	1.57	6.18	1.61	3.27
06	5.51	2.17	1.77	1.89	4.06	6.30	0.55	8.19	5.51	1.18	3.54	4.37	1.46	12.32	7.09	...	1.57	6.69	1.77	3.54
07	7.09	2.36	2.17	2.17	4.31	7.87	0.71	10.35	6.50	1.57	4.34	4.37	1.46	12.36	7.09	...	1.57	7.87	1.61	4.13
08	8.35	2.99	2.76	2.99	4.81	9.17	0.91	12.17	7.09	2.17	4.92	4.37	1.46	14.01	9.84	...	1.57	9.06	2.03	4.72
09	10.43	3.94	2.95	3.94	5.68	11.61	1.06	15.55	9.45	2.95	6.50	4.37	1.76	14.44	11.81	...	1.57	11.42	2.24	5.91
10	12.40	4.33	3.74	4.53	6.06	14.17	1.34	17.91	10.63	3.74	7.28	4.53	1.76	16.03	14.17	6.10	1.97	13.39	2.41	6.89
12	14.76	4.72	4.33	4.72	6.81	16.54	1.54	21.26	12.99	4.53	9.25	4.53	1.80	17.95	15.75	6.10	1.97	15.75	2.46	8.07

SIZE ★	Q	R	T	Hollow L.S. Shaft	H.S. Shaft				V	X	Y
					UA + .0000 - .0005	Key	UB	UC			
05	0.20	6.69	3.15	Refer to TA Taper Bushing Dimensions on Pages 44 & 45	0.6250	.19 x .14 x 1.28	1/4	0.63	0.59	8.54	28.46
06	0.51	6.93	3.54		0.6250	.19 x .14 x 1.28	1/4	0.63	0.79	9.17	29.25
07	0.98	8.27	4.41		0.6250	.19 x .14 x 1.28	1/4	0.63	1.06	11.34	31.57
08	0.59	10.08	5.20		0.7500	.19 x .16 x 1.28	1/4	0.63	1.18	13.43	36.57
09	0.39	13.39	6.30		0.7500	.19 x .16 x 1.28	1/4	0.63	1.38	16.54	39.09
10	1.61	15.35	7.87		0.8750	.19 x .16 x 1.28	5/16	0.63	1.57	20.20	45.08
12	2.56	18.50	8.86	0.8750	.19 x .16 x 1.28	5/16	0.87	1.77	23.23	50.08	

★ Refer to Page 6 for General Information and Reference Notes.

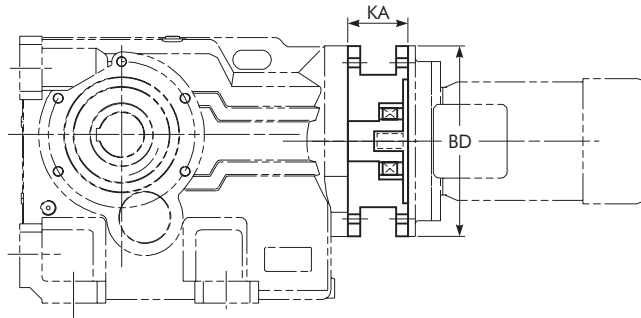
† Sizes 10 & 12 tolerance is +.0014, -.0000.

UB – Accessories

Gearmotor Backstop Module

Gearmotor backstop modules can be fitted between the gear drive and motor. The backstop device incorporates high quality centrifugal lift off sprags which are wear free above the lift off speed (rpm). To ensure correct operation motor speed must exceed lift off speed. Suitable for ambient temperatures of -40°F to 122°F (-40°C to 50°C). When a backstop module is furnished, dimension K should be added to the overall length of the gearmotor assembly.

Low speed shaft rotation must be specified when ordering as viewed from the low speed shaft end.



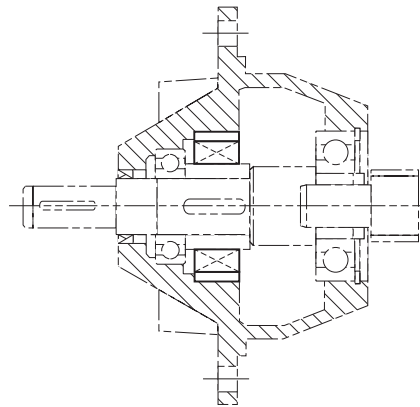
DIMENSIONS – INCHES (NEMA C Flange)

Motor Frame Size	Lift Off Speed (rpm)	Rated Locking Torque Max at Motor (lb-in)	BD	KA	Kit Part Number
182TC / 184TC	670	2655	9.00	3.75	1940888
213TC / 215 TC	670	2655	9.00	3.75	1940889
254TC / 256TC	620	8320	9.00	4.75	1940890
284TC / 286TC	620	8320	11.00	5.38	1940891
324TC / 326TC	550	11150	13.00	6.00	1940892

Gear Drive Backstop Module

The gear drives listed below can be fitted with an internal backstop, this has no effect of the external drive size. The backstop device incorporates high quality centrifugal lift off sprags which are wear free above the lift off speed (rpm). Suitable for ambient temperatures of -40°F to 122°F (-40°C to 50°C).

Low speed shaft rotation must be specified when ordering as viewed from the low speed shaft end.

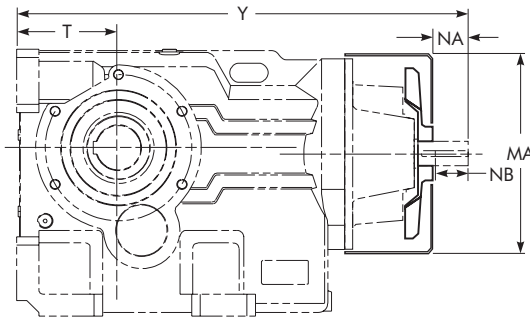


DIMENSIONS – INCHES

DRIVE SIZE	Lift Off Speed (rpm)	Rated Locking Torque Max at HSS (lb-in)	Kit Part Number
05	800	885	Consult Falk
06	800	885	
07	670	1504	
08	670	1504	
09	670	2655	
10	670	2655	
12	550	21242	

UB – Accessories

Fan Cooled Gear Drives



DRIVE SIZE	MA	NA	NB	T	Y	Kit Part Number
07	8.86	1.38	1.28	4.41	19.37	1940894
08	10.43	1.77	2.00	5.20	24.29	1940895
09	12.60	2.56	2.40	6.30	27.95	1940896
10	14.96	3.74	3.69	7.87	33.70	1940897
12	16.54	3.35	3.81	8.86	38.86	1940898

UB – Accessories

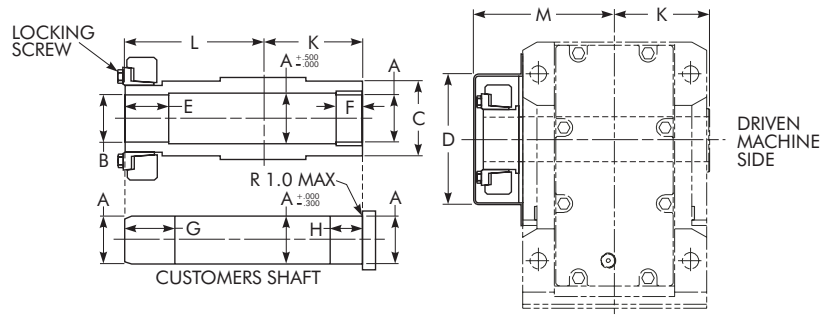
Shrink Disc

The gear drive is fitted with a Shrink Disc device located on the hollow output shaft to provide a positive outer locking connection between gear drive and driven shaft. The Shrink Disc is a friction device, without keys, which exerts an external clamping force on the hollow output shaft thus establishing a mechanical shrink fit between the gear drive hollow shaft and driven shaft. Shrink Disc capacities have ample margins in dealing with transmitted torques and external loading imposed on gear drives.

The Shrink Disc consists of a locking collar, tapered inner ring and locking screws. By tightening the locking screws, the locking collar and tapered inner ring are pulled together, exerting radial forces on the inner ring, thus creating a positive friction connection between hollow shaft and driven shaft.

As the tapered surfaces of locking collar and inner ring are lubricated with Molykote 321R or similar and the taper angle is not self locking, locking collar will not seize on the inner ring and can be released easily when removal is necessary.

When the Shrink Disc is clamped in position the high contact pressures between tapered surfaces and screw heads and their seatings ensure hermetic sealing and eliminate the possibility of fretting corrosion.



NOTE: ONLY AVAILABLE AS STANDARD IN THIS HANDING, CONTACT FALK FOR OPPOSITE HANDING.

DIMENSIONS – INCHES

Size ★	A	B	C	D	E	F	G	H	K	L	M	Locking Screws Torque (lb-in)
03	1.181	1.181	1.97	3.48	1.22	0.79	1.42	0.98	2.36	3.39	3.58	257
04	1.378	1.378	2.17	4.25	1.26	0.79	1.46	0.98	2.95	4.02	4.45	257
05	1.575	1.575	2.36	4.25	1.42	0.79	1.61	0.98	3.27	4.41	4.65	257
06	1.575	1.575	2.76	5.24	1.50	0.79	1.69	0.98	3.54	4.65	5.51	257
07	1.969	1.969	3.15	5.24	1.42	1.18	1.61	1.38	4.13	5.35	5.98	310
08	2.559	2.559	3.54	6.38	1.61	1.57	1.81	1.77	4.72	6.34	6.89	515
09	2.953	2.953	3.94	6.89	2.17	1.57	2.36	2.17	5.91	7.68	8.27	515
10	3.740	3.740	4.72	7.87	2.56	2.36	2.76	2.56	6.89	9.06	9.65	885
12	4.134	4.134	5.51	9.45	3.35	2.36	3.54	2.95	8.07	11.02	11.61	1415

★ Refer to Page 6 for General Information and Reference Notes.

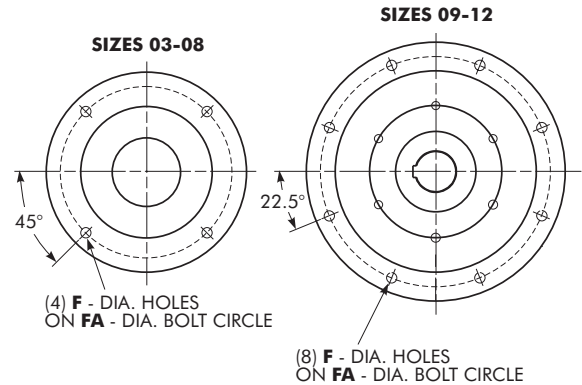
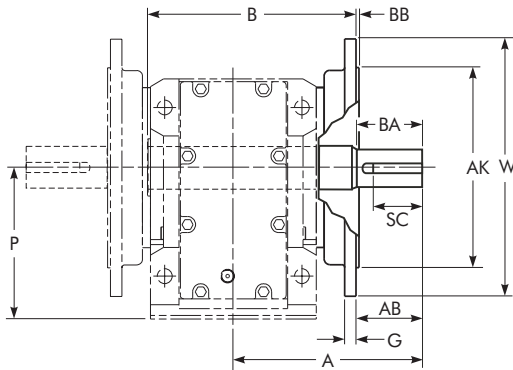
UB – Accessories

Output Flange & Output Shaft Kits

08UBF – Standard Output Flange

08UBFB – Single Ended L.H. Output Shaft

08UBFC – Single Ended R.H. Output Shaft



DIMENSIONS – INCHES

SIZE ★	A	AB	AK	B	BA	BB	F	FA	G	P	SC	W	Output Flange Kit Part Number	Output Shaft Kit Part Number Single Extension Left or Right Hand Used With Output Flange Drive Only
03	5.28	1.97	4.33 j6	5.67	1.97	0.14	0.35	5.12	0.39	3.94	1.57	6.30	1940547	1940972
04	6.89	2.36	5.12 j6	7.48	2.36	0.14	0.43	6.50	0.47	4.41	1.97	7.87	1940548	1940973
05	6.93	2.76	7.09 j6	7.44	2.76	0.16	0.55	8.46	0.63	5.20	2.36	9.84	1940981	1940971
06	8.27	3.15	7.09 j6	8.66	3.15	0.16	0.55	8.46	0.63	5.51	2.76	9.84	1940982	1940975
07	9.53	3.94	9.06 j6	9.72	3.94	0.16	0.55	10.43	0.71	7.09	3.15	11.81	1940983	1940976
08	11.22	4.72	9.84 h6	11.22	4.72	0.20	0.71	11.81	0.71	8.35	3.94	13.78	1940551	1940977
09	13.43	5.51	13.78 h6	13.82	5.51	0.20	0.71	15.75	0.79	10.43	4.33	17.72	1940552	1940978
10	15.96	6.69	13.78 h6	16.16	6.69	0.20	0.71	15.75	0.87	12.40	5.51	17.72	1940779	1940979
12	18.72	8.27	13.78 h6	18.52	8.27	0.20	0.71	15.75	0.87	14.76	7.09	17.72	1940779	1940980

★ Refer to Page 6 for General Information and Reference Notes.

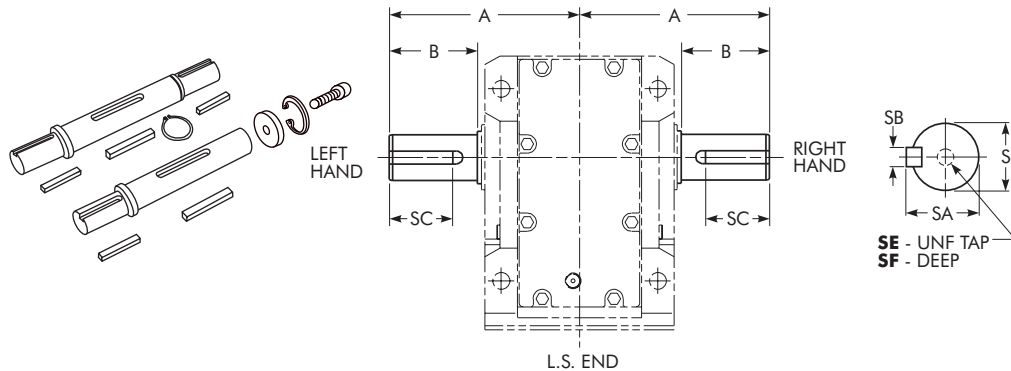
Output Shaft Kits — Single & Double Ended When Viewed From L.S. End

NOTE: When L.S.S. is to be mounted, indicate L.H. or R.H. when viewing drive from L.S. End.

08UBBB – Single Ended L.H. (Left Hand)

08UBBC – Single Ended R.H. (Right Hand)

08UBBD – Double Ended



DIMENSIONS – INCHES

DRIVE SIZE ★	A	B		SC		SE	SF	Single Extension			Double Extension			Output Shaft Kit Part Number Single Extension Left or Right Hand	Output Shaft Kit Part Number Double Extension
		Single Extension	Double Extension	Single Extension	Double Extension			S +0.000 -0.010	SA	SB	S +0.000 -0.010	SA	SB		
03	4.33	1.85	1.85	1.4375	1.4375	3/8	0.75	1.0000	1.106	0.2500	1.0000	1.106	0.2500	1940962	1940967
04	5.31	2.20	2.20	2.0000	2.0000	1/2	1.13	1.2500	1.359	0.2500	1.2500	1.359	0.2500	1940963	1940968
05	6.02	2.60	2.60	2.3750	2.3750	5/8	1.50	1.3750	1.507	0.3125	1.3750	1.507	0.3125	1940964	1940969
06	6.73	3.00	3.00	2.3750	2.3750	5/8	1.50	1.6250	1.784	0.3750	1.4996 †	1.664	0.3750	1940965	1940970
07	8.11	3.74	3.74	2.7500	2.7500	5/8	1.50	2.0000	2.228	0.5000	2.0000	2.228	0.5000	1940966	1940971
08	9.45	4.49	4.49	3.6875	3.6875	3/4	1.65	2.3750	2.65	0.6250	2.3746 †	2.65	0.6250	1940658	1940659
09	11.46	5.32	5.32	4.6250	3.6875	3/4	1.65	2.8750	3.20	0.7500	2.6250	3.03	0.6250	1940663	1940664
10	13.66	6.77	6.42	5.9375	4.6250	3/4	1.65	3.6250	4.01	0.8750	3.1250	3.45	0.7500	1940786	1940787
12	16.46	8.39	7.87	6.5000	6.5000	1	2.17	4.3750	4.81	1.0000	3.8750	4.31	1.0000	1940789	1940790

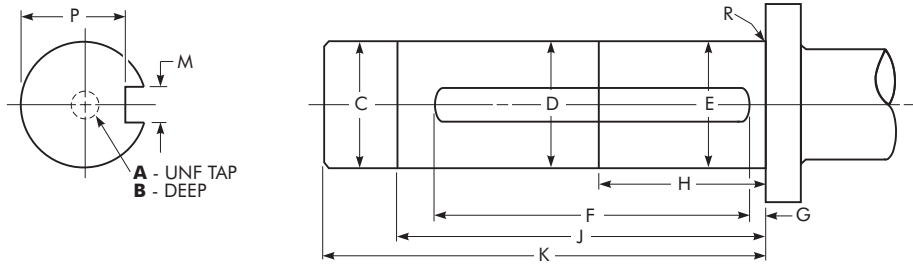
★ Refer to Page 6 for General Information and Reference Notes.

† Tolerance is +.0000 –.0006.

‡ Tolerance is +.0000 –.0007.

UB – Accessories

Customer Shaft

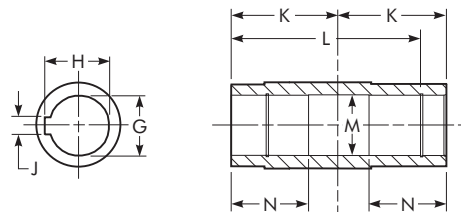


DIMENSIONS – INCHES

Drive Size ★	A	B	C	D	E	F	G	H	J	K	M	P	R
03	3/8	0.875	1.2496 1.2490	1.23	1.2496 1.2490	3.00	0.12	1.77	2.64	3.23	0.2520 0.2500	1.112 1.106	0.030
04	1/2	1.25	1.3746 1.3740	1.36	1.3746 1.3740	3.56	0.12	2.36	3.50	4.29	0.3145 0.3125	1.201 1.195	0.030
05	5/8	1.69	1.4996 1.4990	1.48	1.4996 1.4990	3.63	0.12	2.36	3.62	4.41	0.3770 0.3750	1.289 1.283	0.030
06	5/8	1.69	1.4996 1.4990	1.48	1.4996 1.4990	4.00	0.12	2.95	3.98	4.96	0.3770 0.3750	1.289 1.283	0.030
07	5/8	1.42	1.9996 1.9990	1.98	1.9996 1.9990	5.00	0.12	3.54	4.84	6.02	0.5020 0.5000	1.718 1.712	0.030
08	3/4	1.65	2.3746 2.3739	2.35	2.3746 2.3739	5.00	0.12	3.54	5.63	6.81	0.6270 0.6250	2.021 2.006	0.030
09	3/4	1.65	2.7496 2.7489	2.73	2.7496 2.7489	5.35	0.12	4.13	7.75	9.13	0.6270 0.6250	2.402 2.387	0.030
10	3/4	1.65	3.2495 3.2486	3.23	3.2495 3.2486	6.75	0.20	4.72	9.26	10.83	0.7520 0.7500	2.831 2.816	0.030
12	1	2.00	3.9995 3.9986	3.98	3.9995 3.9986	7.50	0.39	5.91	10.90	12.87	1.0020 1.0000	3.436 3.421	0.030

★ Refer to Page 6 for General Information and Reference Notes.

Hollow Output Shaft

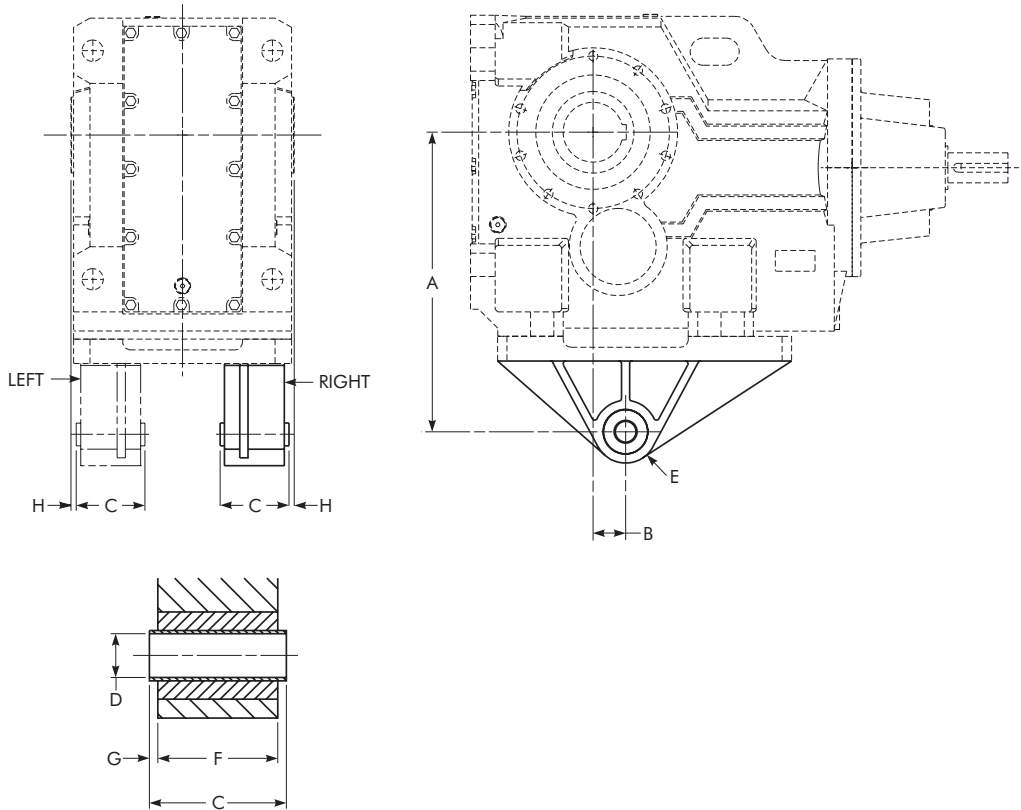


DIMENSIONS – INCHES

DRIVE SIZE	03	04	05	06	07	08	09	10	12
Dimensions									
G	1.251 1.250	1.376 1.375	1.501 1.500	1.501 1.500	2.001 2.000	2.3762 2.3750	2.7512 2.7500	3.2514 3.2500	4.0014 4.0000
H	1.377	1.525	1.675	1.675	2.230	2.656	3.037	3.591	4.446
J	0.250	0.3125	0.375	0.375	0.500	0.625	0.625	0.750	1.000
K	2.362	2.953	3.2675	3.5435	4.134	4.7245	5.9055	6.890	8.071
L	4.13	5.12	5.59	6.14	7.20	8.268	10.630	12.323	14.685
M	1.26	1.38	1.51	1.51	2.02	2.382	2.772	3.268	4.020
N	2.07	2.60	2.87	3.15	3.64	4.134	5.217	6.102	7.087

UB – Accessories

Torque Arm Bracket



DIMENSIONS – INCHES

DRIVE SIZE	A	B	C	D +0.020 -0.000	E	F	G	H	Kit Part Number	
									Right	Left
03	5.51	0.93	1.42	0.406	0.79	1.26	0.08	0.79	1940984	1940985
04	6.30	1.18	1.42	0.406	0.79	1.26	0.08	0.79	1940986	1940986
05	7.56	1.57	2.36	0.642	1.38	2.20	0.08	0.71	1940987	1940988
06	7.87	1.77	2.36	0.642	1.38	2.20	0.08	0.98	1940989	1940989
07	9.84	2.07	2.36	0.642	1.38	2.20	0.08	0.98	1940990	1940990
08	11.81	2.36	3.15	0.974	1.57	2.76	0.20	1.18	1940660	1940660
09	13.78	2.76	3.94	0.974	1.57	3.54	0.20	1.57	1940665	1940665
10	17.72	2.91	3.94	0.974	1.57	3.54	0.20	1.77	1940788	1940788
12	21.65	2.36	4.96	1.486	2.28	4.33	0.31	0.39	1940791	1940791

Torque Arm Load Reaction (lbs) ★

DRIVE SIZE	Maximum Load (lbs)
03	715
04	1215
05	1515
06	1810
07	2910
08	3985
09	5430
10	7160
12	10010

★ Based on worst case loading conditions, consult Falk for loads based on specific application data.

UB – Drive Mounting Bolts

Max Permissible Size

DRIVE SIZE	Metric Bolt	Inch Bolt
03	M10	.375
04	M10	.375
05	M12	.500
06	M12	.500
07	M16	.625
08	M20	.750
09	M24	1.000
10	M30	1.250
12	M36	1.500

Torque Arm Anchoring Fasteners

DRIVE SIZE	Metric Fastener	Inch Fastener
03	M10	.375-16UNC
04	M10	.375-16UNC
05	M16	.625-11UNC
06	M16	.625-11UNC
07	M24	.875-9UNC
08	M24	.875-9 UNC
09	M24	.875-9 UNC
10	M24	.875-9 UNC
12	M36	1.375-6 UNC

UB – Approximate Shipping Weights – lb

DRIVE SIZE	Motor Frame Size																
	56C	143TC	145TC	182TC	184TC	213TC	215TC	254TC	256TC	284TC	286TC	324TC	326TC	364TC	365TC	404TC	405TC
Gearmotor Without Motor																	
03UB3	38	38	38	41													
03UB5	57	57	57	60													
04UB3	50	50	50	52													
04UB5	68	68	68	71													
05UB3	69	69	69	84	84												
05UB5	99	99	99	102													
06UB3	86	86	86	102	102												
06UB5	117	117	117	119													
07UB3	129	129	129	142	142	142	142	142									
07UB5	157	157	157	160	160												
08UB3	257	257	257	265	265	265	265	265	265								
08UB5	307	307	307	323	323	323	323										
09UB3	388	388	388	388	388	388	423	423	423	423				
09UB5	434	434	434	450	450	450	450										
10UB3	664	664	664	664	664	664	699	699	699	699				
10UB5	710	710	710	723	723	723	723										
12UB3	971	971	983	983	983	983	983	983	996	996	996	996	1027	1027
12UB5	1063	1063	1063	1076	1076	1076	1076	1076	1073								
Gearmotor With Motor																	
03UB3	63	72	79	100													
03UB5	82	91	98	119													
04UB3	75	84	91	112													
04UB5	93	102	109	130													
05UB3	94	103	110	131	159												
05UB5	124	133	140	161													
06UB3	111	120	127	148	177												
06UB5	142	151	158	179													
07UB3	154	163	170	191	217	265	281	391									
07UB5	182	191	198	219	235												
08UB3	282	291	298	327	340	388	404	514	547								
08UB5	332	341	348														
09UB3	450	463	511	527	637	670	780	774	884	1073				
09UB5	459	468	475	496	509												
10UB3	726	739	787	803	913	946	1056	1050	1160	1314				
10UB5	735	744	751	785	798												
12UB3	1033	1046	1106	1122	1232	1265	1375	1299	1409	1646				
12UB5	1088	1097	1104	1138	1151	1199	1215										

DRIVE SIZE	Gear Drive
03UB3	35
03UB5	53
04UB3	46
04UB5	64
05UB3	71
05UB5	95
06UB3	88
06UB5	112
07UB3	134
07UB5	154
08UB3	249
08UB5	306
09UB3	384
09UB5	434
10UB3	675
10UB5	708
12UB3	1010
12UB5	1069

DRIVE SIZE	Accessories (Add to Gearmotor or Gear Drive Weight)	
	Output Flange	Output Shaft
03UB3	3	2
03UB5	3	2
04UB3	6	2
04UB5	6	2
05UB3	9	3
05UB5	9	3
06UB3	12	4
06UB5	12	4
07UB3	15	8
07UB5	15	8
08UB3	33	13
08UB5	33	13
09UB3	37	24
09UB5	37	24
10UB3	27	41
10UB5	57	41
12UB3	57	76
12UB5	57	76

This Page Left Intentionally Blank

This Page Left Intentionally Blank

This Page Left Intentionally Blank

Find out more about **FALK**

falkcorp.com

or CALL

THE FALK CORPORATION

Plant Locations

Main

P.O. Box 492 Zip 53201-0492
3001 W. Canal Street Zip
53208-4200

Milwaukee, WI USA
Phone: 1-800-852-FALK (3255)

or
414-342-3131
FAX: 414-937-4359
E-mail: falkinfo@falkcorp.com
Internet: www.falkcorp.com

Falk Capitol Drive
12001 West Capitol Drive
Milwaukee, WI 53222-1003
414-438-3031
FAX: 414-438-3049

Falk Auburn
1600 Pumphrey Ave.
Auburn, AL 36832
334-321-9120
FAX: 334-821-9103

Falk Renew
1903 South Moorland Blvd
New Berlin, WI 53151
262-317-1420
FAX: 262-317-1428

Falk Australia Pty.
34-36 Broadmeadow Rd
Broadmeadow, NSW 2294
61-2-4962-8000
FAX: 61-2-4962-8001

Global Sales Offices

United States

Atlanta, GA
334-728-0747

Birmingham, AL
205-661-3933

Baltimore, MD
410-666-3537

Charleston, WV
304-595-1394

Charlotte, NC
704-531-9250

Chicago, IL
847-677-6492

Cincinnati, OH
513-563-9699

Cleveland, OH
330-528-1557

Dallas, TX
469-556-7313

Denver, CO
303-980-5131

Detroit, MI
248-969-2553

Houston, TX
281-477-9570

Kansas City, KS
913-685-3254

Memphis, TN
901-309-0340

Miami, FL
305-820-9339

Milwaukee, WI
262-646-4346

Minneapolis, MN
763-522-0994

New Orleans, LA
504-832-1448

Northeast
860-355-0478

Northwest
360-546-3411

Omaha, NE
402-896-4520

Phoenix, AZ
480-460-7188

Pittsburgh, PA
412-563-1754

Rochester, NY
716-223-5205

St. Louis, MO
636-256-7600

Salt Lake City, UT
801-268-4419

Tampa, FL
941-358-1045

Canada

Calgary, AB
403-225-6630

Montreal, PQ
514-631-2163

Toronto, ON
416-674-0346

Vancouver, BC
604-946-8506

Latin America

Mexico, D.F.
52-5-333-2500

Santiago, Chile
56-2-231-5647

Sao Paulo, Brazil
55-11-882-1000

Europe

Halifax, United Kingdom
44-1484-401872

Asia/Pacific

Korea
82-42-603-5644

Newcastle, Australia
61-2-4962-8000

Perth, Australia
61-8-9414-7800

Shanghai, China
86-21-6219-6847

Singapore
65-444-0388

Taiwan
886-7-556-0263

Distribution Centers

Auburn, AL
PH 334-821-9100
FAX 414-937-4003

Milwaukee, WI
PH 414-342-3131
FAX 414-937-4359

Sacramento, CA
PH 877-937-6744
FAX 414-937-4444

Toronto, ON
PH 416-675-6071
FAX 416-213-1020