

**Servitecsa**

SERVICIOS INDUSTRIALES TECNICOS SOCIEDAD ANONIMA

Tel: +502 2296-4336 / 37

[info@servitecsa.co](mailto:info@servitecsa.co)

[www.servitecsa.co](http://www.servitecsa.co)

14 Avenida A 10-30 Zona 13

Guatemala, Guatemala

**REXNORD**

FlatTop Catalog

Download the most up-to-date version  
at [www.rexnord.com/documentation](http://www.rexnord.com/documentation)



# Rexnord Conveyor Components

2015 North America

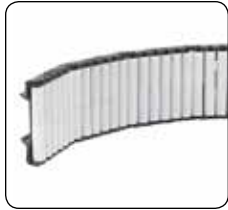
# Table of Contents

<b>Product Index</b> .....	<b>ii-vii</b>
<b>Introduction</b> .....	<b>viii</b>
<b>Product Handling Components</b> .....	<b>1-60</b>
Product Guides .....	1-28
Guide Rail Clamps .....	29-41
Guide Rail Brackets .....	42-58
Connecting Clamps .....	59, 60
<b>Chain Guide Components</b> .....	<b>61-70</b>
Chain Guide Profiles .....	61-67
Rollers for Chain Return .....	68-70
<b>Frame Support Components</b> .....	<b>71-76</b>
Miscellaneous .....	71
Bearing Heads .....	72
Side Mounting Top Brackets .....	73
Connecting Joints .....	74
Support Base .....	75, 76
<b>Roller Conveyor Components</b> .....	<b>77-82</b>
Roller End Bearings .....	77-81
Roller for Chain Return .....	82
<b>Miscellaneous Components</b> .....	<b>83-96</b>
Line Control Elements .....	83
Tightening Elements .....	84-89
Shaft Collars .....	90
Modular Transfer Plate .....	91, 92
Modular Nose-Over Bar .....	93-95
Hinge .....	96
<b>Supporting &amp; Leveling Elements</b> .....	<b>97-110</b>
Tube End .....	97-99
Articulated Feet .....	100-110
<b>Index</b> .....	<b>111-116</b>

# Product Index

					
<b>Round Guide Rail • Page 1</b>	<b>Flat Guide Rail • Page 1</b>	<b>Convex Guide Rail • Page 2</b>	<b>Wide Flat Guide Rail • Page 2</b>	<b>Round Guide Rail – Static Dissipative • Page 3</b>	<b>Flat Guide Rail – Static Dissipative • Page 3</b>
					
<b>Convex Guide Rail – Static Dissipative • Page 4</b>	<b>Wide Flat Guide Rail – Static Dissipative • Page 4</b>	<b>0.75in Tee Guide Rail • Page 5</b>	<b>1in Tee Guide Rail • Page 5</b>	<b>1.25in Tee Guide Rail • Page 6</b>	<b>1.60in Tee Guide Rail • Page 6</b>
					
<b>2.25in Tee Guide Rail • Page 7</b>	<b>0.75in Tee Guide Rail – Static Dissipative • Page 7</b>	<b>1in Tee Guide Rail – Static Dissipative • Page 8</b>	<b>1.25in Tee Guide Rail – Static Dissipative • Page 8</b>	<b>1.60in Tee Guide Rail – Static Dissipative • Page 9</b>	<b>2.25in Tee Guide Rail – Static Dissipative • Page 9</b>
					
<b>Round Guide Rail – Solid • Page 10</b>	<b>Flat Guide Rail – Solid • Page 10</b>	<b>Convex Guide Rail – Solid • Page 11</b>	<b>Wide Flat Guide Rail – Solid • Page 11</b>	<b>20mm Tee Guide Rail – Solid • Page 12</b>	<b>1in Tee Guide Rail – Solid • Page 12</b>
					
<b>1.25in Tee Guide Rail – Solid • Page 13</b>	<b>1.60in Tee Guide Rail – Solid • Page 13</b>	<b>2.25in Tee Guide Rail – Solid • Page 14</b>	<b>Round Guide Rail – Solid – Static Dissipative • Page 14</b>	<b>1.25in Tee Guide Rail – Solid – Static Dissipative • Page 15</b>	<b>Aluminum and UHMWPE Guide Rails – Half Round • Page 15</b>
					
<b>Combination Group B • Page 16</b>	<b>Combination Group C • Page 17</b>	<b>Combination Group D • Page 17</b>	<b>Center Roller Guide • Page 17</b>	<b>Center Roller Guide Divider Module • Page 18</b>	<b>Roller Side Guide – 580 • Page 18</b>

**Product Index**



**Roller Side Guide – 581 • Page 19**



**Stainless Steel M Profile • Page 19**



**Pearl™ Roller Side Guide – 1 Side 1 High • Page 20**



**Pearl™ Roller Center Guide – 2 Side 1 High • Page 21**



**Pearl™ Roller Side Guide – 1 Side 2 High • Page 22**



**Pearl™ Roller Center Guide – 2 Side 2 High • Page 23**



**Connecting Bar • Page 24**



**Pearl™ Roller Side Guide Module • Page 24**



**Roller Guide Separation Block – 852 • Page 24**



**Roller Guide Separation Block – 854 • Page 25**



**FastRail Corner Clip • Page 25**



**Spacer – 291 • Page 26**



**Spacer – 292 • Page 26**



**Rod Mounts With Knob – 641-K • Page 27**



**Rod Mounts With Nut – 641-N • Page 27**



**Rod Mounts With Knob – 641T-K • Page 28**



**Rod Mounts With Nut – 641T-N • Page 28**



**Rod Mounts With Ratchet Handle – 641T-R • Page 28**



**Single Rail Clamp – Round Hole • Page 29**



**Single Rail Clamp – Square Hole • Page 29**



**Double Rail Clamp – Round Hole • Page 29**



**Double Rail Clamp – Square Hole • Page 30**



**Double Rail Clamp – Square Hole 3in • Page 30**



**Rail Clamp & Metal Rod Combination • Page 31**



**Rail Clamp for Rod or Flat Bar • Page 31**



**Rod Clamp for Rod or Flat Bar • Page 32**



**Adjusting Rods – Grooved • Page 32**



**Jointed Adjusting Rod – Grooved • Page 33**



**Rod End For Guide Rail • Page 33**



**Splice Sleeves • Page 34**



**ViseSplice™ • Page 34**



**ViseSplice™ With Knobs • Page 35**



**ViseClamp™ • Page 35**



**Aluminum Compression Clip • Page 36**



**Backing Plate • Page 36**

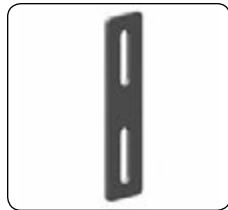


**Plastic Compression Clip • Page 36**

**Product Index**

<i>Clamp and Metal Rod Combination for Round Rod • Page 37</i>	<i>Guide Rail Clamp For Round Rods • Page 37</i>	<i>Adjusting Rods – Tapped – 1/2in • Page 38</i>	<i>Adjusting Rods – Tapped – 5/8in • Page 39</i>	<i>Jointed Adjusting Rod – Tapped • Page 40</i>	<i>Jointed Rod Adaptor • Page 40</i>
<i>Support Rods With Caps • Page 41</i>	<i>Heavy Duty Guide Rail Bracket with Eyebolt – 221 • Page 42</i>	<i>Bracket Body – 203L • Page 42</i>	<i>Guide Rail Bracket with Stainless Swivel Head – 203LHS • Page 43</i>	<i>Guide Rail Bracket with Swivel Head – 203LTC • Page 43</i>	<i>Swivel Cap Assembly – 13129V • Page 44</i>
<i>Swivel Cap Assembly – 203HTS • Page 44</i>	<i>Guide Rail Bracket with Eyebolt – 210 • Page 45</i>	<i>Swivel Cap Assembly – 202HS • Page 45</i>	<i>Swivel Cap Assembly – 203HS • Page 46</i>	<i>Swivel Cap Assembly – 203TC • Page 46</i>	<i>T-Clamp With Eyebolt • Page 47</i>
<i>Lower Conveyor Bracket – Type 1 • Page 47</i>	<i>Lower Conveyor Bracket – Type 2 • Page 48</i>	<i>Lower Conveyor Bracket – Type 3 • Page 48</i>	<i>Upper Conveyor Bracket – Type A • Page 49</i>	<i>Upper Conveyor Bracket – Type B • Page 49</i>	<i>Upper Conveyor Bracket – Type C • Page 50</i>
<i>Bracket With Eyelet and Nut – 253N • Page 50</i>	<i>Bracket With Hex Head Bolt – 253B • Page 51</i>	<i>Bracket With Hex Hand Knob – 253K • Page 51</i>	<i>Spacer – 293 • Page 52</i>	<i>Heavy Duty Stainless Steel Bracket With Knob • Page 52</i>	<i>Heavy Duty Stainless Steel Bracket With Nut • Page 52</i>
<i>Long Angle Bracket – Double Slot • Page 53</i>	<i>Standard Angle Bracket – Single Slot • Page 53</i>	<i>Standard Angle Bracket – Double Slot • Page 54</i>	<i>Long Angle Bracket – Single Slot • Page 54</i>	<i>Standard Metal “L” Bracket Assemblies • Page 55</i>	<i>Fixed Guide Rail Bracket • Page 56</i>

# Product Index



**Adjustable Support Bar • Page 56**



**Adjusting Rod Protective Caps • Page 56**



**Adjusting Rod Safety Caps • Page 57**



**Mounting Bars • Page 57**



**Cross Block with Quick-Set • Page 58**



**Cross Clamp with Ratchet Handle Clamping – Square Bore • Page 58**



**Heavy Duty Cross Blocks • Page 59**



**Stainless Steel Cross Blocks • Page 59**



**Light Duty Cross Block • Page 60**



**Cross Block • Page 60**



**EII Tee Edge Guide • Page 61**



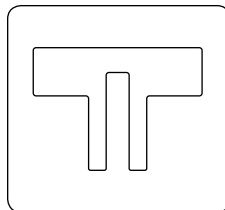
**Tab Guide • Page 61**



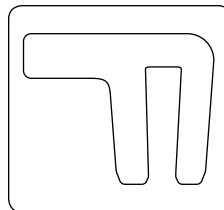
**Chain Guide Profile – 367 • Page 62**



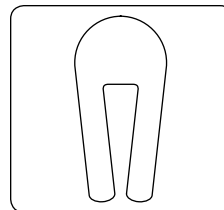
**Chain Guide Mounting Block • Page 62**



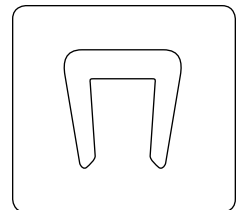
**Bar Caps • Page 63**



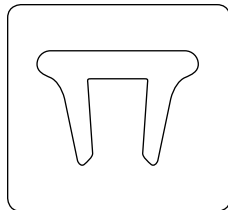
**Bar Caps • Page 63**



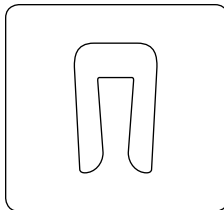
**Bar Caps • Page 63**



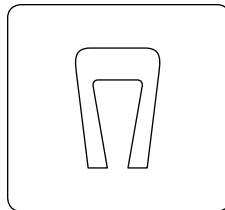
**Bar Caps • Page 63**



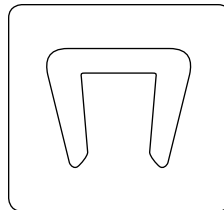
**Bar Caps • Page 64**



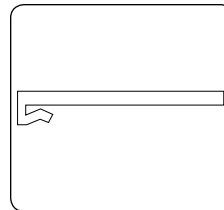
**Bar Caps • Page 64**



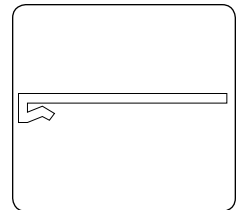
**Bar Caps • Page 64**



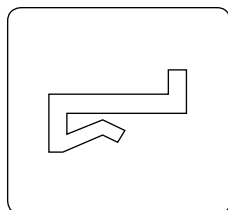
**Bar Caps • Page 64**



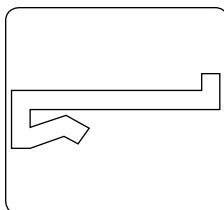
**J-Leg Profiles • Page 65**



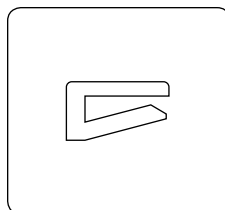
**J-Leg Profiles • Page 65**



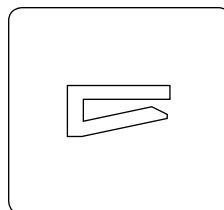
**J-Leg Profiles • Page 65**



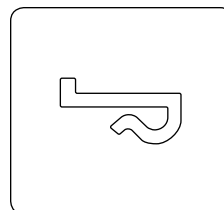
**J-Leg Profiles • Page 65**



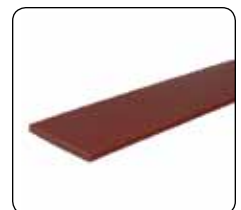
**J-Leg Profiles • Page 65**



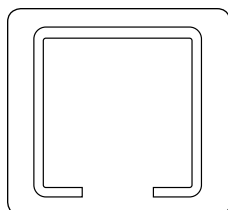
**J-Leg Profiles • Page 65**



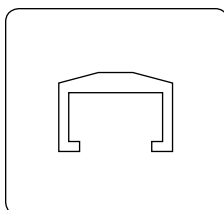
**J-Leg Profiles • Page 65**



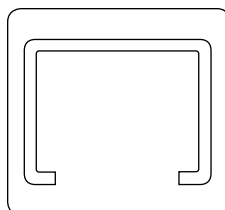
**Flat Profile • Page 66**



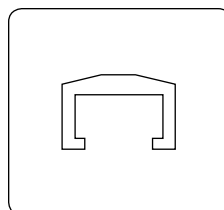
**Tube Covers • Page 66**



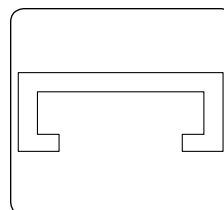
**Tube Covers • Page 66**



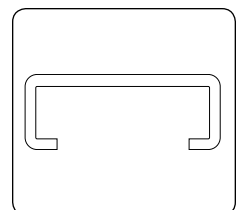
**Tube Covers • Page 66**



**Tube Covers • Page 66**



**Bar Covers • Page 67**



**Bar Covers • Page 67**

# Product Index

					
<b>Bar Covers • Page 67</b>	<b>Drive Rivet • Page 67</b>	<b>2.36in Dia Roller (With Rubber Surface) • Page 68</b>	<b>2.36in Dia Roller with Flange (With Rubber Surface) • Page 68</b>	<b>2.36in Double Roller (With Rubber Surface) • Page 69</b>	<b>2.9in Dia Roller (With Rubber Surface) • Page 69</b>
					
<b>2.9in Dia Roller with Flange (With Rubber Surface) • Page 70</b>	<b>Tube Caps • Page 71</b>	<b>Post Cap – Square • Page 72</b>	<b>Post Cap – Rectangle • Page 72</b>	<b>Side Mount Post Cap • Page 73</b>	<b>Connecting Joints • Page 74</b>
					
<b>Bipod Base • Page 75</b>	<b>Bipod Base with Cross Tie • Page 75</b>	<b>Tripod Base • Page 76</b>	<b>Bearing Insert – Lubricated Nylon – Blind Bore • Page 77</b>	<b>Bearing Insert – Lubricated Nylon – Through Bore • Page 77</b>	<b>Bearing Insert – Lubricated UHMWPE – Blind Bore • Page 77</b>
					
<b>Bearing Insert – Lubricated UHMWPE – Through Bore • Page 78</b> <b>ABS End Cap with</b>	<b>Lubricated Nylon Bearing Insert – Blind Bore • Page 78</b>	<b>ABS End Cap with Lubricated Nylon Bearing Insert – Through Bore • Page 79</b>	<b>ABS End Cap with Lubricated UHMWPE Bearing Insert – Blind Bore • Page 80</b>	<b>ABS End Cap with Lubricated UHMWPE Bearing Insert – Through Bore • Page 81</b>	<b>Round Roller Shafts • Page 82</b>
					
<b>Contact Lever • Page 83</b>	<b>Sensor Mount • Page 83</b>	<b>Knob – Female – 182 • Page 84</b>	<b>Knob – Male – 280 • Page 84</b>	<b>Knob – Female – 281 • Page 84</b>	<b>Knob – Female – 282 • Page 85</b>
					
<b>Knob – Male – 282 • Page 85</b>	<b>Ratchet Handles – Male – Imperial • Page 86</b>	<b>Ratchet Handles – Female – Imperial • Page 87</b>	<b>Ratchet Handles – Male – Metric • Page 88</b>	<b>Ratchet Handles – Female – Metric • Page 89</b>	<b>Split Shaft Collars – Round Bore • Page 90</b>

**Product Index**



**Split Shaft Collars – Square Bore • Page 90**



**Center Transfer Module • Page 91**



**End Transfer Module (without Lip) • Page 91**



**End Transfer Module with Lip (3 Axle) • Page 92**



**End Transfer Module with Lip (2 Axle) • Page 92**



**Dynamic Nose-Over Bar For 1500 Series Chains • Page 93**



**Dynamic Nose-Over Bar For 8500 Series Chains • Page 93**



**Modular Nose-Over Bar Low Profile • Page 94**



**Modular Nose-Over Bar Standard Profile • Page 94**



**Modular Nose-Over Bar Replacement Profile • Page 95**



**Hinge • Page 96**



**Tube End – Round • Page 97**



**Tube End – Square • Page 98**



**Tube End – Rectangular • Page 99**



**Articulating Leveler – 537 • Page 100**



**Articulating Leveler – 505 • Page 100**



**Articulating Leveler – 511 • Page 101**



**Articulating Leveler – 511H • Page 102**



**Articulating Leveler – 511-T • Page 103**



**Articulating Leveler – 511H-T • Page 104**



**Articulating Leveler – 513H • Page 105**



**Articulating Leveler – 517-K • Page 105**



**Articulating Leveler – 520 • Page 106**



**Articulating Leveler – 520-K • Page 106**



**Articulating Leveler – 520-T • Page 107**



**Articulating Leveler – 133 • Page 107**



**Articulating Leveler – 169 • Page 108**



**Articulating Leveler – 323 • Page 108**



**Articulating Leveler – 479 • Page 109**



**Articulating Leveler – 94 • Page 109**



**Anti-Slip Pads • Page 110**





## Introduction

When it comes to providing highly engineered products that improve productivity and efficiency for product handling applications worldwide, Rexnord is the most reliable in the industry. Our commitment to customer satisfaction and superior value extends to every area of our business.

We offer a complete portfolio of MatTop® and TableTop® Conveyor Chain and Rexnord Conveyor Components. These leading edge solutions are designed to continuously improve productivity for customers in a variety of industries including automotive, food, beverage, warehouse/distribution and container handling. Rexnord FlatTop® Chain performance is maximized when used with low-friction, low-wear Rexnord Chain Guide-return solutions.

### Rexnord Chain Guides and Return Solutions Increase Uptime

- Low wear for extended chain and wear strip life
- Low friction for low chain pull and energy savings
- High-speed capability for increased productivity and optimized performance
- Bi-material return rollers for reduced noise and high-speed capabilities
- Lowest total cost of ownership through reduced downtime, maintenance and replacement costs

### Rexnord Product Guides Reduce Damage to Products

- Low friction roller side guides increase efficiency by preventing costly container damage and discards due to product tippage
- Specific profile design to ensure product stability and throughput
- Ideal for container, package and beverage handling applications

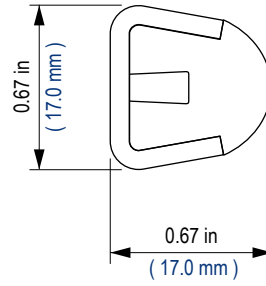
### Rexnord Conveyor Construction Components Save Time

- Modular design eliminates need for welding, minimizes assembly time and reduces conveyor construction costs
- Strong and rigid design with declared mechanical values
- High-performance materials designed to meet the most demanding and unique applications
- Easy-to-clean design meets sanitation requirements
- High corrosion and chemical resistance

Our team of experienced application engineers are available to help you select the ideal product for your applications. Contact us today at 262-376-4800.



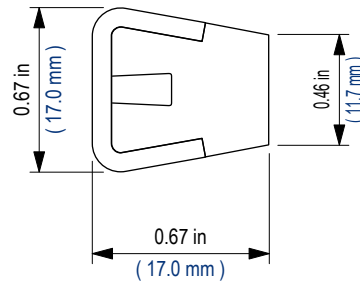
## Round Guide Rail



Part Number	Reference Description	Length	
		ft	m
10324428	RX-SSR-8	8	2.44
10324433	RX-SSR-10	10	3.05
10324431	RX-SSR-12	12	3.66
10324429	RX-SSR-20	20	6.10

- Material: Polyethylene UHMWPE with molecular density 5,600,000 g/mol
- 14-gauge stainless steel sheath
- Linear expansion coefficient:  $2.2 \times 10^{-5} \text{ } ^\circ\text{F}^{-1}$  ( $4 \times 10^{-5} \text{ } ^\circ\text{C}^{-1}$ )
- See engineering manual for calculation of thermal expansion.

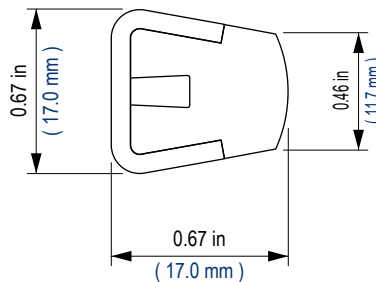
## Flat Guide Rail



Part Number	Reference Description	Length	
		ft	m
10324440	RX-SSF-8	8	2.44
10324437	RX-SSF-10	10	3.05
10324438	RX-SSF-12	12	3.66
10324439	RX-SSF-20	20	6.10

- Material: Polyethylene UHMWPE (white) with molecular density 5,600,000 g/mol
- 14-gauge stainless steel sheath
- Linear expansion coefficient:  $2.2 \times 10^{-5} \text{ } ^\circ\text{F}^{-1}$  ( $4 \times 10^{-5} \text{ } ^\circ\text{C}^{-1}$ )
- See engineering manual for calculation of thermal expansion.

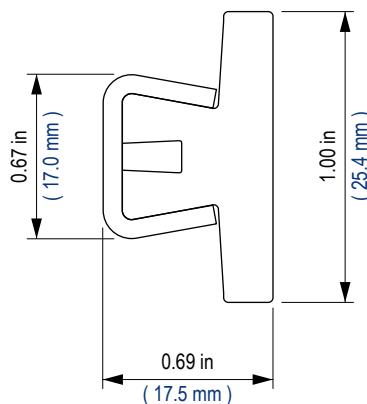
### Convex Guide Rail



Part Number	Reference Description	Length	
		ft	m
10324449	RX-SSM-8	8	2.44
10324446	RX-SSM-10	10	3.05
10324447	RX-SSM-12	12	3.66
10324448	RX-SSM-20	20	6.10

- Material: Polyethylene UHMWPE with molecular density 5,600,000 g/mol
- 14-gauge stainless steel sheath
- Linear expansion coefficient:  $2.2 \times 10^{-5} \text{ } ^\circ\text{F}^{-1}$  ( $4 \times 10^{-5} \text{ } ^\circ\text{C}^{-1}$ )
- See engineering manual for calculation of thermal expansion.

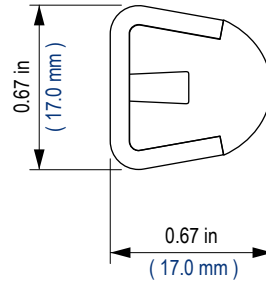
### Wide Flat Guide Rail



Part Number	Reference Description	Length	
		ft	m
10324353	RX-SSWF-8	8	2.44
10324349	RX-SSWF-10	10	3.05
10324350	RX-SSWF-12	12	3.66
10324352	RX-SSWF-20	20	6.10

- Material: Polyethylene UHMWPE with molecular density 5,600,000 g/mol
- 14-gauge stainless steel sheath
- Linear expansion coefficient:  $2.2 \times 10^{-5} \text{ } ^\circ\text{F}^{-1}$  ( $4 \times 10^{-5} \text{ } ^\circ\text{C}^{-1}$ )
- See engineering manual for calculation of thermal expansion.

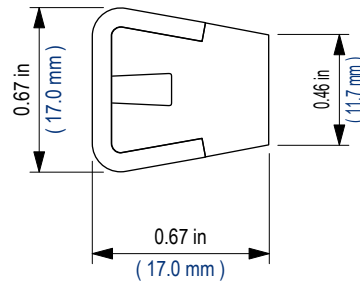
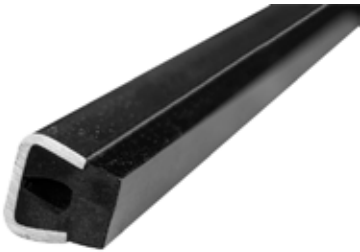
### Round Guide Rail – Static Dissipative



Part Number	Reference Description	Length	
		ft	m
10324416	RX-SSR-SD-8	8	2.44
10324421	RX-SSR-SD-10	10	3.05
10324420	RX-SSR-SD-12	12	3.66
10324418	RX-SSR-SD-20	20	6.10

- Material: Static dissipative polyethylene UHMWPE with molecular density 5,600,000 g/mol
- 14-gauge stainless steel sheath
- Linear expansion coefficient:  $2.2 \times 10^{-5} \text{ } ^\circ\text{F}^{-1}$  ( $4 \times 10^{-5} \text{ } ^\circ\text{C}^{-1}$ )
- See engineering manual for calculation of thermal expansion.

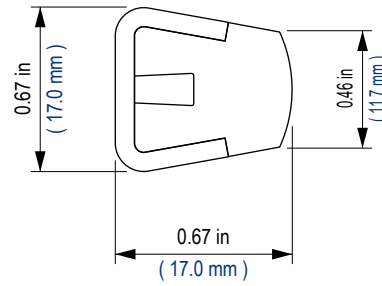
### Flat Guide Rail – Static Dissipative



Part Number	Reference Description	Length	
		ft	m
10324445	RX-SSF-SD-8	8	2.44
10324441	RX-SSF-SD-10	10	3.05
10324442	RX-SSF-SD-12	12	3.66
10324444	RX-SSF-SD-20	20	6.10

- Material: Static dissipative polyethylene UHMWPE with molecular density 5,600,000 g/mol
- 14-gauge stainless steel sheath
- Linear expansion coefficient:  $2.2 \times 10^{-5} \text{ } ^\circ\text{F}^{-1}$  ( $4 \times 10^{-5} \text{ } ^\circ\text{C}^{-1}$ )
- See engineering manual for calculation of thermal expansion.

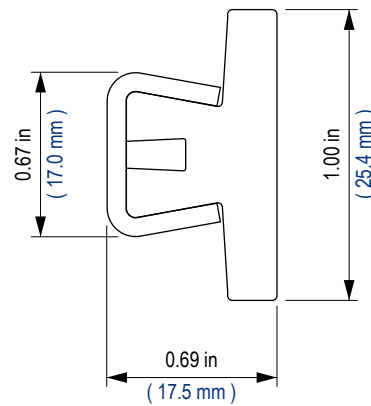
### Convex Guide Rail – Static Dissipative



Part Number	Reference Description	Length	
		ft	m
10324453	RX-SSM-SD-8	8	2.44
10324450	RX-SSM-SD-10	10	3.05
10324451	RX-SSM-SD-12	12	3.66
10324452	RX-SSM-SD-20	20	6.10

- Material: Static dissipative polyethylene UHMWPE with molecular density 5,600,000 g/mol
- 14-gauge stainless steel sheath
- Linear expansion coefficient:  $2.2 \times 10^{-5} \text{ } ^\circ\text{F}^{-1}$  ( $4 \times 10^{-5} \text{ } ^\circ\text{C}^{-1}$ )
- See engineering manual for calculation of thermal expansion.

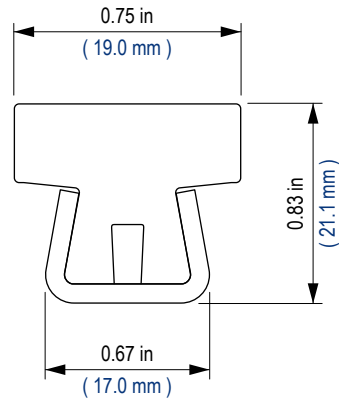
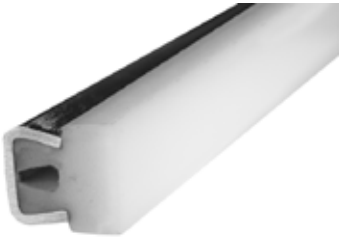
### Wide Flat Guide Rail – Static Dissipative



Part Number	Reference Description	Length	
		ft	m
10324359	RX-SSWF-SD-8	8	2.44
10324354	RX-SSWF-SD-10	10	3.05
10324355	RX-SSWF-SD-12	12	3.66
10324357	RX-SSWF-SD-20	20	6.10

- Material: Static dissipative polyethylene UHMWPE with molecular density 5,600,000 g/mol
- 14-gauge stainless steel sheath
- Linear expansion coefficient:  $2.2 \times 10^{-5} \text{ } ^\circ\text{F}^{-1}$  ( $4 \times 10^{-5} \text{ } ^\circ\text{C}^{-1}$ )
- See engineering manual for calculation of thermal expansion.

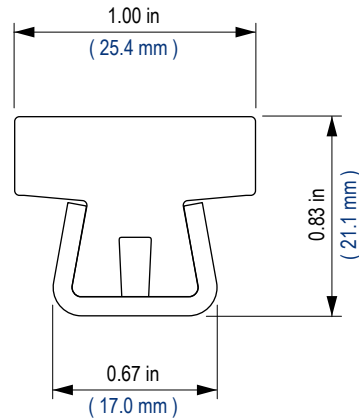
### 0.75in Tee Guide Rail



Part Number	Reference Description	Length	
		ft	m
10324161	RX-SST-.75-10	10	3.05
10324162	RX-SST-.75-20	20	6.10

- Material: Polyethylene UHMWPE with molecular density 5,600,000 g/mol
- 14-gauge stainless steel sheath
- Linear expansion coefficient:  $2.2 \times 10^{-5} \text{ } ^\circ\text{F}^{-1}$  ( $4 \times 10^{-5} \text{ } ^\circ\text{C}^{-1}$ )
- See engineering manual for calculation of thermal expansion.

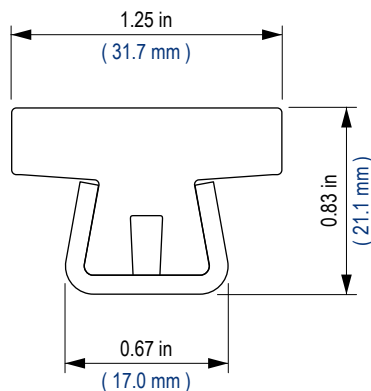
### 1in Tee Guide Rail



Part Number	Reference Description	Length	
		ft	m
10324169	RX-SST-1.00-8	8	2.44
10324165	RX-SST-1.00-10	10	3.05
10324167	RX-SST-1.00-12	12	3.66
10324168	RX-SST-1.00-20	20	6.10

- Material: Polyethylene UHMWPE with molecular density 5,600,000 g/mol
- 14-gauge stainless steel sheath
- Linear expansion coefficient:  $2.2 \times 10^{-5} \text{ } ^\circ\text{F}^{-1}$  ( $4 \times 10^{-5} \text{ } ^\circ\text{C}^{-1}$ )
- See engineering manual for calculation of thermal expansion.

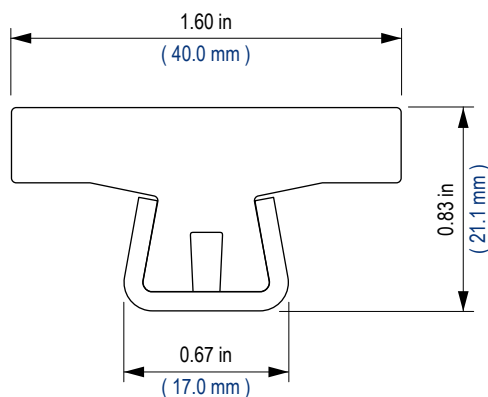
### 1.25in Tee Guide Rail



Part Number	Reference Description	Length	
		ft	m
10324178	RX-SST-1.25-8	8	2.44
10324174	RX-SST-1.25-10	10	3.05
10324175	RX-SST-1.25-12	12	3.66
10324176	RX-SST-1.25-20	20	6.10

- Material: Polyethylene UHMWPE with molecular density 5,600,000 g/mol
- 14-gauge stainless steel sheath
- Linear expansion coefficient:  $2.2 \times 10^{-5} \text{ } ^\circ\text{F}^{-1}$  ( $4 \times 10^{-5} \text{ } ^\circ\text{C}^{-1}$ )
- See engineering manual for calculation of thermal expansion.

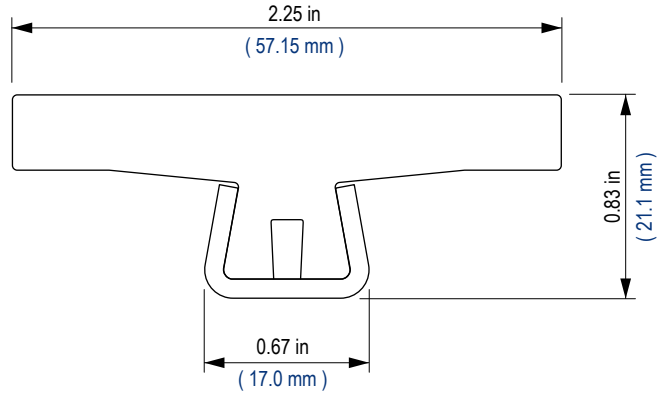
### 1.60in Tee Guide Rail



Part Number	Reference Description	Length	
		ft	m
10324186	RX-SST-1.60-8	8	2.44
10324183	RX-SST-1.60-10	10	3.05
10324184	RX-SST-1.60-12	12	3.66
10324185	RX-SST-1.60-20	20	6.10

- Material: Polyethylene UHMWPE with molecular density 5,600,000 g/mol
- 14-gauge stainless steel sheath
- Linear expansion coefficient:  $2.2 \times 10^{-5} \text{ } ^\circ\text{F}^{-1}$  ( $4 \times 10^{-5} \text{ } ^\circ\text{C}^{-1}$ )
- See engineering manual for calculation of thermal expansion.

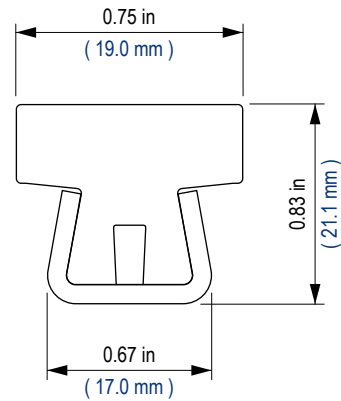
## 2.25in Tee Guide Rail



Part Number	Reference Description	Length	
		ft	m
10324204	RX-SST-2.25-8	8	2.44
10324200	RX-SST-2.25-10	10	3.05
10324201	RX-SST-2.25-12	12	3.66
10324203	RX-SST-2.25-20	20	6.10

- Material: Polyethylene UHMWPE with molecular density 5,600,000 g/mol
- 14-gauge stainless steel sheath
- Linear expansion coefficient:  $2.2 \times 10^{-5} \text{ }^\circ\text{F}^{-1}$  ( $4 \times 10^{-5} \text{ }^\circ\text{C}^{-1}$ )
- See engineering manual for calculation of thermal expansion.

## 0.75in Tee Guide Rail – Static Dissipative

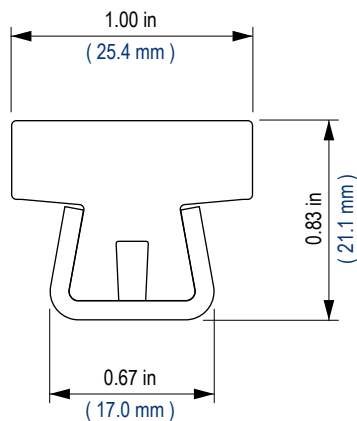


Part Number	Reference Description	Length	
		ft	m
10324163	RX-SST-.75-SD-10	10	3.05
10324164	RX-SST-.75-SD-20	20	6.10

- Material: Static dissipative polyethylene UHMWPE with molecular density 5,600,000 g/mol
- 14-gauge stainless steel sheath
- Linear expansion coefficient:  $2.2 \times 10^{-5} \text{ }^\circ\text{F}^{-1}$  ( $4 \times 10^{-5} \text{ }^\circ\text{C}^{-1}$ )
- See engineering manual for calculation of thermal expansion.



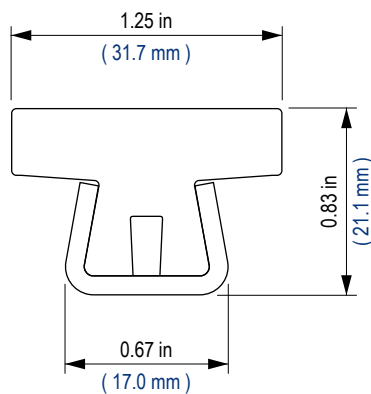
### 1in Tee Guide Rail – Static Dissipative



Part Number	Reference Description	Length	
		ft	m
10324173	RX-SST-1.00-SD-8	8	2.44
10324170	RX-SST-1.00-SD-10	10	3.05
10324171	RX-SST-1.00-SD-12	12	3.66
10324172	RX-SST-1.00-SD-20	20	6.10

- Material: Static dissipative polyethylene UHMWPE with molecular density 5,600,000 g/mol
- 14-gauge stainless steel sheath
- Linear expansion coefficient:  $2.2 \times 10^{-5} \text{ }^\circ\text{F}^{-1}$  ( $4 \times 10^{-5} \text{ }^\circ\text{C}^{-1}$ )
- See engineering manual for calculation of thermal expansion.

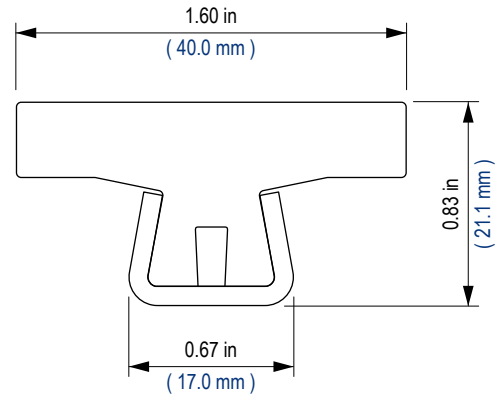
### 1.25in Tee Guide Rail – Static Dissipative



Part Number	Reference Description	Length	
		ft	m
10324182	RX-SST-1.25-SD-8	8	2.44
10324179	RX-SST-1.25-SD-10	10	3.05
10324180	RX-SST-1.25-SD-12	12	3.66
10324181	RX-SST-1.25-SD-20	20	6.10

- Material: Static dissipative polyethylene UHMWPE with molecular density 5,600,000 g/mol
- 14-gauge stainless steel sheath
- Linear expansion coefficient:  $2.2 \times 10^{-5} \text{ }^\circ\text{F}^{-1}$  ( $4 \times 10^{-5} \text{ }^\circ\text{C}^{-1}$ )
- See engineering manual for calculation of thermal expansion.

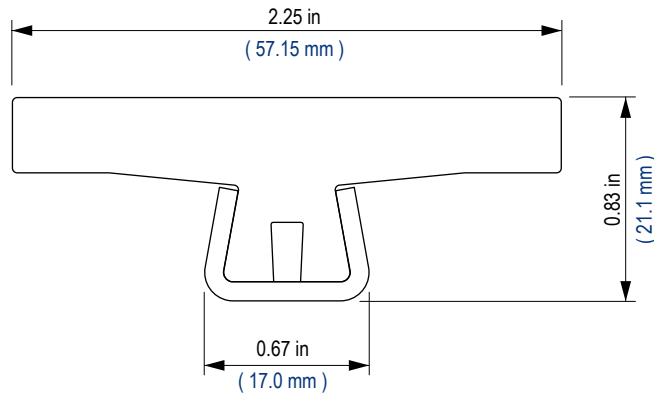
### 1.60in Tee Guide Rail – Static Dissipative



Part Number	Reference Description	Length	
		ft	m
10324196	RX-SST-1.60-SD-8	8	2.44
10324187	RX-SST-1.60-SD-10	10	3.05
10324188	RX-SST-1.60-SD-12	12	3.66
10324189	RX-SST-1.60-SD-20	20	6.10

- Material: Static dissipative polyethylene UHMWPE with molecular density 5,600,000 g/mol
- 14-gauge stainless steel sheath
- Linear expansion coefficient:  $2.2 \times 10^{-5} \text{ }^\circ\text{F}^{-1}$  ( $4 \times 10^{-5} \text{ }^\circ\text{C}^{-1}$ )
- See engineering manual for calculation of thermal expansion.

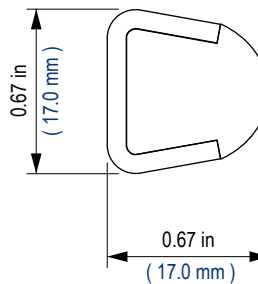
### 2.25in Tee Guide Rail – Static Dissipative



Part Number	Reference Description	Length	
		ft	m
10324209	RX-SST-2.25-SD-8	8	2.44
10324205	RX-SST-2.25-SD-10	10	3.05
10324207	RX-SST-2.25-SD-12	12	3.66
10324208	RX-SST-2.25-SD-20	20	6.10

- Material: Static dissipative polyethylene UHMWPE with molecular density 5,600,000 g/mol
- 14-gauge stainless steel sheath
- Linear expansion coefficient:  $2.2 \times 10^{-5} \text{ }^\circ\text{F}^{-1}$  ( $4 \times 10^{-5} \text{ }^\circ\text{C}^{-1}$ )
- See engineering manual for calculation of thermal expansion.

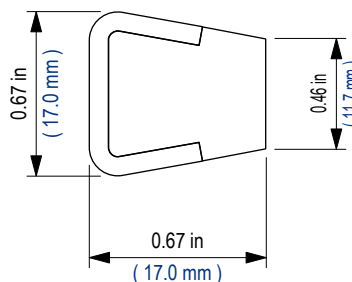
### Round Guide Rail – Solid



Part Number	Reference Description	Plastic Profile Material	Length	
			ft	m
10324425	RX-SSRS-10	UHMWPE	10	3.05
10324424	RX-SSRS-12	UHMWPE	12	3.66
10324423	RX-SSRS-20	UHMWPE	20	6.10
10350043	RX-SSRS-ULF-10	ULF™	10	3.05

- Material: Polyethylene UHMWPE with molecular density 5,600,000 g/mol
- 14-gauge stainless steel sheath
- Linear expansion coefficient:  $2.2 \times 10^{-5} \text{ }^\circ\text{F}^{-1}$  ( $4 \times 10^{-5} \text{ }^\circ\text{C}^{-1}$ )
- See engineering manual for calculation of thermal expansion.

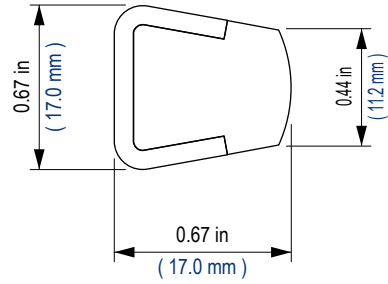
### Flat Guide Rail – Solid



Part Number	Reference Description	Plastic Profile Material	Length	
			ft	m
10106086	RX-SSFS-10	UHMWPE	10	3.05
10350045	RX-SSFS-ULF-10	ULF™	10	3.05

- Material: Polyethylene UHMWPE with molecular density 5,600,000 g/mol
- 14-gauge stainless steel sheath
- Linear expansion coefficient:  $2.2 \times 10^{-5} \text{ }^\circ\text{F}^{-1}$  ( $4 \times 10^{-5} \text{ }^\circ\text{C}^{-1}$ )
- See engineering manual for calculation of thermal expansion.

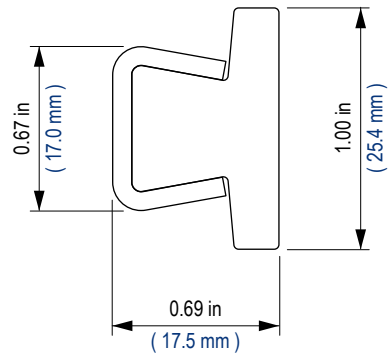
### Convex Guide Rail – Solid



Part Number	Reference Description	Plastic Profile Material	Length	
			ft	m
10324379	RX-SSMS-10	UHMWPE	10	3.05
10350049	RX-SSMS-ULF-10	ULF™	10	3.05

- Material: Polyethylene UHMWPE with molecular density 5,600,000 g/mol
- 14-gauge stainless steel sheath
- Linear expansion coefficient:  $2.2 \times 10^{-5} \text{ } ^\circ\text{F}^{-1}$  ( $4 \times 10^{-5} \text{ } ^\circ\text{C}^{-1}$ )
- See engineering manual for calculation of thermal expansion.

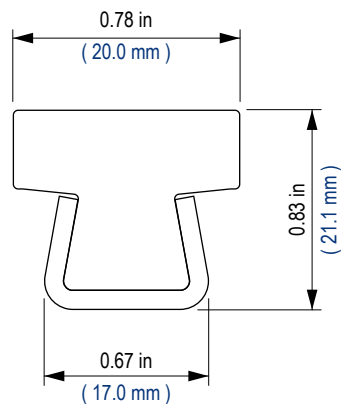
### Wide Flat Guide Rail – Solid



Part Number	Reference Description	Plastic Profile Material	Length	
			ft	m
10324388	RX-SSWFS-10	UHMWPE	10	3.05
10350066	RX-SSWFS-ULF-10	ULF™	10	3.05

- Material: Polyethylene UHMWPE with molecular density 5,600,000 g/mol
- 14-gauge stainless steel sheath
- Linear expansion coefficient:  $2.2 \times 10^{-5} \text{ } ^\circ\text{F}^{-1}$  ( $4 \times 10^{-5} \text{ } ^\circ\text{C}^{-1}$ )
- See engineering manual for calculation of thermal expansion.

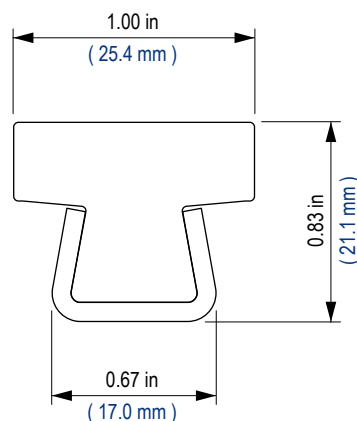
### 20mm Tee Guide Rail – Solid



Part Number	Reference Description	Plastic Profile Material	Length	
			ft	m
10324404	769-609163N	UHMWPE	10	3.05
10350067	-	ULF™	10	3.05

- Material: Polyethylene UHMWPE with molecular density 5,600,000 g/mol
- 14-gauge stainless steel sheath
- Linear expansion coefficient:  $2.2 \times 10^{-5} \text{ } ^\circ\text{F}^{-1}$  ( $4 \times 10^{-5} \text{ } ^\circ\text{C}^{-1}$ )
- See engineering manual for calculation of thermal expansion.

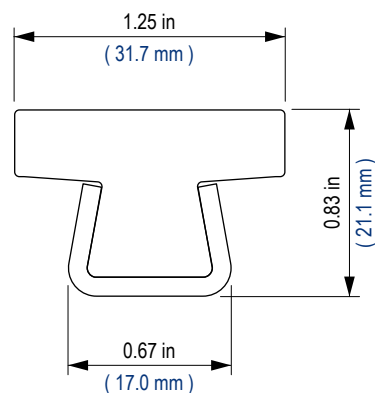
### 1in Tee Guide Rail – Solid



Part Number	Reference Description	Plastic Profile Material	Length	
			ft	m
10324383	RX-SSTS-1.00-10	UHMWPE	10	3.05
10350065	RX-SSTS-1.00-ULF-10	ULF™	10	3.05

- Material: Polyethylene UHMWPE with molecular density 5,600,000 g/mol
- 14-gauge stainless steel sheath
- Linear expansion coefficient:  $2.2 \times 10^{-5} \text{ } ^\circ\text{F}^{-1}$  ( $4 \times 10^{-5} \text{ } ^\circ\text{C}^{-1}$ )
- See engineering manual for calculation of thermal expansion.

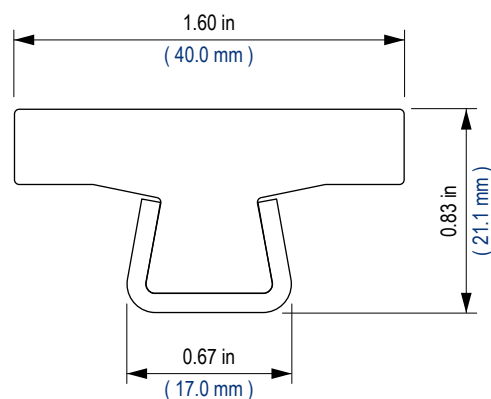
## 1.25in Tee Guide Rail – Solid



Part Number	Reference Description	Plastic Profile Material	Length	
			ft	m
10324215	RX-SSTS-1.25-8	UHMWPE	8	2.44
10324210	RX-SSTS-1.25-10	UHMWPE	10	3.05
10324211	RX-SSTS-1.25-12	UHMWPE	12	3.66
10324212	RX-SSTS-1.25-20	UHMWPE	20	6.10
10350047	RX-SSTS-1.25-ULF-10	ULF™	10	3.05

- Material: Polyethylene UHMWPE with molecular density 5,600,000 g/mol
- 14-gauge stainless steel sheath
- Linear expansion coefficient:  $2.2 \times 10^{-5} \text{ }^\circ\text{F}^{-1}$  ( $4 \times 10^{-5} \text{ }^\circ\text{C}^{-1}$ )
- See engineering manual for calculation of thermal expansion.

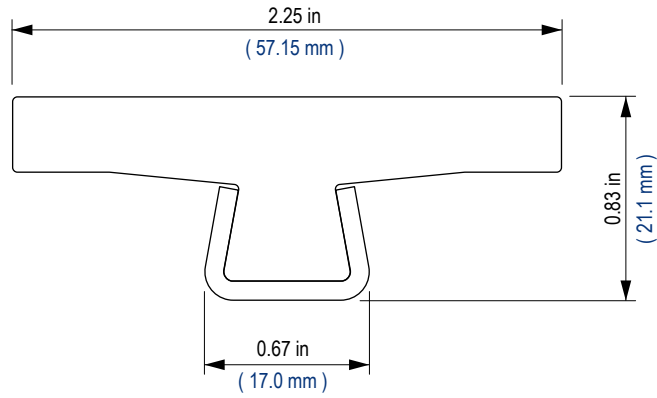
## 1.60in Tee Guide Rail – Solid



Part Number	Reference Description	Plastic Profile Material	Length	
			ft	m
10324380	RX-SSTS-1.60-10	UHMWPE	10	3.05
10350652	RX-SSTS-1.60-ULF-10	ULF™	10	3.05

- Material: Polyethylene UHMWPE with molecular density 5,600,000 g/mol
- 14-gauge stainless steel sheath
- Linear expansion coefficient:  $2.2 \times 10^{-5} \text{ }^\circ\text{F}^{-1}$  ( $4 \times 10^{-5} \text{ }^\circ\text{C}^{-1}$ )
- See engineering manual for calculation of thermal expansion.

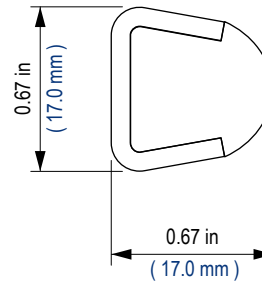
### 2.25in Tee Guide Rail – Solid



Part Number	Reference Description	Plastic Profile Material	Length	
			ft	m
10324381	RX-SSTS-2.25-10	UHMWPE	10	3.05
10350063	RX-SSTS-2.25-ULF-10	ULF™	10	3.05

- Material: Polyethylene UHMWPE with molecular density 5,600,000 g/mol
- 14-gauge stainless steel sheath
- Linear expansion coefficient:  $2.2 \times 10^{-5} \text{ } ^\circ\text{F}^{-1}$  ( $4 \times 10^{-5} \text{ } ^\circ\text{C}^{-1}$ )
- See engineering manual for calculation of thermal expansion.

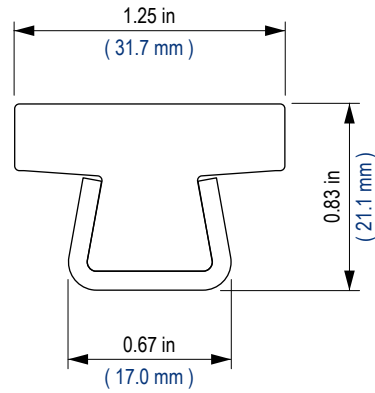
### Round Guide Rail – Solid – Static Dissipative



Part Number	Reference Description	Length	
		ft	m
10324415	RX-SSRS-SD-10	10	3.05
10324413	RX-SSRS-SD-12	12	3.66
10324120	RX-SSRS-SD-20	20	6.10

- Material: Static dissipative polyethylene UHMWPE with molecular density 5,600,000 g/mol
- 14-gauge stainless steel sheath
- Linear expansion coefficient:  $2.2 \times 10^{-5} \text{ } ^\circ\text{F}^{-1}$  ( $4 \times 10^{-5} \text{ } ^\circ\text{C}^{-1}$ )
- See engineering manual for calculation of thermal expansion.

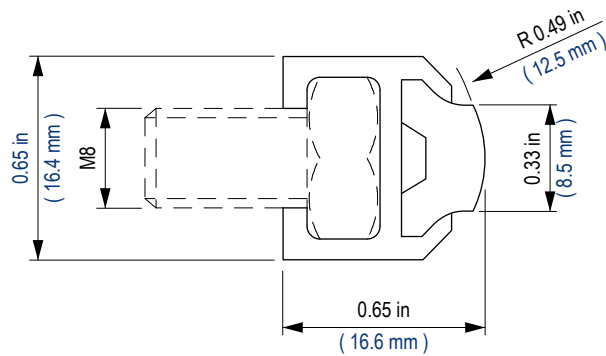
### 1.25in Tee Guide Rail – Solid – Static Dissipative



Part Number	Reference Description	Length	
		ft	m
10324346	RX-SSTS-1.25-SD-8	8	2.44
10324217	RX-SSTS-1.25-SD-10	10	3.05
10324341	RX-SSTS-1.25-SD-12	12	3.66
10324343	RX-SSTS-1.25-SD-20	20	6.10

- Material: Static dissipative polyethylene UHMWPE with molecular density 5,600,000 g/mol
- 14-gauge stainless steel sheath
- Linear expansion coefficient:  $2.2 \times 10^{-5} \text{ } ^\circ\text{F}^{-1}$  ( $4 \times 10^{-5} \text{ } ^\circ\text{C}^{-1}$ )
- See engineering manual for calculation of thermal expansion.

### Aluminum and UHMWPE Guide Rails – Half Round



Part Number	Reference Description	Length	
		ft	m
10324367	346-60204	9.84	3.0

- Material: Plastic profile in polyethylene UHMWPE (white) with molecular density 5,600,000 g/mol
- Metal profile in anodized aluminium
- Minimum curvature radius: 4.33 in (110 mm)
- Linear expansion coefficient:  $1.1 \times 10^{-4} \text{ } ^\circ\text{F}^{-1}$  ( $2 \times 10^{-4} \text{ } ^\circ\text{C}^{-1}$ )
- See engineering manual for calculation of thermal expansion.

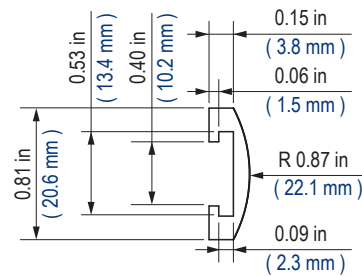


## Combination Group B

- These aluminum extrusions can be used with the UHMWPE covers shown in this group.
- Applications include wearstrips/support under TableTop® and MatTop® chains.

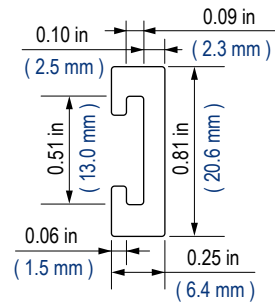
Part Number	Reference Description	Length	
		ft	m
10309156	RX-P813-10	10	3.05

- Material: Polyethylene UHMWPE



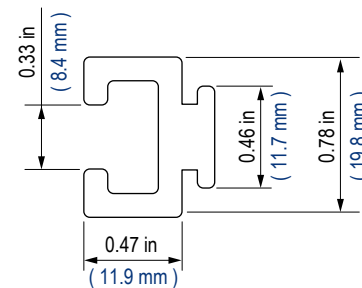
Part Number	Reference Description	Length	
		ft	m
10324436	RX-P813F-10	10	3.05

- Material: Polyethylene UHMWPE



Part Number	Reference Description	Length	
		ft	m
10309224	RX-A600-10	10	3.05
10324213	RX-A600-20	20	6.10

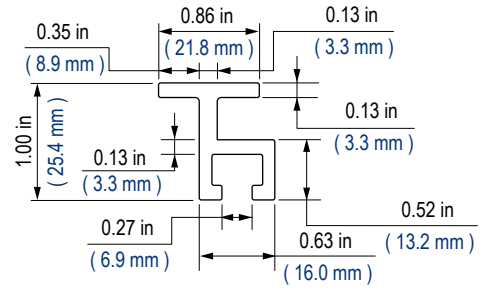
- Material: Aluminum  
- Used with standard 5/16 in hex bolts



### Combination Group C

Part Number	Reference Description	Length	
		ft	m
10324358	RX-A1878T-10	10	3.05

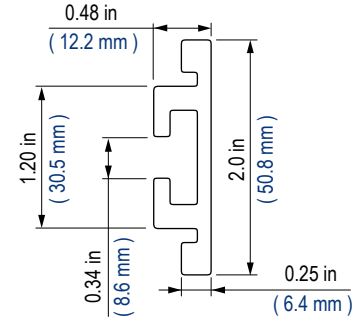
- Material: Aluminum
- Used with standard 1/4 in hex bolts



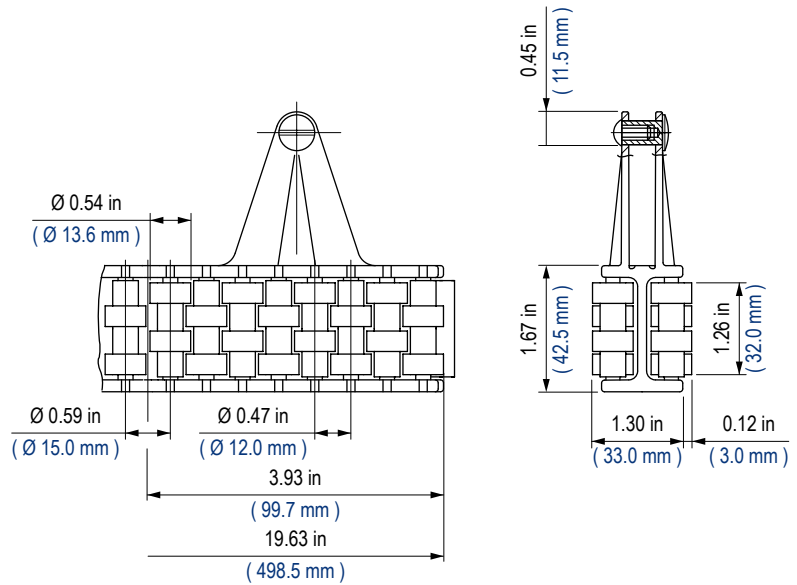
### Combination Group D

Part Number	Reference Description	Length	
		ft	m
10324198	RX-A2520-20	20	6.10

- Material: Aluminum
- Used with standard 5/16 in carriage bolts



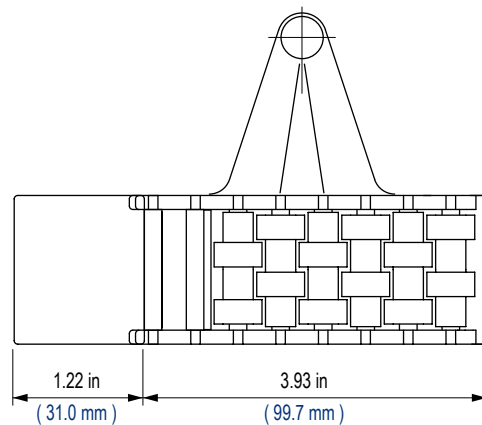
### Center Roller Guide



Part Number	Reference Description	Fits M Profile	
		Part No	Ref Description
10106493	557-695991N	10324491	537-689231

- Material: Frame in black acetal (POM), rollers in white acetal (POM)
- Minimum curvature radius: 13.19 in (335 mm)
- Standard packaging: strands of 19.63 in (0.498 m) 5 modules

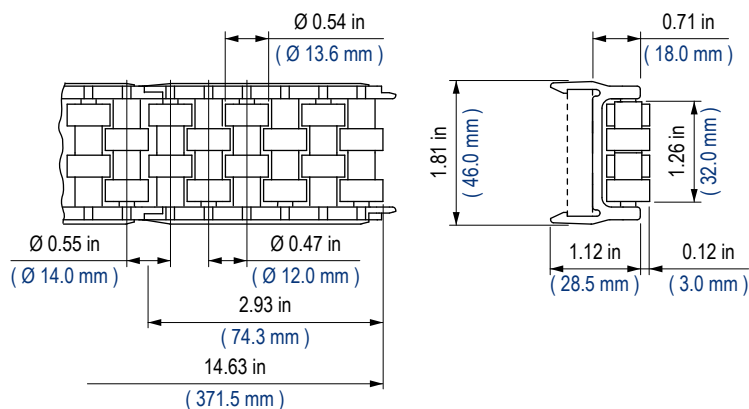
### Center Roller Guide Divider Module



– Material: frame in black acetal (POM), rollers in white acetal (POM), separation block in black polyethylene (PE)

Part Number	Reference Description	Fits M Profile	
		Part No	Ref Description
10107281	570-601162N	10324491	537-689231

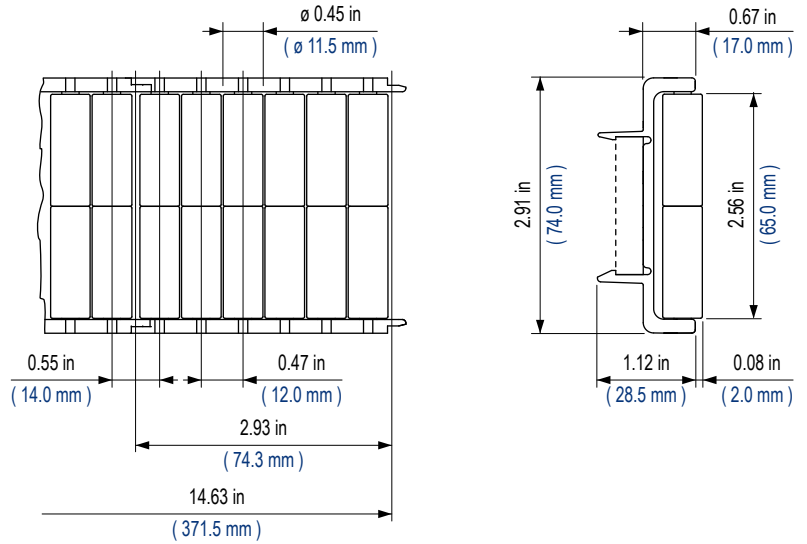
### Roller Side Guide – 580



– Material: Frame in black acetal (POM), rollers in white acetal (POM)  
 – Standard packaging: strands of 14.63 in (0.371 m) 5 modules

Part Number	Reference Description	Fits	
		Part No	Ref Description
10109640	580-603302	10324491	537-689231
10109641	580-611772	40 mm x 10 mm Plate	

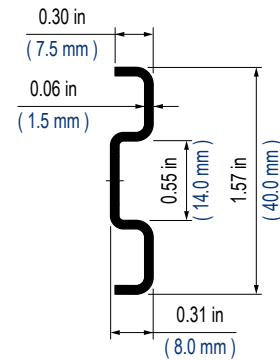
## Roller Side Guide – 581



Part Number	Reference Description	Fits	
		Part No	Ref Description
10109868	581-603312	10324491	537-689231

- Material: Frame in black acetal (POM), rollers in white acetal (POM)
- Standard packaging: strands of 14.63 in (0.371 m) 5 modules

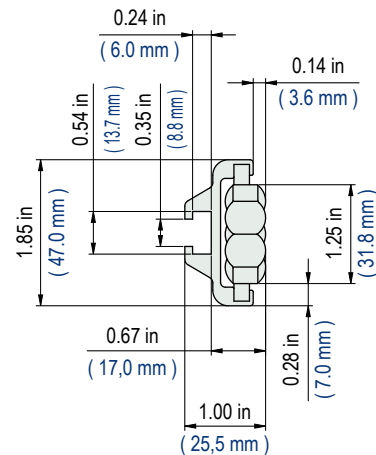
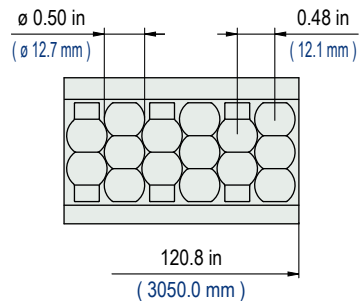
## Stainless Steel M Profile



Part Number	Reference Description	Overall Length	
		in	mm
10324491	537-689231	126.34	3209.0

- Material: Austenitic stainless steel
- Minimum curvature radius: 19.68 in (500 mm)

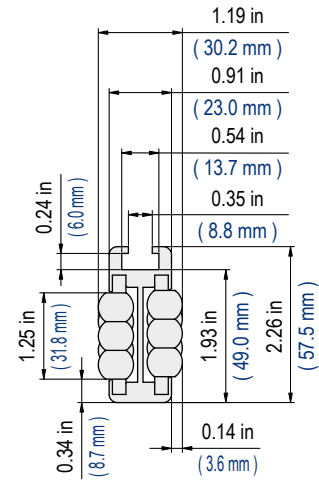
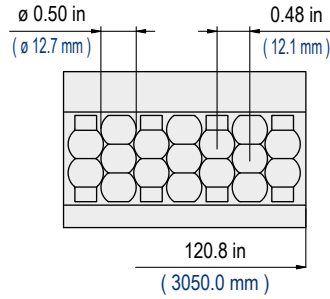
# Pearl™ Roller Side Guide – 1 Side 1 High



Roller Color	Approximate Length		Part Number	Reference Description
	in	mm		
White	25.00	635.0	10139262	756-607733-1
White	29.75	755.7	10139273	756-607733-2
White	34.50	876.3	10139275	756-607733-3
White	39.25	997.0	10139276	756-607733-4
White	44.00	1117.6	10139277	756-607733-5
White	48.75	1238.3	10139278	756-607733-6
White	53.50	1358.9	10139279	756-607733-7
White	58.25	1479.6	10139280	756-607733-8
White	63.00	1600.2	10139281	756-607733-9
White	67.75	1720.9	10139263	756-607733-10
White	72.50	1841.5	10139264	756-607733-11
White	77.25	1962.2	10139265	756-607733-12
White	82.00	2082.8	10139266	756-607733-13
White	86.75	2203.5	10139267	756-607733-14
White	91.50	2324.1	10139268	756-607733-15
White	96.25	2444.8	10139269	756-607733-16
White	101.00	2565.4	10139270	756-607733-17
White	105.75	2686.1	10139271	756-607733-18
White	110.50	2806.7	10139272	756-607733-19
White	115.25	2927.4	10139274	756-607733-20
White	120.00	3048.0	10139261	756-607733
Brown	25.00	635.0	10139326	756-657041-1
Brown	29.75	755.7	10139337	756-657041-2
Brown	34.50	876.3	10139339	756-657041-3
Brown	39.25	997.0	10139340	756-657041-4
Brown	44.00	1117.6	10139341	756-657041-5
Brown	48.75	1238.3	10139342	756-657041-6
Brown	53.50	1358.9	10139343	756-657041-7
Brown	58.25	1479.6	10139344	756-657041-8
Brown	63.00	1600.2	10139345	756-657041-9
Brown	67.75	1720.9	10139327	756-657041-10
Brown	72.50	1841.5	10139328	756-657041-11
Brown	77.25	1962.2	10139329	756-657041-12
Brown	82.00	2082.8	10139330	756-657041-13
Brown	86.75	2203.5	10139331	756-657041-14
Brown	91.50	2324.1	10139332	756-657041-15
Brown	96.25	2444.8	10139333	756-657041-16
Brown	101.00	2565.4	10139334	756-657041-17
Brown	105.75	2686.1	10139335	756-657041-18
Brown	110.50	2806.7	10139336	756-657041-19
Brown	115.25	2927.4	10139338	756-657041-20
Brown	120.00	3048.0	10139325	756-657041

- Self-supporting structure
- Material: metal profile in anodized aluminum, rollers in polyethylene (PE), frame and pins in acetal (POM)
- Quick and easy installation with standard 5/16 or M8 bolts
- Can be used straight-running and sideflexing
- Low-friction rollers

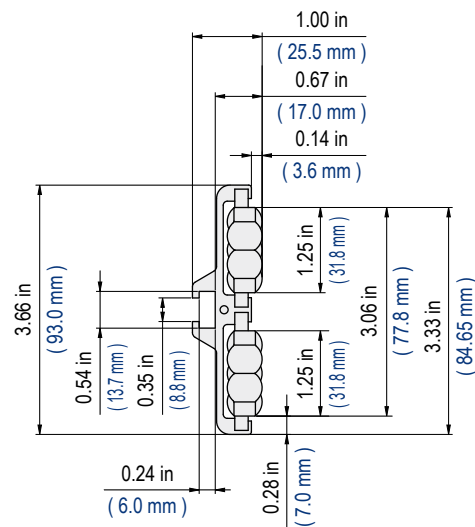
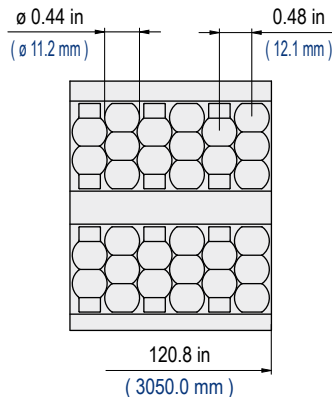
# Pearl™ Roller Center Guide – 2 Side 1 High



Roller Color	Approximate Length		Part Number	Reference Description
	in	mm		
White	25.00	635.0	10139161	754-607653-1
White	29.75	755.7	10139172	754-607653-2
White	34.50	876.3	10139174	754-607653-3
White	39.25	997.0	10139175	754-607653-4
White	44.00	1117.6	10139176	754-607653-5
White	48.75	1238.3	10139177	754-607653-6
White	53.50	1358.9	10139178	754-607653-7
White	58.25	1479.6	10139179	754-607653-8
White	63.00	1600.2	10139180	754-607653-9
White	67.75	1720.9	10139162	754-607653-10
White	72.50	1841.5	10139163	754-607653-11
White	77.25	1962.2	10139164	754-607653-12
White	82.00	2082.8	10139165	754-607653-13
White	86.75	2203.5	10139166	754-607653-14
White	91.50	2324.1	10139167	754-607653-15
White	96.25	2444.8	10139168	754-607653-16
White	101.00	2565.4	10139169	754-607653-17
White	105.75	2686.1	10139170	754-607653-18
White	110.50	2806.7	10139171	754-607653-19
White	115.25	2927.4	10139173	754-607653-20
White	120.00	3048.0	10139160	754-607653
Brown	25.00	635.0	10139224	754-657021-1
Brown	29.75	755.7	10139235	754-657021-2
Brown	34.50	876.3	10139237	754-657021-3
Brown	39.25	997.0	10139238	754-657021-4
Brown	44.00	1117.6	10139239	754-657021-5
Brown	48.75	1238.3	10139240	754-657021-6
Brown	53.50	1358.9	10139241	754-657021-7
Brown	58.25	1479.6	10139242	754-657021-8
Brown	63.00	1600.2	10139243	754-657021-9
Brown	67.75	1720.9	10139225	754-657021-10
Brown	72.50	1841.5	10139226	754-657021-11
Brown	77.25	1962.2	10139227	754-657021-12
Brown	82.00	2082.8	10139228	754-657021-13
Brown	86.75	2203.5	10139229	754-657021-14
Brown	91.50	2324.1	10139230	754-657021-15
Brown	96.25	2444.8	10139231	754-657021-16
Brown	101.00	2565.4	10139232	754-657021-17
Brown	105.75	2686.1	10139233	754-657021-18
Brown	110.50	2806.7	10139234	754-657021-19
Brown	115.25	2927.4	10139236	754-657021-20
Brown	120.00	3048.0	10139223	754-657021

- Self-supporting structure
- Material: metal profile in anodized aluminum, rollers in polyethylene (PE), frame and pins in acetal (POM)
- Quick and easy installation with standard 5/16 or M8 bolts
- Can be used straight-running and sideflexing
- Low-friction rollers

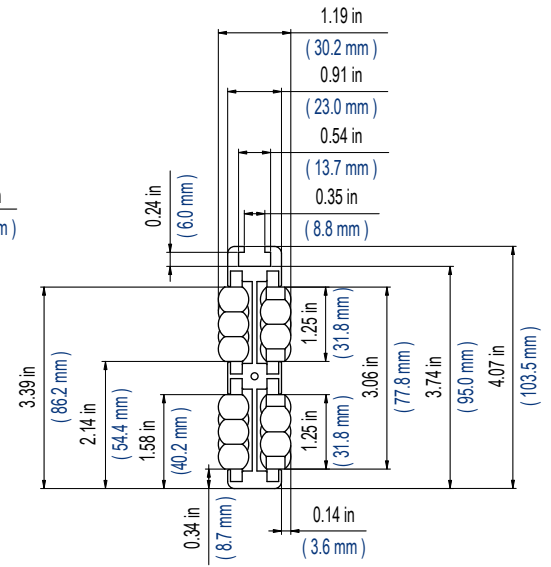
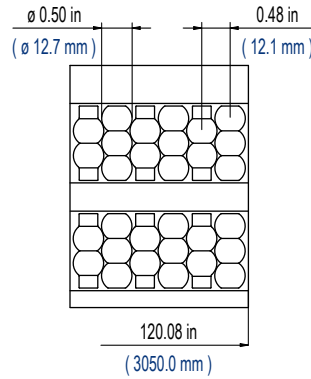
# Pearl™ Roller Side Guide – 1 Side 2 High



Roller Color	Approximate Length		Part Number	Reference Description
	in	mm		
White	25.00	635.0	10139284	756-607753-1
White	29.75	755.7	10139295	756-607753-2
White	34.50	876.3	10139297	756-607753-3
White	39.25	997.0	10139298	756-607753-4
White	44.00	1117.6	10139299	756-607753-5
White	48.75	1238.3	10139300	756-607753-6
White	53.50	1358.9	10139301	756-607753-7
White	58.25	1479.6	10139302	756-607753-8
White	63.00	1600.2	10139303	756-607753-9
White	67.75	1720.9	10139285	756-607753-10
White	72.50	1841.5	10139286	756-607753-11
White	77.25	1962.2	10139287	756-607753-12
White	82.00	2082.8	10139288	756-607753-13
White	86.75	2203.5	10139289	756-607753-14
White	91.50	2324.1	10139290	756-607753-15
White	96.25	2444.8	10139291	756-607753-16
White	101.00	2565.4	10139292	756-607753-17
White	105.75	2686.1	10139293	756-607753-18
White	110.50	2806.7	10139294	756-607753-19
White	115.25	2927.4	10139296	756-607753-20
White	120.00	3048.0	10139283	756-607753
Brown	25.00	635.0	10139305	756-657031-1
Brown	29.75	755.7	10139316	756-657031-2
Brown	34.50	876.3	10139318	756-657031-3
Brown	39.25	997.0	10139319	756-657031-4
Brown	44.00	1117.6	10139320	756-657031-5
Brown	48.75	1238.3	10139321	756-657031-6
Brown	53.50	1358.9	10139322	756-657031-7
Brown	58.25	1479.6	10139323	756-657031-8
Brown	63.00	1600.2	10139324	756-657031-9
Brown	67.75	1720.9	10139306	756-657031-10
Brown	72.50	1841.5	10139307	756-657031-11
Brown	77.25	1962.2	10139308	756-657031-12
Brown	82.00	2082.8	10139309	756-657031-13
Brown	86.75	2203.5	10139310	756-657031-14
Brown	91.50	2324.1	10139311	756-657031-15
Brown	96.25	2444.8	10139312	756-657031-16
Brown	101.00	2565.4	10139313	756-657031-17
Brown	105.75	2686.1	10139314	756-657031-18
Brown	110.50	2806.7	10139315	756-657031-19
Brown	115.25	2927.4	10139317	756-657031-20
Brown	120.00	3048.0	10139304	756-657031

- Self-supporting structure
- Material: metal profile in anodized aluminum, rollers in polyethylene (PE), frame and pins in acetal (POM)
- Quick and easy installation with standard 5/16 or M8 bolts
- Can be used straight-running and sideflexing
- Low-friction rollers

# Pearl™ Roller Center Guide – 2 Side 2 High

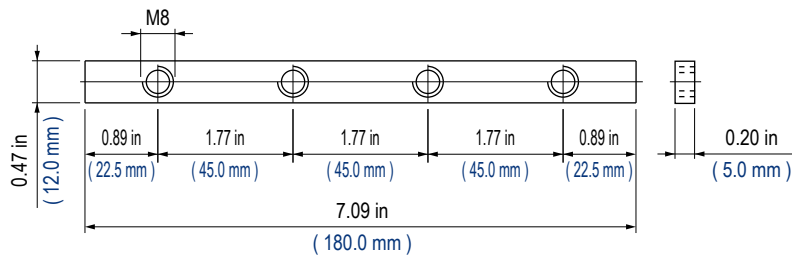


Roller Color	Approximate Length		Part Number	Reference Description
	in	mm		
White	25.00	635.0	10139182	754-607673-1
White	29.75	755.7	10139193	754-607673-2
White	34.50	876.3	10139195	754-607673-3
White	39.25	997.0	10139196	754-607673-4
White	44.00	1117.6	10139197	754-607673-5
White	48.75	1238.3	10139198	754-607673-6
White	53.50	1358.9	10139199	754-607673-7
White	58.25	1479.6	10139200	754-607673-8
White	63.00	1600.2	10139201	754-607673-9
White	67.75	1720.9	10139183	754-607673-10
White	72.50	1841.5	10139184	754-607673-11
White	77.25	1962.2	10139185	754-607673-12
White	82.00	2082.8	10139186	754-607673-13
White	86.75	2203.5	10139187	754-607673-14
White	91.50	2324.1	10139188	754-607673-15
White	96.25	2444.8	10139189	754-607673-16
White	101.00	2565.4	10139190	754-607673-17
White	105.75	2686.1	10139191	754-607673-18
White	110.50	2806.7	10139192	754-607673-19
White	115.25	2927.4	10139194	754-607673-20
White	120.00	3048.0	10139181	754-607673
Brown	25.00	635.0	10139203	754-657011-1
Brown	29.75	755.7	10139214	754-657011-2
Brown	34.50	876.3	10139216	754-657011-3
Brown	39.25	997.0	10139217	754-657011-4
Brown	44.00	1117.6	10139218	754-657011-5
Brown	48.75	1238.3	10139219	754-657011-6
Brown	53.50	1358.9	10139220	754-657011-7
Brown	58.25	1479.6	10139221	754-657011-8
Brown	63.00	1600.2	10139222	754-657011-9
Brown	67.75	1720.9	10139204	754-657011-10
Brown	72.50	1841.5	10139205	754-657011-11
Brown	77.25	1962.2	10139206	754-657011-12
Brown	82.00	2082.8	10139207	754-657011-13
Brown	86.75	2203.5	10139208	754-657011-14
Brown	91.50	2324.1	10139209	754-657011-15
Brown	96.25	2444.8	10139210	754-657011-16
Brown	101.00	2565.4	10139211	754-657011-17
Brown	105.75	2686.1	10139212	754-657011-18
Brown	110.50	2806.7	10139213	754-657011-19
Brown	115.25	2927.4	10139215	754-657011-20
Brown	120.00	3048.0	10139202	754-657011

- Self-supporting structure
- Material: metal profile in anodized aluminum, rollers in polyethylene (PE), frame and pins in acetal (POM)
- Quick and easy installation with standard 5/16 or M8 bolts
- Can be used straight-running and sideflexing
- Low-friction rollers



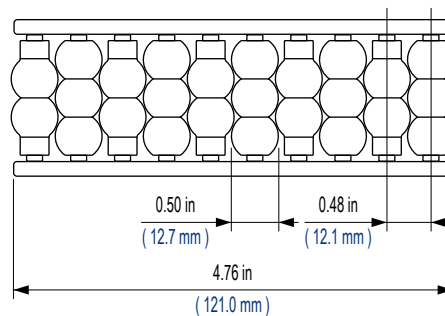
### Connecting Bar



– Material: Zinc plated steel

Part Number	Reference Description
10101276	369-69995

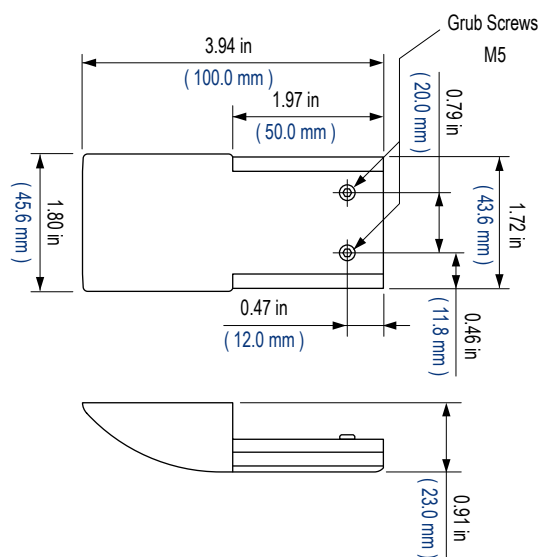
### Pearl™ Roller Side Guide Module



– Material: frame in acetal (POM), rollers in polyethylene (PE)

Roller Color	Part Number	Reference Description
White	10030003	0-607863
Brown	10030112	0-640463

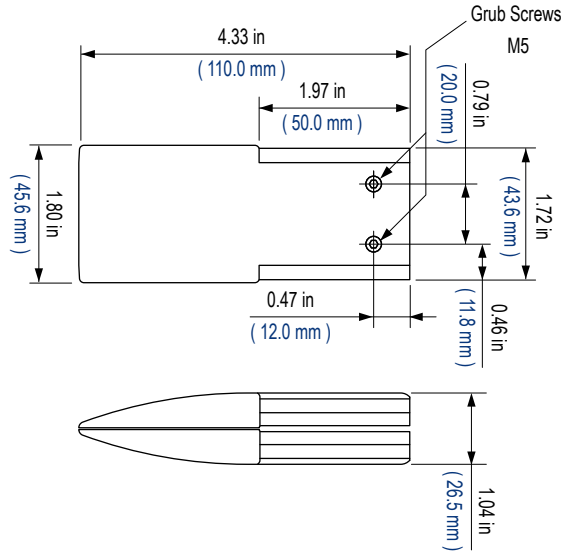
### Roller Guide Separation Block – 852



– Material: Acetal (POM)

Part Number	Reference Description
10199584	852-646633

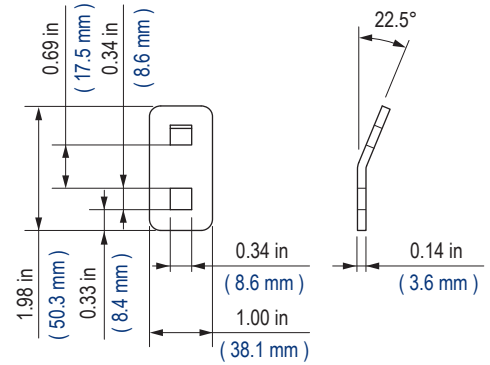
### Roller Guide Separation Block – 854



Part Number	Reference Description
10199587	854-646643

– Material: Acetal (POM)

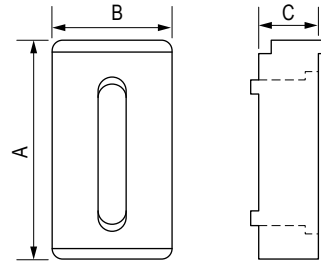
### FastRail Corner Clip



Part Number	Reference Description	For Hardware
10309407	RX-040-01	5/16

– Material: Stainless steel  
 – Used with standard 5/16 in bolts

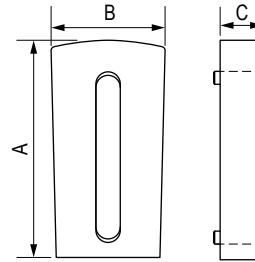
### Spacer – 291



Part Number	Reference Description	A		B		C	
		in	mm	in	mm	in	mm
10309707	RX-291	2.95	74.9	1.97	50.0	0.75	19.1

- Material: Black polyamide (PA)
- Used alone or in multiples to increase distance between RX-202 or RX-210 brackets and conveyor frame when no lip is required

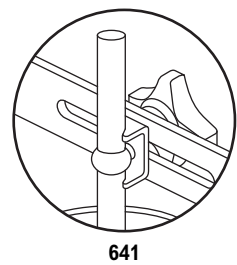
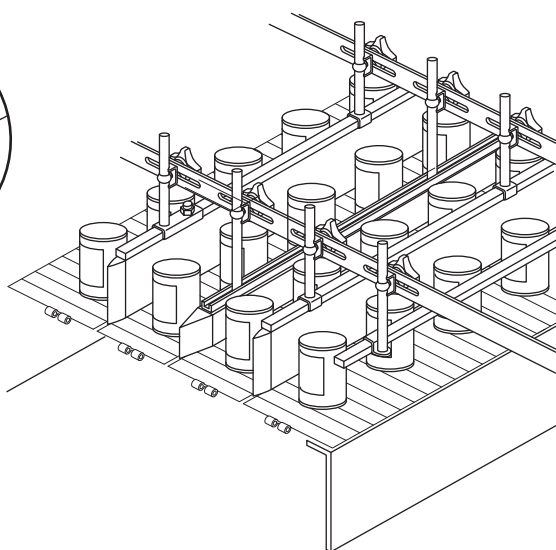
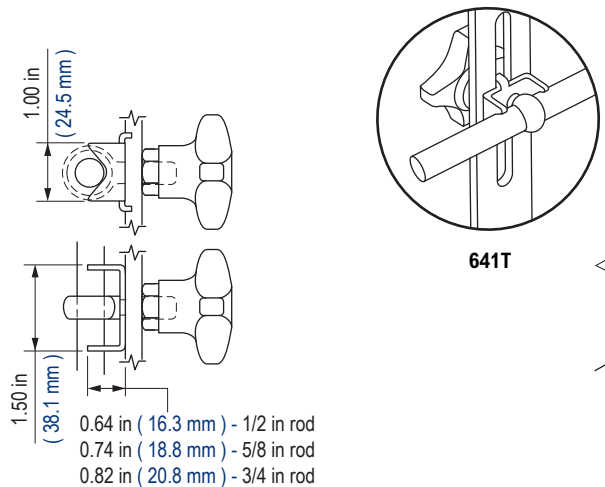
### Spacer – 292



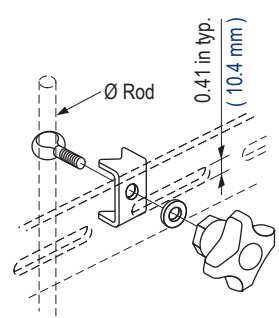
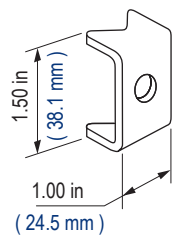
Part Number	Reference Description	A		B		C	
		in	mm	in	mm	in	mm
10309294	RX-292	3.82	97.0	1.94	49.3	0.59	15.0

- Material: Black polyamide (PA)
- Used alone or in multiples to increase distance between RX-203 brackets and conveyor frame

**RODS**



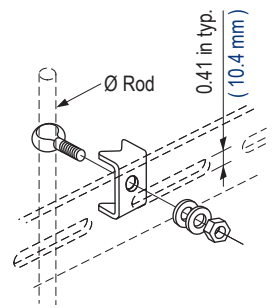
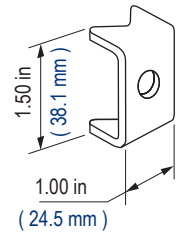
**Rod Mounts With Knob – 641-K**



Part Number	Reference Description	Rod Diameter
		in
10309782	RX-641-K-12	1/2
10308974	RX-641-K-58	5/8

- Material: Stainless steel mount and polyamide (PA) knob
- Usage: Lane dividing applications
- Rod can be set to any angle

**Rod Mounts With Nut – 641-N**

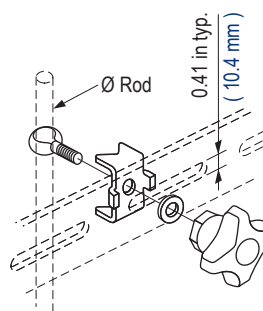
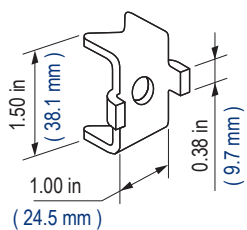


Part Number	Reference Description	Rod Diameter
		in
10309534	RX-641-N-12	1/2
10309535	RX-641-N-58	5/8

- Material: Stainless steel mount and hardware
- Usage: Lane dividing applications
- Rod can be set to any angle

## RODS (Continued)

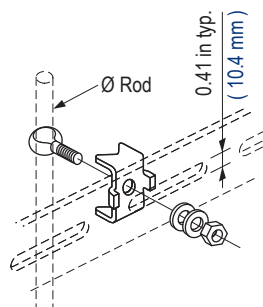
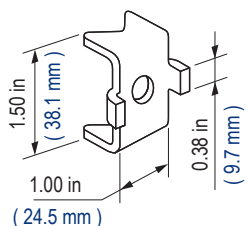
### Rod Mounts With Knob – 641T-K



Part Number	Reference Description	Rod Diameter
		in
10309192	RX-641T-K-12	1/2
10309797	RX-641T-K-58	5/8

- Material: Stainless steel mount and polyamide (PA) knob
- Usage: Lane dividing applications
- Positioning tabs lock rod at 90°

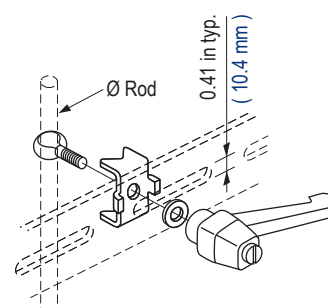
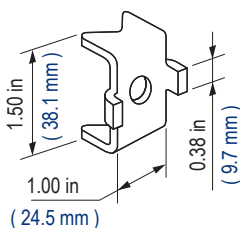
### Rod Mounts With Nut – 641T-N



Part Number	Reference Description	Rod Diameter
		in
10309644	RX-641T-N-12	1/2
10309590	RX-641T-N-58	5/8

- Material: Stainless steel mount and hardware
- Usage: Lane dividing applications
- Positioning tabs lock rod at 90°

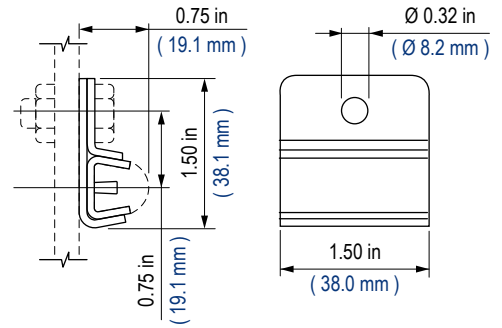
### Rod Mounts With Ratchet Handle – 641T-R



Part Number	Reference Description	Rod Diameter
		in
10309150	RX-641T-R-12	1/2
10309422	RX-641T-R-58	5/8

- Material: Stainless steel mount and polyamide (PA) ratchet handle
- Usage: Lane dividing applications
- Positioning tabs lock rod at 90°

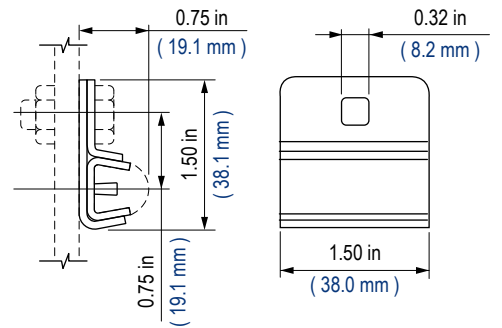
### Single Rail Clamp – Round Hole



Part Number	Reference Description	Fastener
10309239	RX-012-01	5/16 or M8

- Material: 304 stainless steel
- Used with 5/16 inch or M8 bolts

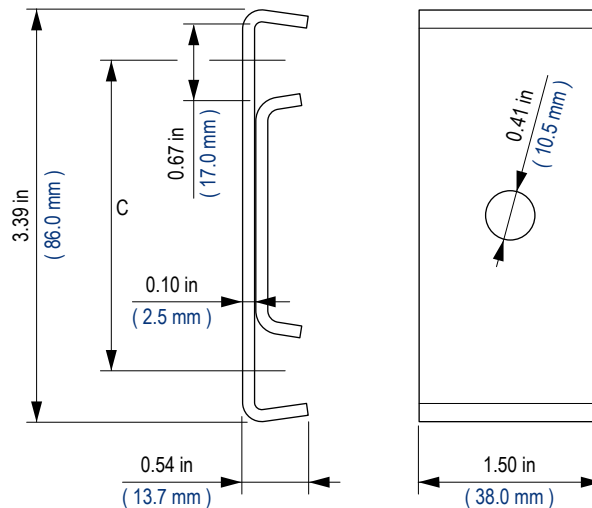
### Single Rail Clamp – Square Hole



Part Number	Reference Description	Fastener
10309036	RX-012-SH	5/16 or M8

- Material: 304 stainless steel
- Used with 5/16 inch or M8 bolts

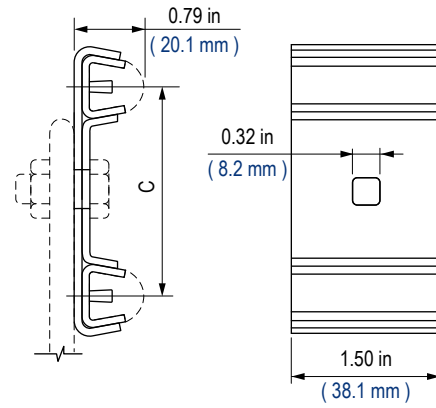
### Double Rail Clamp – Round Hole



Part Number	Reference Description	C-Rail Centers	
		in	mm
10309639	RX-011-01	2.5	63.5
10308967	RX-011-04	3.25	82.6
10309171	RX-011-03	3.75	95.3

- Material: 304 stainless steel
- Used with 5/16 inch or M8 bolts

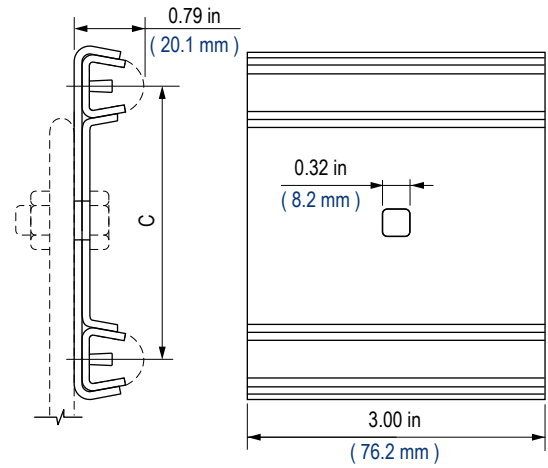
### Double Rail Clamp – Square Hole



Part Number	Reference Description	C-Rail Centers	
		in	mm
10309843	RX-011-SH	2.50	82.6

- Material: 304 stainless steel
- Used with 5/16 inch or M8 bolts

### Double Rail Clamp – Square Hole 3in



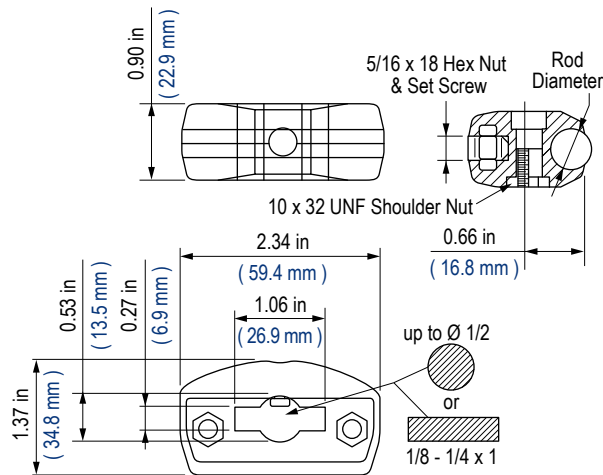
Part Number	Reference Description	C-Rail Centers	
		in	mm
10309169	RX-011-WD	2.5	63.5

- Material: 304 stainless steel
- Used with 5/16 inch or M8 bolts





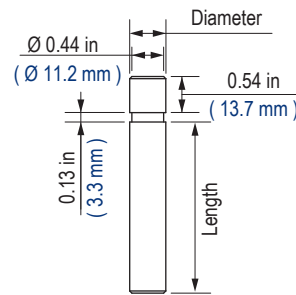
## Rod Clamp for Rod or Flat Bar



Part Number	Reference Description	Rod Diameter
		in
10309726	RX-021-02	1/2

- Material: Clamp in reinforced polyamide (PA)
- Bolt in stainless steel, nut in nickel plated brass
- Mounts flat bar up to 1/4 x 1 in or rods up to 1/2 in diameter

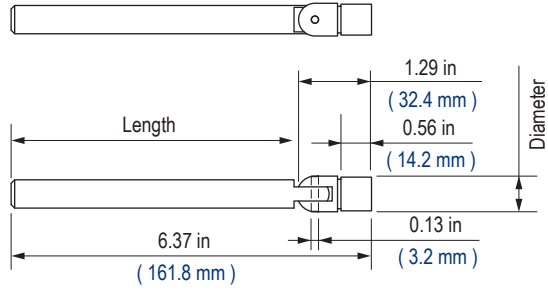
## Adjusting Rods – Grooved



Part Number	Reference Description	Diameter	Length	
			in	mm
10309049	RX-020-R3	1/2	3	76.2
10309101	RX-020-R5	1/2	5	127.0
10309331	RX-020-R7	1/2	7	177.8
10309448	RX-020-R9	1/2	9	228.6
10309849	RX-020-R15	1/2	15	381.0
10309533	RX-020-R4	5/8	4	101.6
10309746	RX-020-R6	5/8	6	152.4
10309828	RX-020-R8	5/8	8	203.2
10309109	RX-020-R10	5/8	10	254.0
10309529	RX-020-R12	5/8	12	304.8

- Material: Austenitic stainless steel

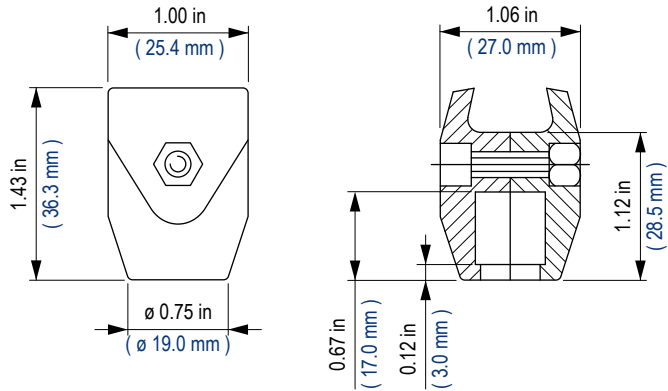
### Jointed Adjusting Rod – Grooved



Part Number	Reference Description	Diameter		Length	
		in	mm	in	mm
10309336	RX-020J-R3	1/2	12.7	3	76.2
10309538	RX-020J-R4	5/8	15.9	4	101.6
10309591	RX-020J-R5	1/2	12.7	5	127.0
10309764	RX-020J-R6	5/8	15.9	6	152.4
10309751	RX-020J-R7	1/2	12.7	7	177.8
10309411	RX-020J-R8	5/8	15.9	8	203.2
10309032	RX-020J-R9	1/2	12.7	9	228.6
10309110	RX-020J-R10	5/8	15.9	10	254.0

– Material: Austenitic stainless steel

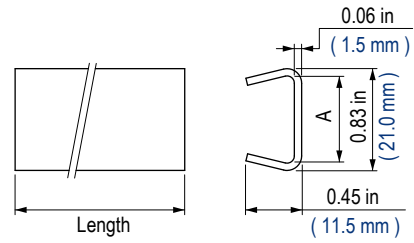
### Rod End For Guide Rail



Part Number	Reference Description	Fastener	Assembled?
10309058	RX-020-01	10-32	Yes

- Material: Clamp in acetal (POM)
- Bolt in stainless steel, nut in nickel plated brass
- Use with RX-020-R

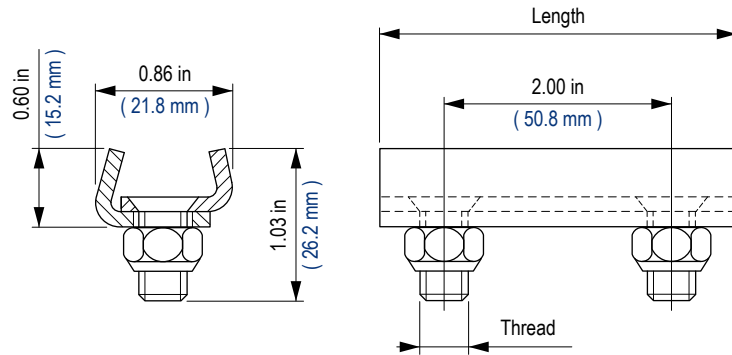
### Splice Sleeves



Part Number	Reference Description	Length	
		in	mm
10309599	RX-013-01	2	50.8
10309133	RX-013-03	3	76.2
10309427	RX-013-04	4	101.6
10309177	RX-013-06	6	152.4

– Material: Austenitic stainless steel

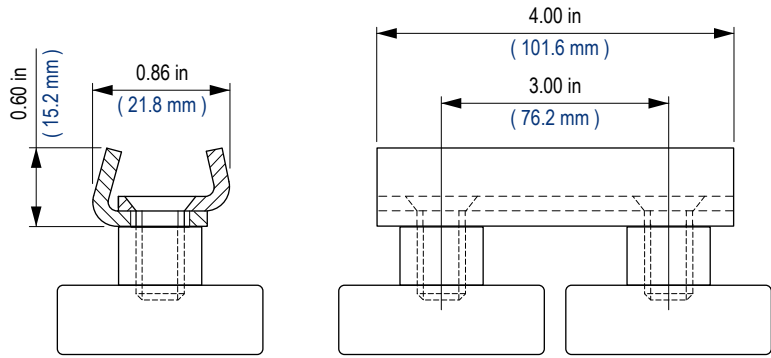
### ViseSplice™



Part Number	Reference Description	Length		Thread
		in	mm	
10309004	RX-118-03	3	76.2	5/16
10309819	RX-118M-04	4	76.2	M8
10148199	902-656041	3	76.2	M8

– Material: Austenitic stainless steel  
– Self-locking nut

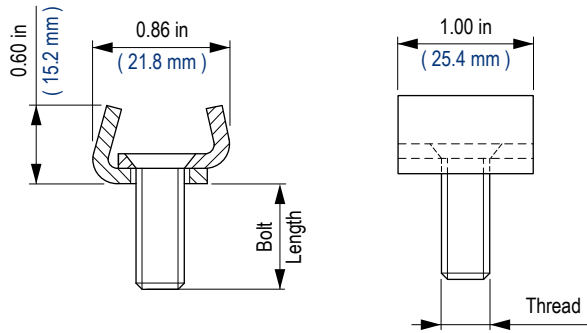
### ViseSplice™ With Knobs



Part Number	Reference Description	Length	
		in	mm
10309054	RX-118-04K	3	76.2

- Material: Austenitic stainless steel
- Self-locking nut

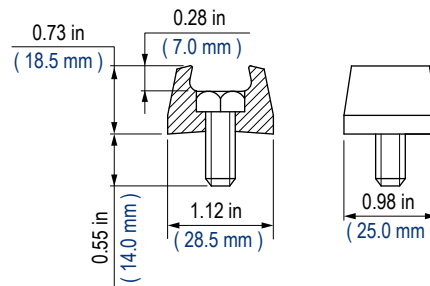
### ViseClamp™



Part Number	Reference Description	Bolt Length		Thread	With Nut
		in	mm		
10309025	RX-018-01	0.675	17.1	5/16	No
10309580	RX-018-02	0.75	19.1	5/16	No
10309755	RX-018-03	1	25.4	5/16	No
10309316	RX-018-04	1.25	31.8	5/16	No
10309189	RX-018M-02	0.787	20.0	M8	No
10309274	RX-018M-04	1.18	30.0	M8	No
10148203	903-654111	0.82	20.8	5/16	No
10148204	903-654121	1.07	27.2	5/16	No
10148209	903-656001	0.7	17.8	M8	Yes
10148205	903-654741	0.57	14.5	5/16	Yes
10148201	903-654101	0.57	14.5	5/16	No

- Material: Austenitic stainless steel
- Self-locking nut

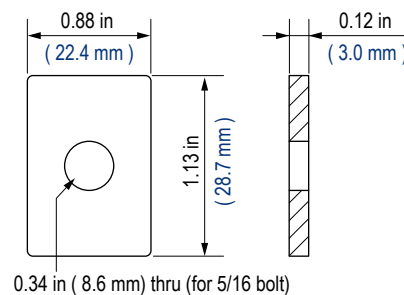
## Aluminum Compression Clip



Part Number	Reference Description	Aluminum	Anodized	Fastener
10309556	RX-016-01	X		5/16
10309419	RX-016-03		X	5/16

- Material: Aluminum or anodized aluminum For Heavy Duty applications
- Grips onto rail when bolt is tightened
- Backing plate RX-017 is required when attaching to a connecting rod

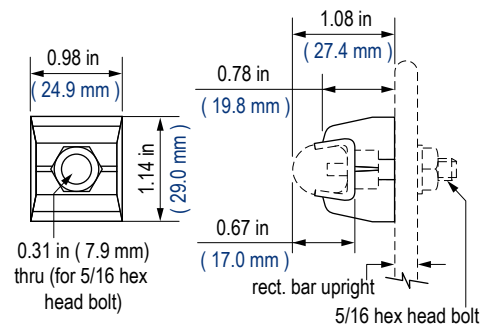
## Backing Plate



Part Number	Reference Description
10309194	RX-017

- Material: Stainless steel
- Use with RX-016 series compression clips

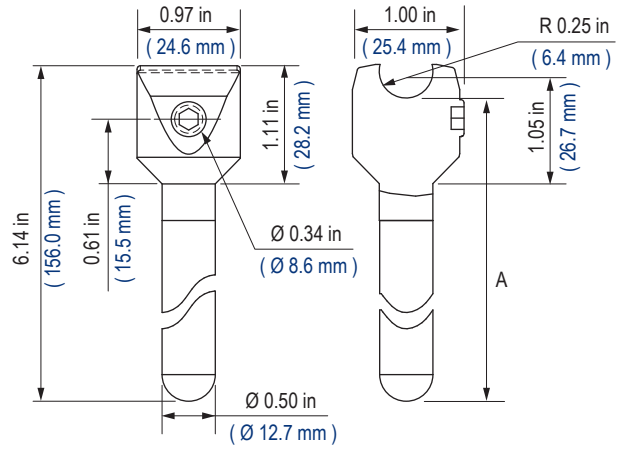
## Plastic Compression Clip



Part Number	Reference Description	Fastener
10309114	RX-016-02	5/16

- Material: Acetal (POM)
- For Light Duty applications
- When loose, rail can be snapped into clip
- As tightened, rail is clamped into clip

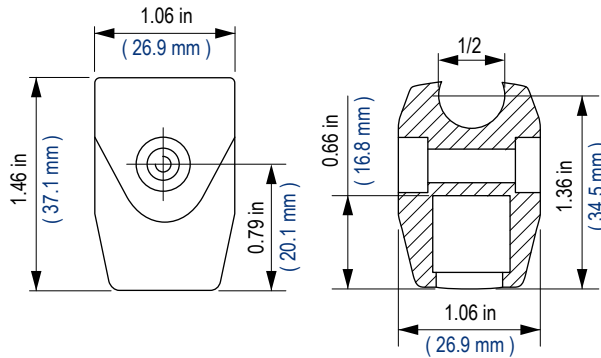
### Clamp and Metal Rod Combination for Round Rod



Part Number		Reference Description		A-Length		Rod Diameter
Plain	Etched	Plain	Etched	in	mm	in
10309741	10309758	RX-032-12-50	RX-032-12-50-LN	5.5	139.7	1/2
10309597	10308978	RX-032-12-70	RX-032-12-70-LN	7.375	187.3	1/2
10309035	10308966	RX-032-12-110	RX-032-12-110-LN	11.25	255.8	1/2

- Material: Clamp in reinforced polyamide (PA)
- Stainless steel rod
- Bolt in stainless steel, nut in nickel plated brass
- Injection molding through the stainless steel tube results in a strong and crush-resistant rod.

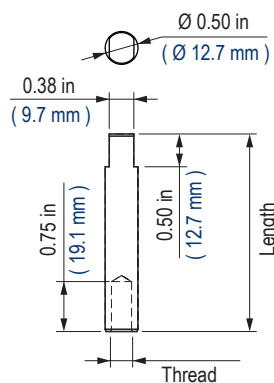
### Guide Rail Clamp For Round Rods



Part Number	Reference Description	Rod Diameter
		in
10309037	RX-019-12	1/2

- Material: Clamp in acetal (POM)
- Bolt in stainless steel, nut in nickel plated brass

## Adjusting Rods – Tapped – 1/2in

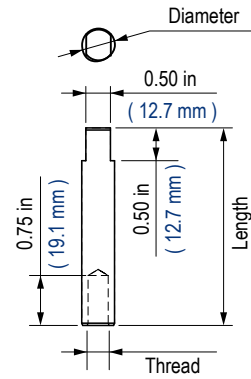


Part Number		Reference Description		Diameter	Thread	Length	
Plain	Etched	Plain	Etched	in	in	in	mm
10309416	10309608	RX-212-3-38	RX-212-3-38-LN	1/2	3/8-16	3	76.2
10309392	10309662	RX-212-3-516	RX-212-3-516-LN	1/2	5/16-18	3	76.2
10309018	10309839	RX-212-4-38	RX-212-4-38-LN	1/2	3/8-16	4	101.6
10309155	10309122	RX-212-4-516	RX-212-4-516-LN	1/2	5/16-18	4	101.6
10309618	10309131	RX-212-5-38	RX-212-5-38-LN	1/2	3/8-16	5	127.0
10309144	–	RX-212-5-516	–	1/2	5/16-18	5	127.0
10309266	10309509	RX-212-6-14	RX-212-6-14-LN	1/2	1/4-20	6	152.4
10309772	10309006	RX-212-6-38	RX-212-6-38-LN	1/2	3/8-16	6	152.4
10309104	10309684	RX-212-6-516	RX-212-6-516-LN	1/2	5/16-18	6	152.4
10309514	10309308	RX-212-7-14	RX-212-7-14-LN	1/2	1/4-20	7	177.8
10309712	10308969	RX-212-7-38	RX-212-7-38-LN	1/2	3/8-16	7	177.8
10309609	10309878	RX-212-7-516	RX-212-7-516-LN	1/2	5/16-18	7	177.8
10309123	10309375	RX-212-8-38	RX-212-8-38-LN	1/2	3/8-16	8	203.2
10309078	10309577	RX-212-8-516	RX-212-8-516-LN	1/2	5/16-18	8	203.2
10309679	10309382	RX-212-10-14	RX-212-10-14-LN	1/2	1/4-20	10	254.0
10309814	10309838	RX-212-10-38	RX-212-10-38-LN	1/2	3/8-16	10	254.0
10309357	10309788	RX-212-10-516	RX-212-10-516-LN	1/2	5/16-18	10	254.0
10309733	10309297	RX-212-12-38	RX-212-12-38-LN	1/2	3/8-16	12	304.8
10309605	10309172	RX-212-12-516	RX-212-12-516-LN	1/2	5/16-18	12	304.8
10308996	10309043	RX-212-15-38	RX-212-15-38-LN	1/2	3/8-16	15	381.0
10309409	10309750	RX-212-15-516	RX-212-15-516-LN	1/2	5/16-18	15	381.0
10309237	10309621	RX-212-18-38	RX-212-18-38-LN	1/2	3/8-16	18	457.2
10309128	10309825	RX-212-18-516	RX-212-18-516-LN	1/2	5/16-18	18	457.2
10309571	10309589	RX-212-24-38	RX-212-24-38-LN	1/2	3/8-16	24	609.6
10309697	10309661	RX-212-24-516	RX-212-24-516-LN	1/2	5/16-18	24	609.6

– Material: stainless steel

– Usage: May be used with RX-011-025 or RX-018-01.

## Adjusting Rods – Tapped – 5/8in

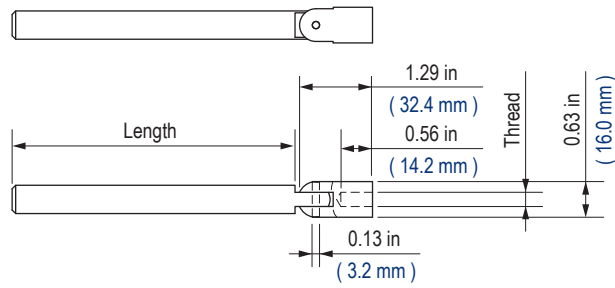


Part Number		Reference Description		Diameter	Thread	Length	
Plain	Etched	Plain	Etched	in	in	in	mm
10309160	10309094	RX-232-4-38	RX-232-4-38-LN	5/8	3/8-16	4	101.6
10309713	10309666	RX-232-4-516	RX-232-4-516-LN	5/8	5/16-18	4	101.6
10309784	10309143	RX-232-6-38	RX-232-6-38-LN	5/8	3/8-16	6	152.4
10309860	10309383	RX-232-6-516	RX-232-6-516-LN	5/8	5/16-18	6	152.4
10309280	10309460	RX-232-8-38	RX-232-8-38-LN	5/8	3/8-16	8	203.2
10309451	10309525	RX-232-8-516	RX-232-8-516-LN	5/8	5/16-18	8	203.2
10309347	10309723	RX-232-10-38	RX-232-10-38-LN	5/8	3/8-16	10	254.0
10309417	10309142	RX-232-10-516	RX-232-10-516-LN	5/8	5/16-18	10	254.0
10309185	10309771	RX-232-12-38	RX-232-12-38-LN	5/8	3/8-16	12	304.8
10309667	10309234	RX-232-12-516	RX-232-12-516-LN	5/8	5/16-18	12	304.8
10309441	10309555	RX-232-15-38	RX-232-15-38-LN	5/8	3/8-16	15	381.0
10309824	10309836	RX-232-15-516	RX-232-15-516-LN	5/8	5/16-18	15	381.0
10309547	10309719	RX-232-18-38	RX-232-18-38-LN	5/8	3/8-16	18	457.2
10309044	10309532	RX-232-18-516	RX-232-18-516-LN	5/8	5/16-18	18	457.2
10309572	10309275	RX-232-24-38	RX-232-24-38-LN	5/8	3/8-16	24	609.6
10309261	10309465	RX-232-24-516	RX-232-24-516-LN	5/8	5/16-18	24	609.6

- Material: 5/8" diameter stainless steel rod
- May be used in conjunction with MP-DRC-025 or MP-SAC-01.



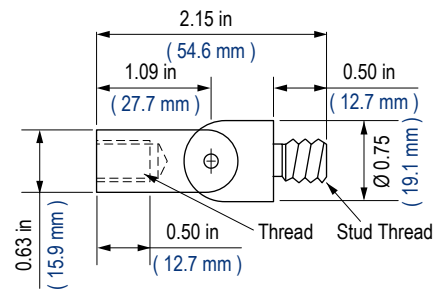
## Jointed Adjusting Rod – Tapped



Part Number	Reference Description	Diameter	Length		Thread
			in	mm	
10309641	RX-212J-3-38	1/2	3	76.2	3/8-16
10309674	RX-212J-3-516	1/2	3	76.2	5/16-18
10309096	RX-212J-5-38	1/2	5	127.0	3/8-16
10309221	RX-212J-5-516	1/2	5	127.0	5/16-18
10309552	RX-212J-7-38	1/2	7	177.8	3/8-16
10309437	RX-212J-7-516	1/2	7	177.8	5/16-18
10309557	RX-212J-9-38	1/2	9	228.6	3/8-16
10309870	RX-212J-9-516	1/2	9	228.6	5/16-18
10309216	RX-232J-4-38	5/8	4	101.6	3/8-16
10309470	RX-232J-4-516	5/8	4	101.6	5/16-18
10309355	RX-232J-6-38	5/8	6	152.4	3/8-16
10309040	RX-232J-6-516	5/8	6	152.4	5/16-18
10309732	RX-232J-8-38	5/8	8	203.2	3/8-16
10309813	RX-232J-8-516	5/8	8	203.2	5/16-18
10309864	RX-232J-10-38	5/8	10	254.0	3/8-16
10309290	RX-232J-10-516	5/8	10	254.0	5/16-18

– Material: stainless steel

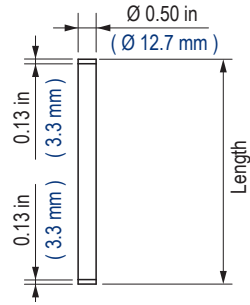
## Jointed Rod Adaptor



Part Number	Reference Description	Stud Thread	Thread
10309467	RX-212JQ-38	3/8-16	3/8-16
10309345	RX-212JQ-516	5/16-18	5/16-18

– Material: stainless steel

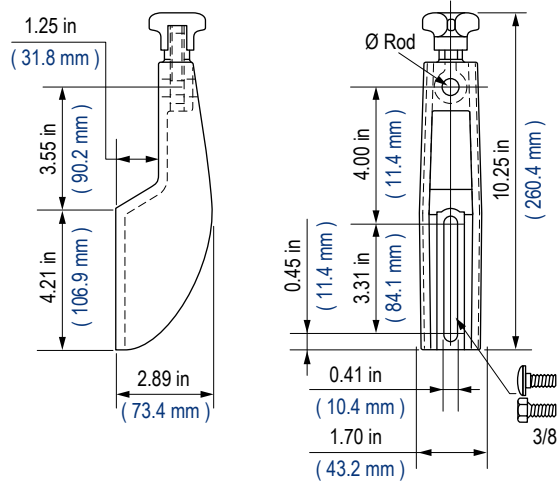
## Support Rods With Caps



Part Number	Reference Description	Diameter		
		in	in	mm
10309196	RX-215-06-12T	1/2	6	152.4
10309583	RX-215-09-12T	1/2	9	228.6
10309725	RX-215-12-12T	1/2	12	304.8

- Material: Stainless steel rods with polyethylene (PE) end caps
- Usage: Allows for easy positioning of guide rails

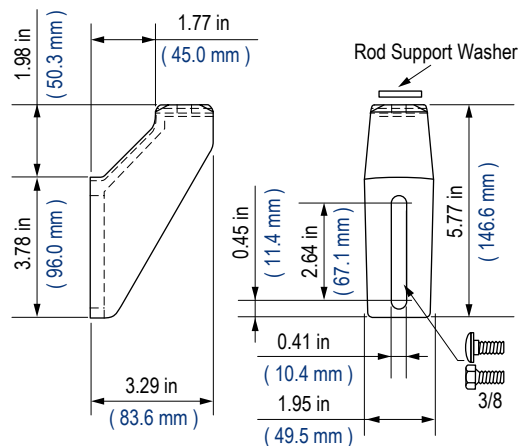
## Heavy Duty Guide Rail Bracket with Eyebolt – 221



Part Number	Reference Description	Rod Diameter
		in
10309722	RX-221-12	1/2
10309775	RX-221-58	5/8

– Material: Bracket body in polyamide (PA), nickel plated brass knob and stainless steel hardware

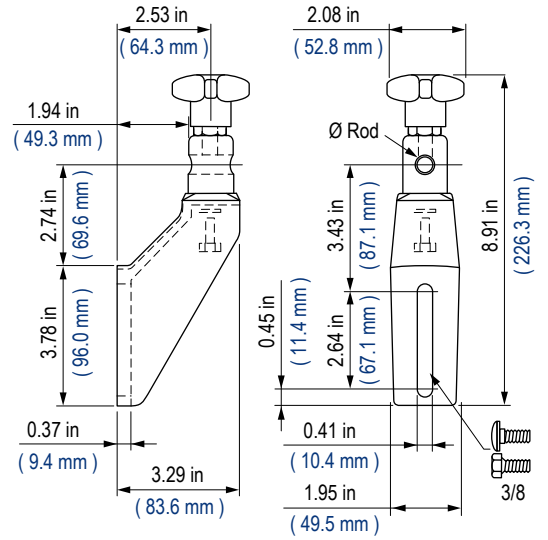
## Bracket Body – 203L



Part Number	Reference Description
10309513	RX-203L

– Material: Bracket body in polyamide (PA), stainless steel washer.  
 – Rod not included

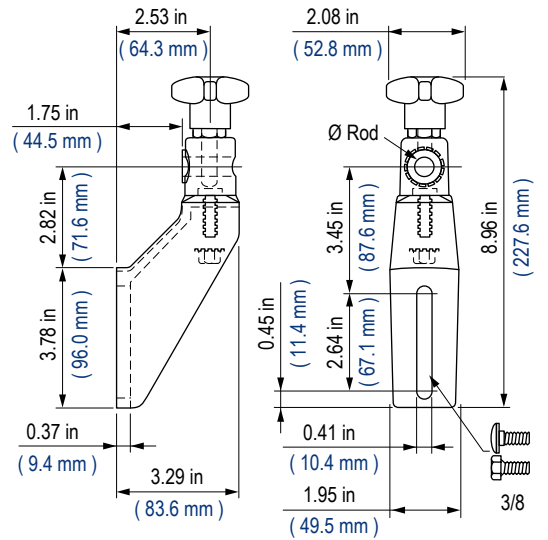
### Guide Rail Bracket with Stainless Swivel Head – 203LHS



Part Number	Reference Description	Rod Diameter
		in
10309299	RX-203LHS-12	1/2
10309831	RX-203LHS-58	5/8

– Material: Bracket body and knob in polyamide (PA), stainless steel swivel head and hardware

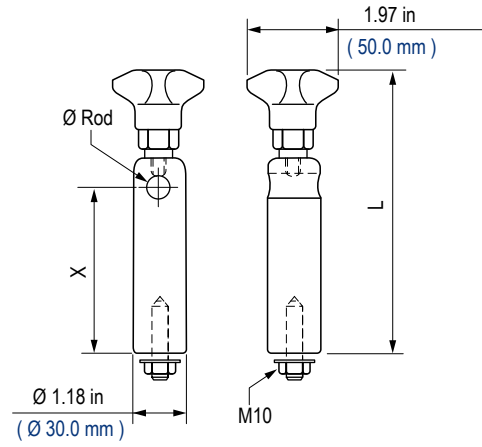
### Guide Rail Bracket with Swivel Head – 203LTC



Part Number	Reference Description	Rod Diameter
		in
10309075	RX-203LTC-12	1/2
10309440	RX-203LTC-58	5/8

– Material: Bracket body, transition cap and knob in polyamide (PA), stainless steel hardware

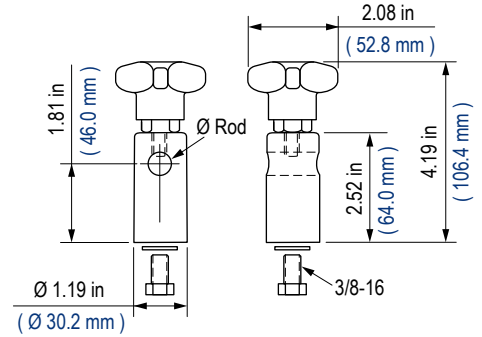
### Swivel Cap Assembly – 13129V



Without Lag Holes		Height - X		Height - L		Rod Diameter
Part Number	Reference Description	in	mm	in	mm	in
10309228	RX-13130V	5.12	130.0	5.71	145.0	1/2
10308982	RX-13129V	3.54	89.9	4.21	106.9	5/8

- Material: Polyamide (PA) knob, stainless steel cap and hardware.
- No tools required

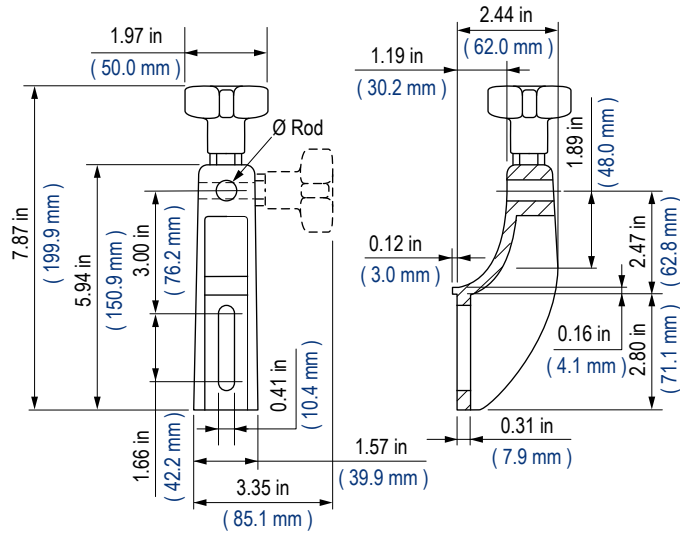
### Swivel Cap Assembly – 203HTS



Without Lag Holes		Rod Diameter
Part Number	Reference Description	in
10309578	RX-203HTS-12	1/2
10309816	RX-203HTS-58	5/8

- Material: Polyamide (PA) knob, stainless steel cap and hardware.
- No tools required
- For use with RX-203L bracket body

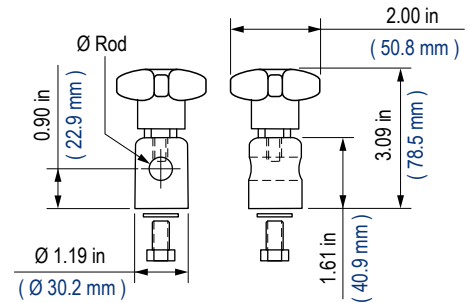
### Guide Rail Bracket with Eyebolt – 210



Part Number	Reference Description	Rod Diameter
		in
10309880	-	1/2
10309368	-	5/8

- Material: Bracket body, transition cap and knob in polyamide (PA), nickel plated brass knob and stainless steel hardware

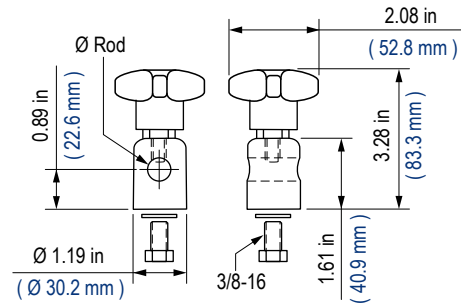
### Swivel Cap Assembly – 202HS



Part Number	Reference Description	Rod Diameter
		in
10309333	RX-202HS-12	1/2
10309273	RX-202HS-58	5/8

- Material: Polyamide (PA) knob, stainless steel cap, and hardware  
 - No tools required.

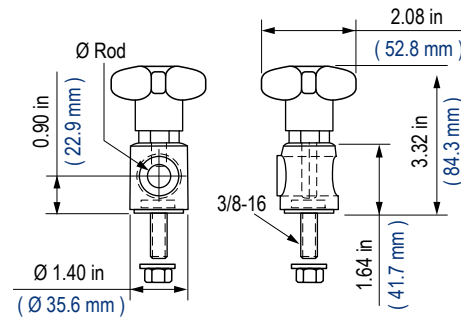
### Swivel Cap Assembly – 203HS



Part Number	Reference Description	Rod Diameter
		in
10309522	RX-203HS-12	1/2
10309796	RX-203HS-58	5/8

- Material: Polyamide (PA) knob, stainless steel cap, and hardware
- No tools required
- For use on RX-203L body

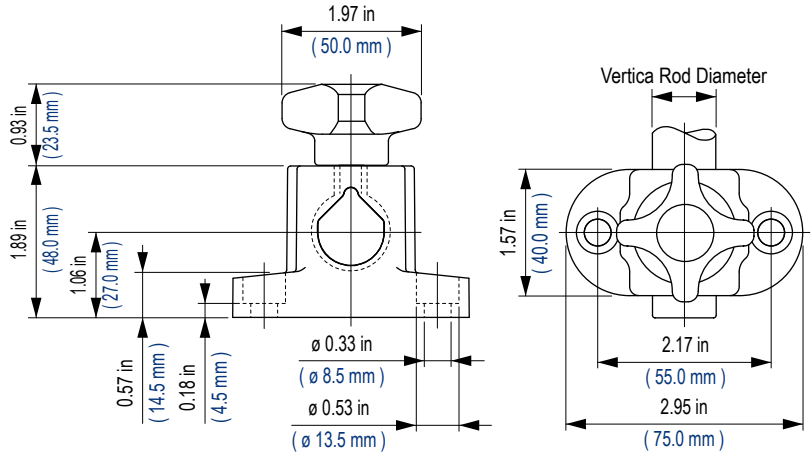
### Swivel Cap Assembly – 203TC



Part Number	Reference Description	Rod Diameter
		in
10309342	RX-203TC-12	1/2
10309064	RX-203TC-58	5/8

- Material: Polyamide (PA) knob and cap, stainless steel eyelet and nut

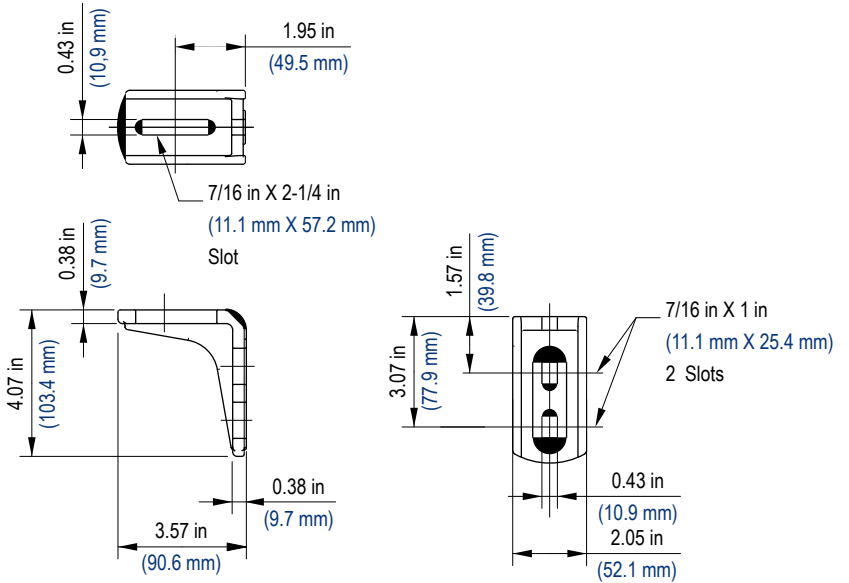
### T-Clamp With Eyebolt



Part Number	Reference Description	Rod Diameter
		in
10139404	763-610633	3/4

– Material: clamp and knob in reinforced polyamide (PA), threaded insert in nickel plated brass; nut, washer and eyebolt in stainless steel

### Lower Conveyor Bracket – Type 1

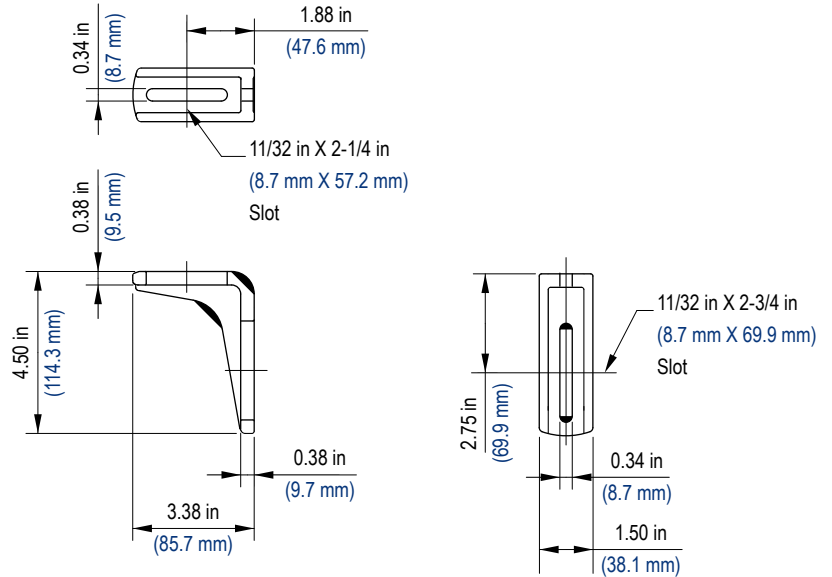


Part Number	Reference Description
10072876	114-399-1

– Material: Reinforced black polyamide (PA)



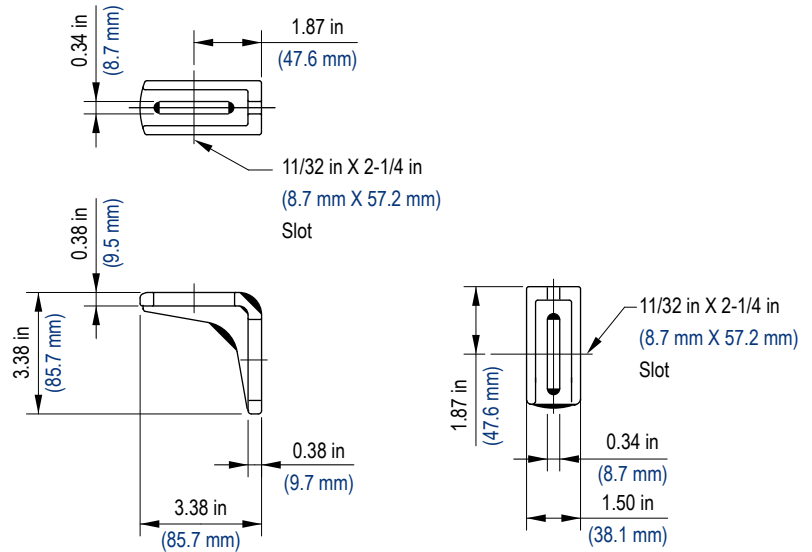
### Lower Conveyor Bracket – Type 2



Part Number	Reference Description
10075613	114-671-1

– Material: Reinforced black polyamide (PA)

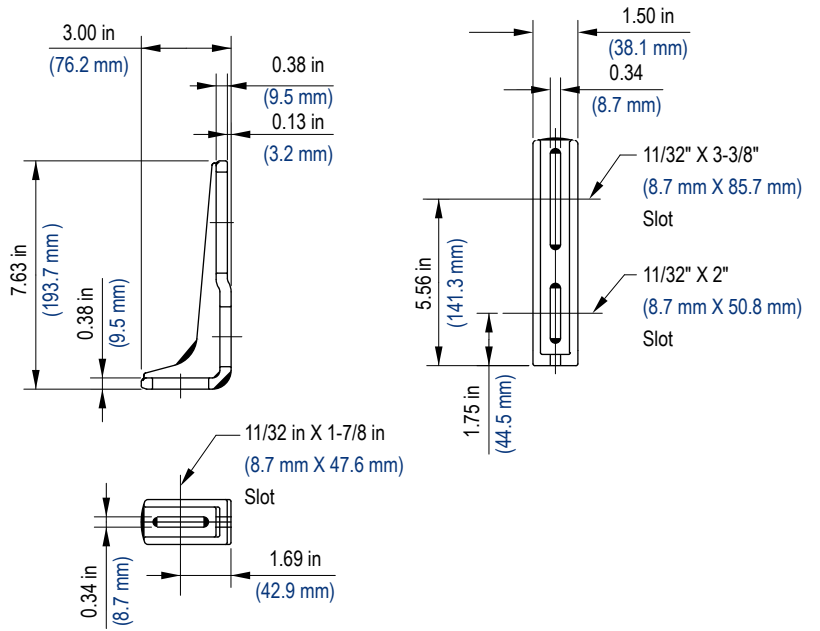
### Lower Conveyor Bracket – Type 3



Part Number	Reference Description
10075615	114-673-1

– Material: Reinforced black polyamide (PA)

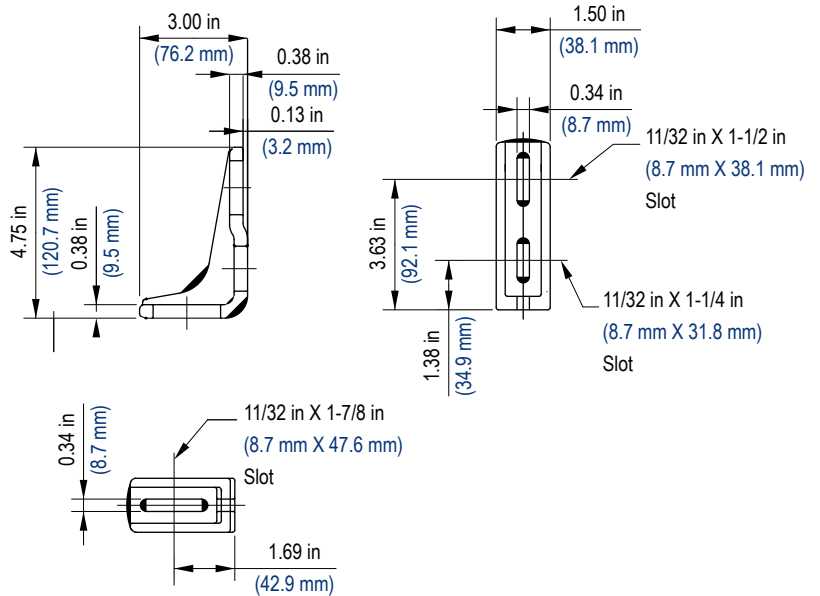
### Upper Conveyor Bracket – Type A



Part Number	Reference Description
10075616	114-674-1

– Material: Reinforced black polyamide (PA)

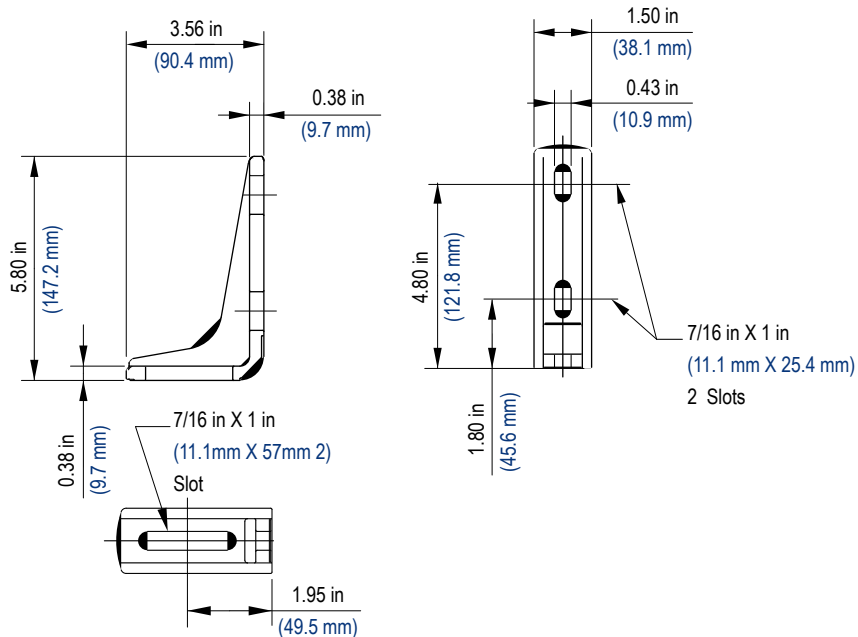
### Upper Conveyor Bracket – Type B



Part Number	Reference Description
10075614	114-672-1

– Material: Reinforced black polyamide (PA)

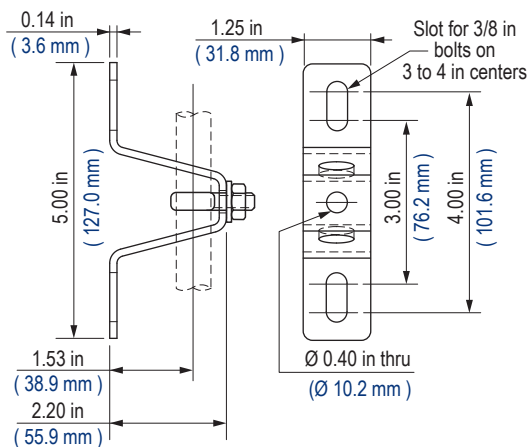
### Upper Conveyor Bracket – Type C



Part Number	Reference Description
10072867	114-398-1

– Material: Reinforced black polyamide (PA)

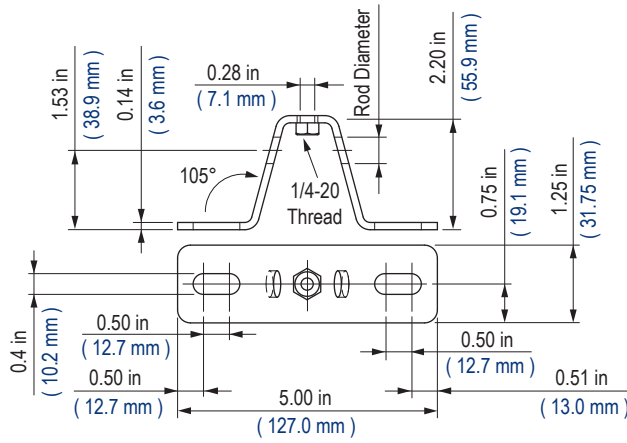
### Bracket With Eyelet and Nut – 253N



Part Number	Reference Description	Rod Diameter
		in
10309410	RX-253N-S-12	1/2
10309293	RX-253N-S-58	5/8

- Material: Stainless steel bracket and hardware
- Usage: Provides positioning of round rods
- Heavy duty for increased strength
- Rod not included

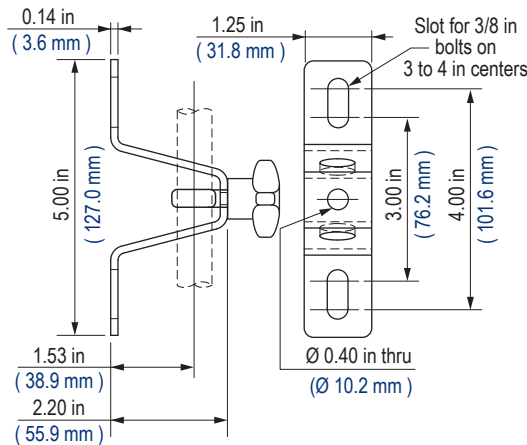
### Bracket With Hex Head Bolt – 253B



Part Number	Reference Description	Rod Diameter
		in
10309566	RX-253B-S-12	1/2
10309312	RX-253B-S-58	5/8

- Material: Stainless steel bracket and hardware
- Usage: Provides positioning of round rods
- Heavy duty for increased strength
- No tools required
- Rod not included

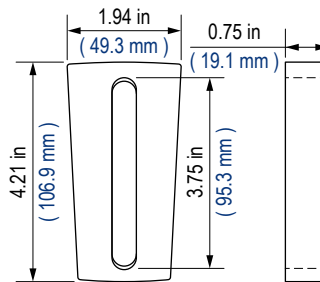
### Bracket With Hex Hand Knob – 253K



Part Number	Reference Description	Rod Diameter
		in
10309130	RX-253K-S-12	1/2
10309389	RX-253K-S-58	5/8

- Material: Stainless steel bracket and hardware. Knob in polyamide (PA)
- Usage: Provides positioning of round rods
- Heavy duty for increased strength
- No tools required
- Rod not included

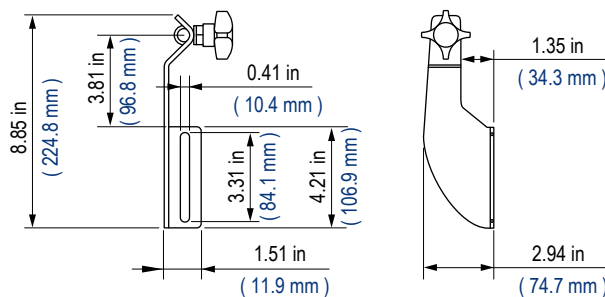
### Spacer – 293



Part Number	Reference Description
10309835	RX-293

- Material: Black polyamide (PA)
- Used alone or in multiples to increase distance between RX-221 brackets and conveyor frame

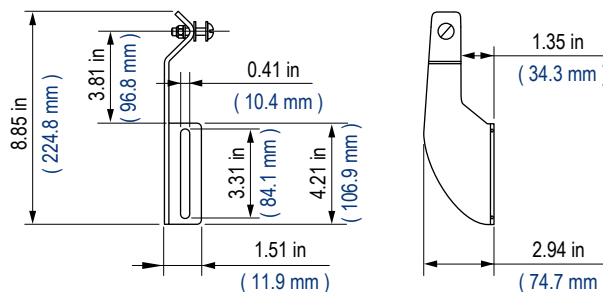
### Heavy Duty Stainless Steel Bracket With Knob



Part Number	Reference Description	Rod Diameter
		in
10309251	RX-223-12-01	1/2
10309672	RX-223-58-01	5/8

- Material: Stainless steel bracket, polyamide (PA) knob
- Usage: Provides positioning of round rods
- Sanitary design.
- High temperature and corrosion resistant

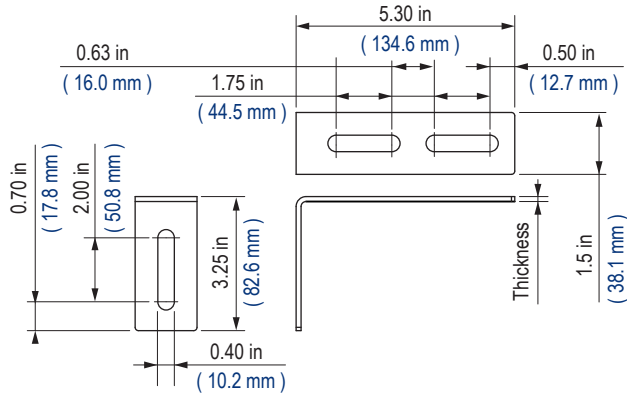
### Heavy Duty Stainless Steel Bracket With Nut



Part Number	Reference Description	Rod Diameter
		in
10309700	RX-223N-12-01	1/2
10309372	RX-223N-58-01	5/8

- Material: Stainless steel bracket and hardware
- Usage: Provides positioning of round rods
- Sanitary design.
- High temperature and corrosion resistant

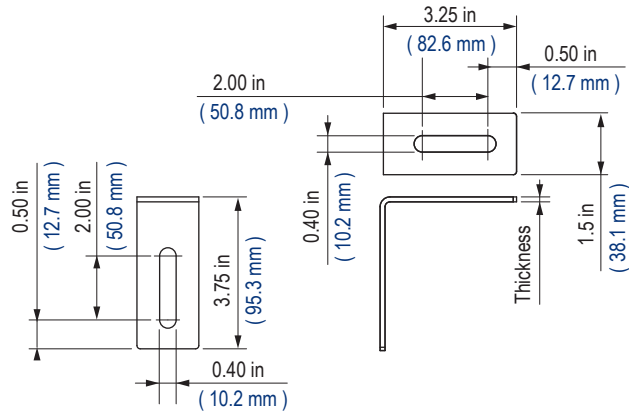
### Long Angle Bracket – Double Slot



Part Number	Reference Description	Material	Thickness	
			in	mm
10308983	RX-205-A-18-S	SS	1/8	3.2
10309007	RX-205-A-316-S	SS	3/16	4.8
10309138	RX-205-A-14-S	SS	1/4	6.4
10309264	RX-205-A-18-P	Chrome Plated	1/8	3.2
10309066	RX-205-A-316-P	Chrome Plated	3/16	4.8
10309298	RX-205-A-14-P	Chrome Plated	1/4	6.4

– Material: Brackets are either 304 stainless steel or chrome plated

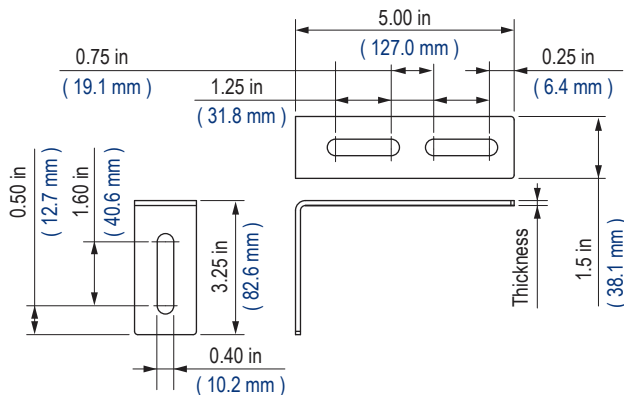
### Standard Angle Bracket – Single Slot



Part Number	Reference Description	Material	Thickness	
			in	mm
10309647	RX-205-B-18-S	SS	1/8	3.2
10309545	RX-205-B-316-S	SS	3/16	4.8
10309099	RX-205-B-14-S	SS	1/4	6.4
10309371	RX-205-B-18-P	Chrome Plated	1/8	3.2
10309108	RX-205-B-316-P	Chrome Plated	3/16	4.8
10309263	RX-205-B-14-P	Chrome Plated	1/4	6.4

– Material: Brackets are either 304 stainless steel or chrome plated

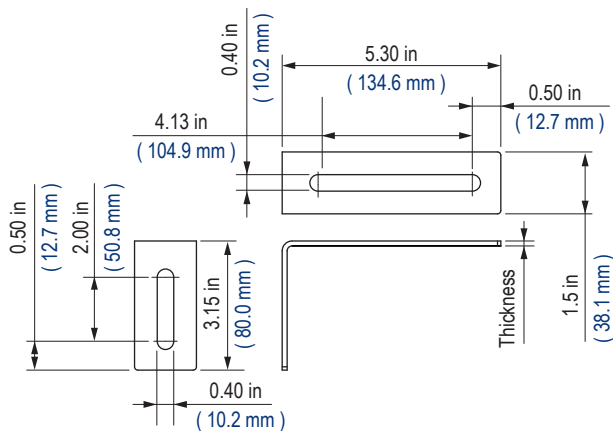
### Standard Angle Bracket – Double Slot



Part Number	Reference Description	Material	Thickness	
			in	mm
10309787	RX-205-C-18-S	SS	1/8	3.2
10309794	RX-205-C-316-S	SS	3/16	4.8
10309137	RX-205-C-14-S	SS	1/4	6.4
10309842	RX-205-C-18-P	Chrome Plated	1/8	3.2
10309747	RX-205-C-316-P	Chrome Plated	3/16	4.8
10309588	RX-205-C-14-P	Chrome Plated	1/4	6.4

– Material: Brackets are either 304 stainless steel or chrome plated

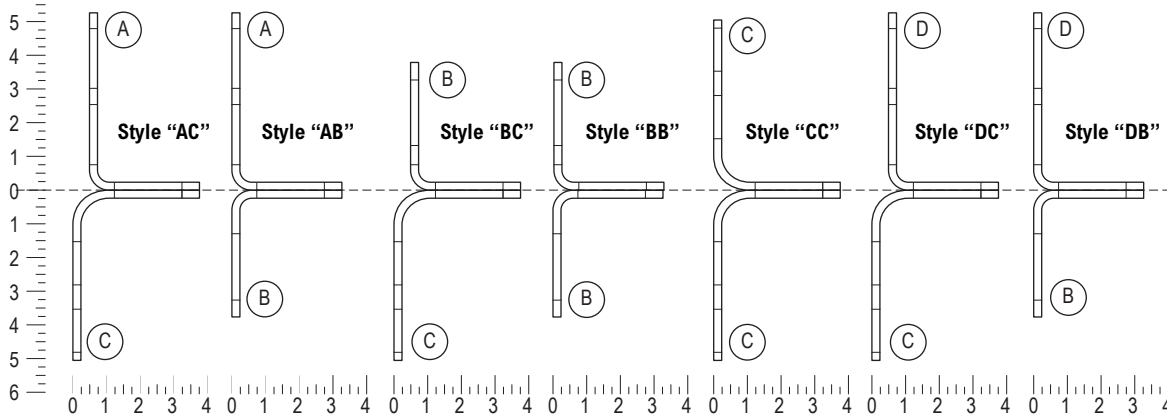
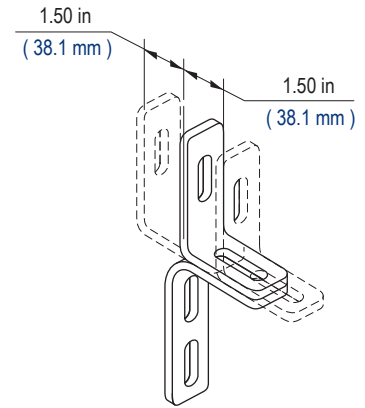
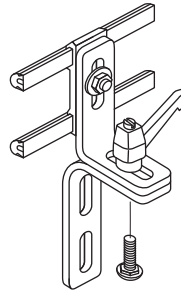
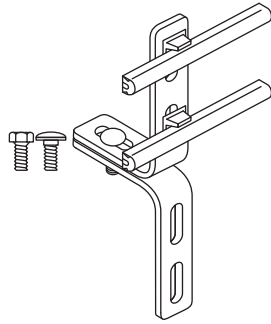
### Long Angle Bracket – Single Slot



Part Number	Reference Description	Material	Thickness	
			in	mm
10309706	RX-205-D-18-S	SS	1/8	3.2
10309603	RX-205-D-316-S	SS	3/16	4.8
10309827	RX-205-D-14-S	SS	1/4	6.4
10309868	RX-205-D-18-P	Chrome Plated	1/8	3.2
10309443	RX-205-D-316-P	Chrome Plated	3/16	4.8
10309876	RX-205-D-14-P	Chrome Plated	1/4	6.4

– Material: Brackets are either 304 stainless steel or chrome plated

# Standard Metal "L" Bracket Assemblies



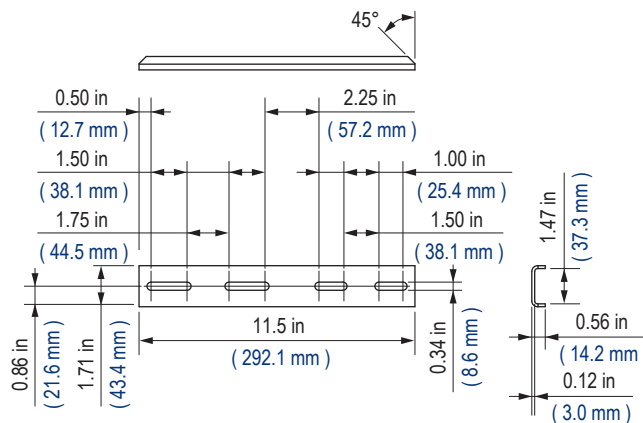
Material	Style AC		Style AB		Style BC		Style BB	
	Part Number	Ref Description	Part Number	Ref Description	Part Number	Ref Description	Part Number	Ref Description
SS	10309384	RX-205-AC-18-S	10309563	RX-205-AB-18-S	10309132	RX-205-BC-18-S	10309214	RX-205-BB-18-S
	10309303	RX-205-AC-316-S	10309436	RX-205-AB-316-S	10309021	RX-205-BC-316-S	10309548	RX-205-BB-316-S
	10309208	RX-205-AC-14-S	10309320	RX-205-AB-14-S	10309116	RX-205-BC-14-S	10309119	RX-205-BB-14-S
ZN	10308971	RX-205-AC-18-P	10309602	RX-205-AB-18-P	10309184	RX-205-BC-18-P	10309521	RX-205-BB-18-P
	10309628	RX-205-AC-316-P	10309213	RX-205-AB-316-P	10309768	RX-205-BC-316-P	10309211	RX-205-BB-316-P
	10309175	RX-205-AC-14-P	10309754	RX-205-AB-14-P	10309875	RX-205-BC-14-P	10309424	RX-205-BB-14-P

Material	Style CC		Style DC		Style DB	
	Part Number	Ref Description	Part Number	Ref Description	Part Number	Ref Description
SS	10309582	RX-205-CC-18-S	10309129	RX-205-DC-18-S	10309223	RX-205-DB-18-S
	10309574	RX-205-CC-316-S	10309501	RX-205-DC-316-S	10309421	RX-205-DB-316-S
	10309341	RX-205-CC-14-S	10309002	RX-205-DC-14-S	10309671	RX-205-DB-14-S
ZN	10309399	RX-205-CC-18-P	10309187	RX-205-DC-18-P	10309167	RX-205-DB-18-P
	10309386	RX-205-CC-316-P	10309731	RX-205-DC-316-P	10309242	RX-205-DB-316-P
	10309258	RX-205-CC-14-P	10309439	RX-205-DC-14-P	10309304	RX-205-DB-14-P

- All kits are supplied with basic hardware
- Stainless brackets get stainless hardware
- Plated brackets get plated hardware



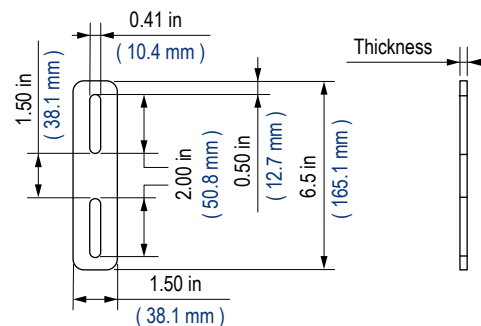
## Fixed Guide Rail Bracket



Part Number	Reference Description	Material	Length	
			in	mm
10309523	RX-201-S115	SS	11.50	292.1

– Material: 304 stainless steel

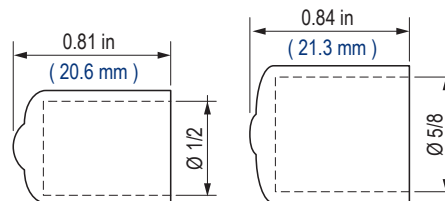
## Adjustable Support Bar



Part Number	Reference Description	Material	Thickness		Length	
			in	mm	in	mm
10309319	RX-204-B14-S	SS	0.25	6.4	6.50	165.1

- Material: Stainless steel
- Usage: Support for guide rail.
- Longer slots for greater adjustability
- Used with 3/8 in bolts

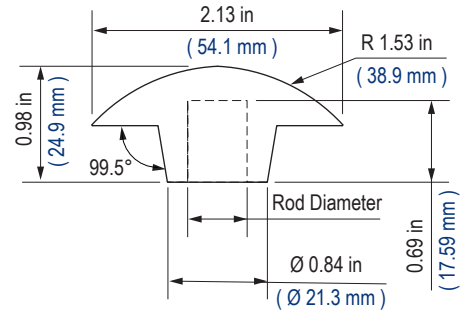
## Adjusting Rod Protective Caps



Part Number	Reference Description	Color	Rod Diameter
			in
10309163	RX-200-4R	Red	1/2
10309728	RX-200-4Y	Yellow	1/2
10309276	RX-200-5R	Red	5/8
10309135	RX-200-5Y	Yellow	5/8

- Material: PVC
- Usage: Can be used with RX-212 or RX-232 series adjusting rods

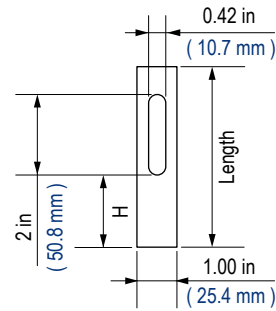
## Adjusting Rod Safety Caps



Part Number	Reference Description	Rod Diameter
		in
10309268	RX-200-225-12-B	1/2
10308972	RX-200-225-58-B	5/8

- Material: Black rubber
- Protects personnel from exposed rod ends

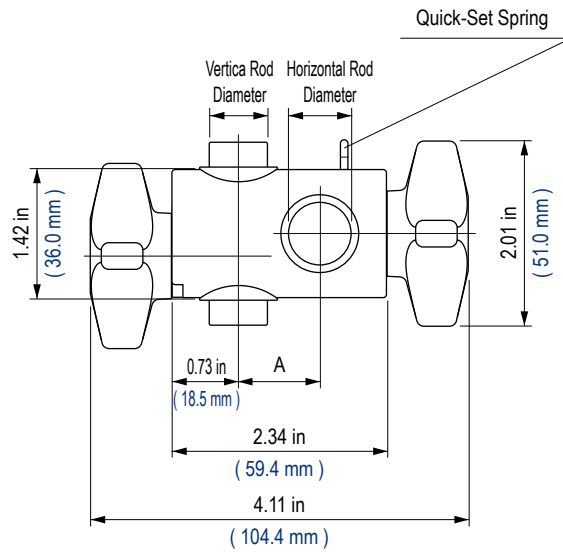
## Mounting Bars



Part Number	Reference Description	Material	Length		H	
			in	mm	in	mm
10309761	RX-204F-45-316S	SS	4.50	114.3	0.70	17.8
10309065	RX-204F-75-316S	SS	7.50	190.5	1.8	45.7

- Material: Stainless steel bracket and hardware
- 3/8in carriage bolt and washer are included

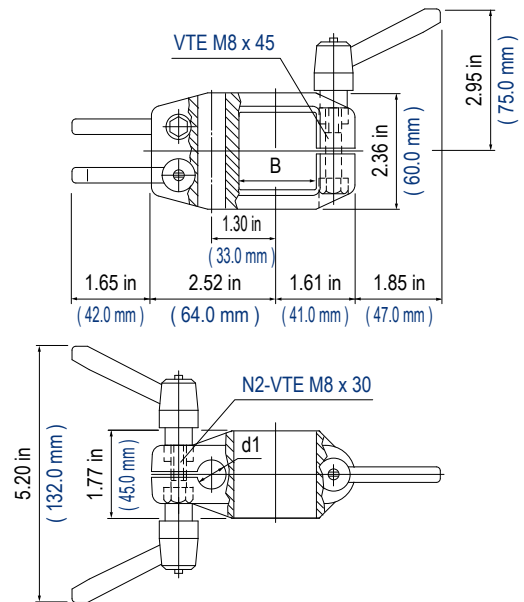
### Cross Block with Quick-Set



Part Number	Reference Description	Vertical Dia	Horizontal Dia	A	
		in	in	in	mm
10138977	732-692352N	1/2	1/2	0.95	24.1
10138978	732-692362N	1/2	5/8	0.95	24.1
10138979	732-692372N	5/8	5/8	0.87	22.0

- Material: Clamp and knobs in reinforced polyamide (PA), eyebolts in stainless steel
- Quick Set spring on one of the two rods

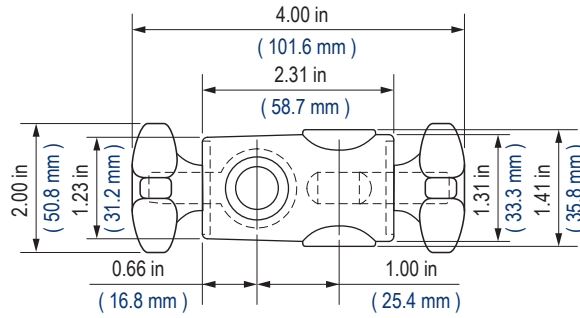
### Cross Clamp with Ratchet Handle Clamping – Square Bore



Part Number	Reference Description	Vertical Dia	Horizontal Dia
		in	in
10138058	655-673132N	5/8	1-1/2 Tube
10138059	655-673142N	3/4	1-1/2 Tube

- Material clamp: Body in reinforced polyamide (PA), stainless steel hardware
- Material handles: Body in reinforced polyamide (PA), threaded insert in nickel plated brass

## Heavy Duty Cross Blocks



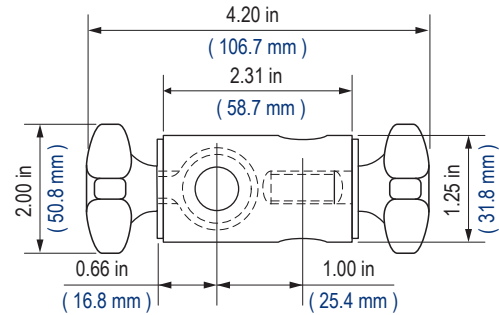
Part Number	Reference Description	No. of Knobs	No. of Nuts	Rod Diameter 1	Rod Diameter 2
				in	in
10309850	RX-621-12-12	2	–	1/2	1/2
10309103	RX-621-12-58	2	–	1/2	5/8
10309146	RX-621-58-58	2	–	5/8	5/8
10309260	RX-621NK-12-12	1	1	1/2	1/2
10309551	RX-621NK-12-58	1	1	1/2	5/8
10308986	RX-621NK-58-58	1	1	5/8	5/8
10309431	RX-621NN-12-12	–	2	1/2	1/2
10309272	RX-621NN-12-58	–	2	1/2	5/8
10309652	RX-621NN-58-58	–	2	5/8	5/8

– Material: Polyamide (PA) body. Polyamide (PA) knob with brass insert. Stainless steel hardware

Three versions:

- Two-knob version for easy horizontal and vertical adjustment
- One-knob, one nut version for one side adjustment
- Two nut version (with supplied lock washers) which allow for permanent positioning
- Rods not included

## Stainless Steel Cross Blocks



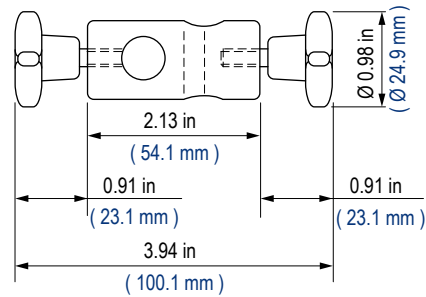
Part Number	Reference Description	No. of Knobs	No. of Nuts	Rod Diameter 1	Rod Diameter 2
				in	in
10309244	RX-621SNK-12-12	1	1	1/2	1/2
10309517	RX-621SNK-12-58	1	1	1/2	5/8
10308980	RX-621SNK-58-58	1	1	5/8	5/8
10309199	RX-621SNN-12-12	–	2	1/2	1/2
10309313	RX-621SNN-12-58	–	2	1/2	5/8
10309696	RX-621SNN-58-58	–	2	5/8	5/8

– Material: Stainless steel body. Polyamide (PA) knob with brass insert. Stainless steel hardware

Two versions:

- One-knob, one nut version for one side adjustment
- Two nut version (with supplied lock washers) which allow for permanent positioning
- Rods not included

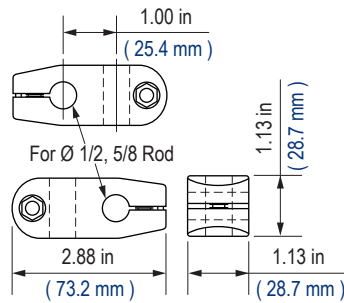
### Light Duty Cross Block



Part Number	Reference Description	Rod Diameter 1	Rod Diameter 2
		in	in
10309254	RX-13182	1/2	1/2

- Material: Body and knobs in polyamide (PA)
- Usage: Connects two round rods at 90°
- Light duty

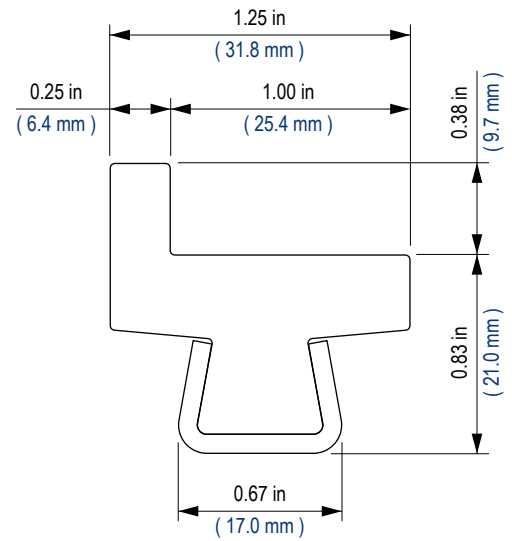
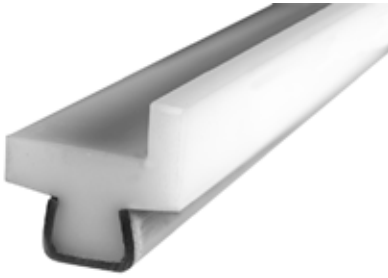
### Cross Block



Part Number	Reference Description	Rod Diameter 1	Rod Diameter 2	Setscrew
		in	in	
10309200	RX-620-12-12	1/2	1/2	No
10309592	RX-620-12-58	1/2	5/8	No
10309492	RX-620-58-58	5/8	5/8	No

- Material: Body in acetal (POM). Stainless steel 1/4-20 bolts and nickel-plated brass nuts
- Usage: Connects two round rods at 90°
- For horizontal or vertical adjustment

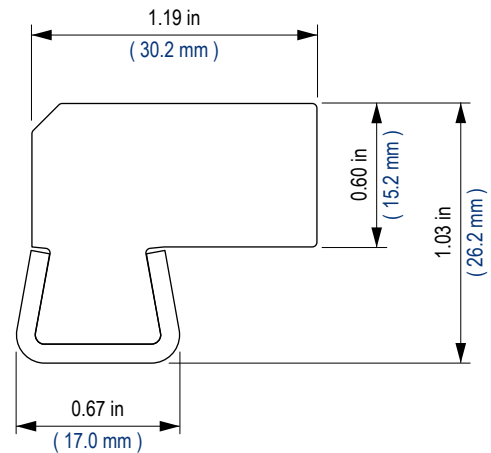
## EII Tee Edge Guide



Part Number	Reference Description	Plastic Profile Material	Length	
			ft	m
10324390	RX-SSLTS-1.0X.38-10	UHMWPE	10	3.05
10350064	–	ULF™	10	3.05

- Material: polyethylene UHMWPE (white) with molecular density 5,600,000 g/mol
- 14-gauge stainless steel sheath
- Linear expansion coefficient:  $2.2 \times 10^{-5} \text{ } ^\circ\text{F}^{-1}$  ( $4 \times 10^{-5} \text{ } ^\circ\text{C}^{-1}$ )
- See engineering manual for calculation of thermal expansion.
- ULF version is solid (no groove)

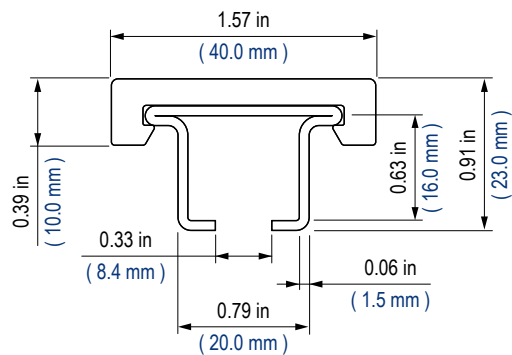
## Tab Guide



Part Number	Reference Description	Plastic Profile Material	Length	
			ft	m
10324403	514-236-1	UHMWPE	10	3.05
10350062	S0764UL653783U	ULF™	10	3.05

- Material: Polyethylene UHMWPE (white) with molecular density 5,600,000 g/mol
- 14-gauge stainless steel sheath
- Linear expansion coefficient:  $2.2 \times 10^{-5} \text{ } ^\circ\text{F}^{-1}$  ( $4 \times 10^{-5} \text{ } ^\circ\text{C}^{-1}$ )
- See engineering manual for calculation of thermal expansion.

## Chain Guide Profile – 367

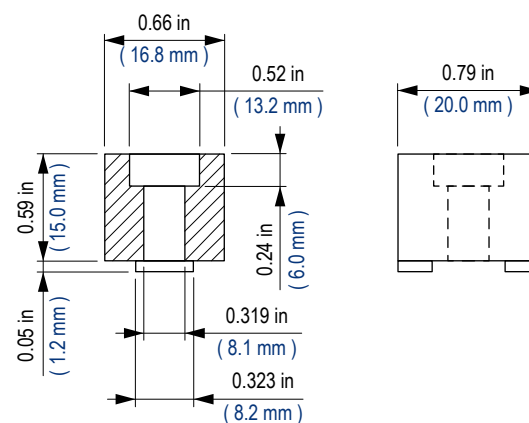


Part Number	Reference Description	Metal Profile Material	Plastic Profile Material	Length	
				ft	m
10375747	367-655712M	Austenitic SS	UHMWPE	10	3.05
10350061	–	Austenitic SS	ULF™	10	3.05

– Plastic Profile Material: Polyethylene UHMWPE with molecular density 5,600,00 g/mol

– Standard Packaging: the plastic and metal profiles are supplied assembled

## Chain Guide Mounting Block



Part Number	Reference Description	Bolt Size
10101811	371-6156	5/16-18 or M8

– Material: Reinforced polyamide (PA)

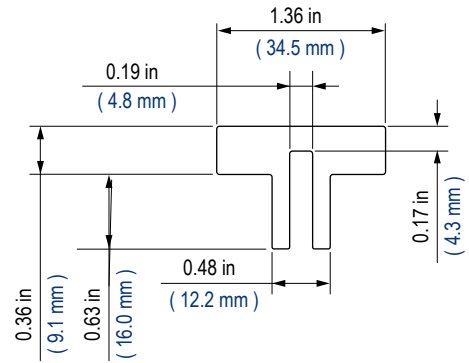
– Use: Easy assembly of wearstrips Part 367 on frame

## Bar Caps

- These UHMWPE caps are designed to clip onto standard thickness flat bar.
- Applications include conveyor chain & belt support, product neck guides, etc.

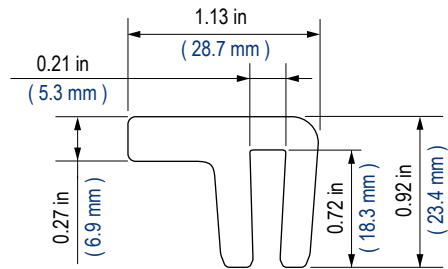
Part Number	Reference Description	Length	
		ft	m
10309060	RX-P316TBC-20	20	6.10

- Material: Polyethylene UHMWPE
- Usage: Chain/belt support
- Clips onto 3/16in flat bar



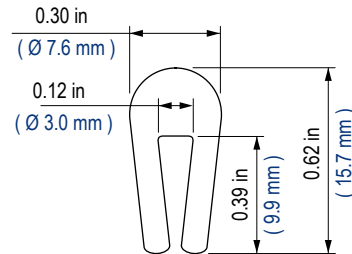
Part Number	Reference Description	Length	
		ft	m
10309127	RX-P7GAHD-10	10	3.05

- Material: Polyethylene UHMWPE
- Usage: Chain/belt retention or support
- Clips onto 7 gauge steel



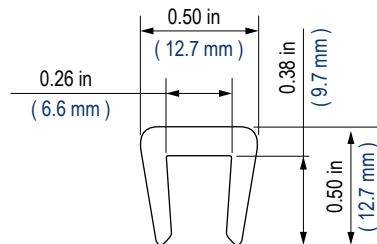
Part Number	Reference Description	Length	
		ft	m
10324362	RX-CSI-538-100	100	30.48

- Material: Polyethylene UHMWPE
- Usage: Chain/belt support or neck guide
- Clips onto 11 gauge or 12 gauge flat bar



Part Number	Reference Description	Length	
		ft	m
10309385	RX-P14BC-20	20	6.10

- Material: Polyethylene UHMWPE
- Usage: Chain/belt support
- Clips onto 1/4in flat bar

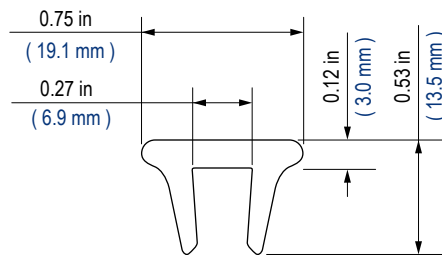




## Bar Caps (continued)

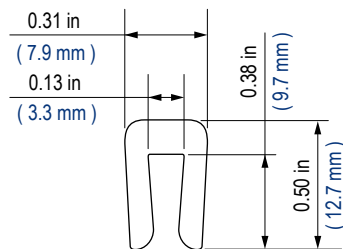
Part Number	Reference Description	Length	
		ft	m
10324414	RX-P14TBC-20	20	6.10

- Material: Polyethylene UHMWPE
- Usage: Chain/belt support
- Clips onto 1/4 in flat bar



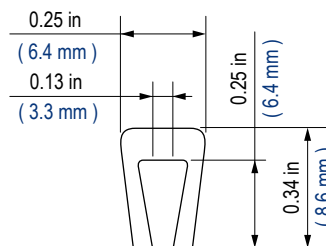
Part Number	Reference Description	Length	
		ft	m
10309373	RX-P18BC-10	10	3.05

- Material: Polyethylene UHMWPE
- Usage: Chain/belt support
- Clips onto 1/8 in, 11 ga, or 12 ga flat bar



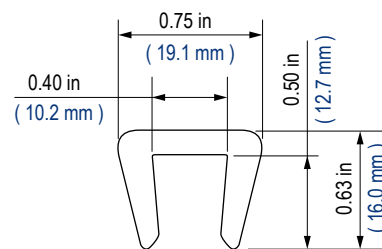
Part Number	Reference Description	Length	
		ft	m
10324419	RX-P204-250	250	76.20

- Material: Polyethylene UHMWPE
- Usage: Chain/belt support
- Clips onto 1/8 in, 11 ga, or 12 ga flat bar



Part Number	Reference Description	Length	
		ft	m
10324432	RX-P38BC-20	20	6.10

- Material: Polyethylene UHMWPE
- Usage: Chain/belt support
- Clips onto 3/8 in flat bar

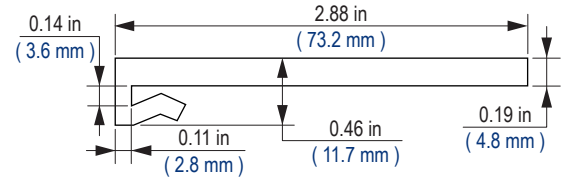


## J-Leg Profiles

- These UHMWPE J-leg profiles are designed to clip onto standard 11 ga, 12 ga, or 1/8in flat bar.
- Applications include conveyor chain & belt support, product neck guides, etc.

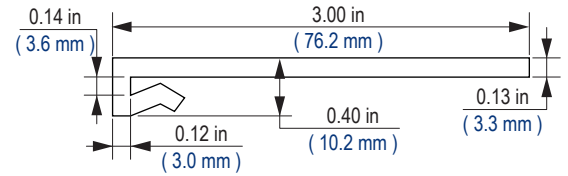
Part Number	Reference Description	Length	
		ft	m
10324406	RX-J288-188-10	10	3.05

- Material: Polyethylene UHMWPE
- Usage: Chain/belt support
- Clips onto 1/8 in, 11 ga, or 12 ga flat bar



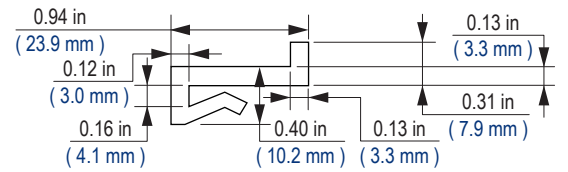
Part Number	Reference Description	Length	
		ft	m
10309351	RX-J300-125-10	10	3.05

- Material: Polyethylene UHMWPE
- Usage: Chain/belt support
- Clips onto 1/8 in, 11 ga, or 12 ga flat bar



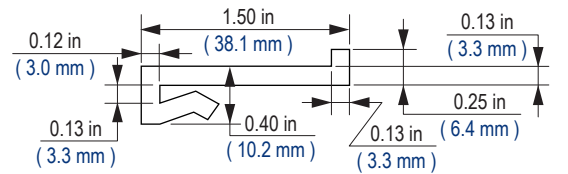
Part Number	Reference Description	Length	
		ft	m
10324409	RX-JEL-081-125-20	20	6.10

- Material: Polyethylene UHMWPE
- Usage: Chain/belt support
- Clips onto 1/8 in, 11 ga, or 12 ga flat bar



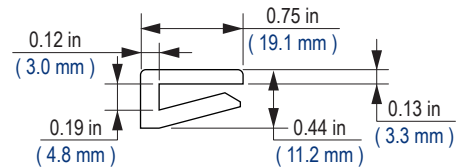
Part Number	Reference Description	Length	
		ft	m
10324411	RX-JL-137-125-20	20	6.10

- Material: Polyethylene UHMWPE
- Usage: Chain/belt support
- Clips onto 1/8 in, 11 ga, or 12 ga flat bar



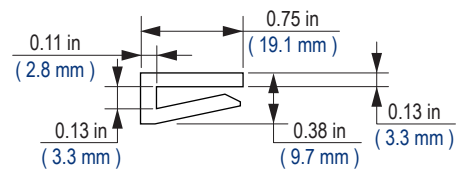
Part Number	Reference Description	Length	
		ft	m
10324412	RX-JS3-075-125-10	10	3.05

- Material: Polyethylene UHMWPE
- Usage: Chain/belt support
- Clips onto 1/8 in, 11 ga, or 12 ga flat bar



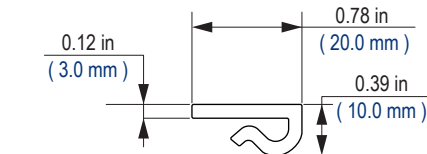
Part Number	Reference Description	Length	
		ft	m
10309235	RX-P18CC-10	10	3.05

- Material: Polyethylene UHMWPE
- Usage: Chain/belt support
- Clips onto 1/8 in, 11 ga, or 12 ga flat bar



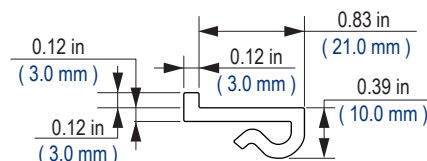
Part Number	Reference Description	Length	
		ft	m
10350046	S0261UL655863U	131.2	40.0

- Material: ULF™ Polyethylene UHMWPE
- Usage: Chain/belt support
- Clips onto 1/8 in, 11 ga, or 12 ga flat bar

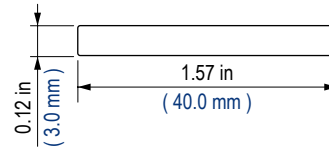


Part Number	Reference Description	Length	
		ft	m
10350068	S0825UL654513U	131.2	40.0

- Material: ULF™ Polyethylene UHMWPE
- Usage: Chain/belt support
- Clips onto 1/8 in, 11 ga, or 12 ga flat bar



## Flat Profile



- Material: ULFTM Polyethylene UHMWPE
- Usage: Chain/belt support

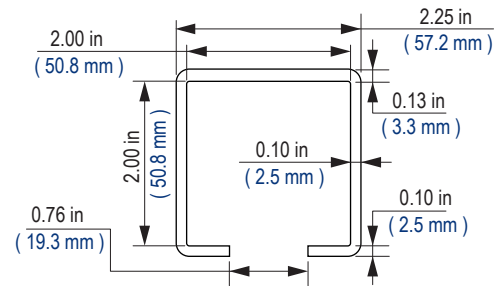
Part Number	Reference Description	Length	
		ft	m
10350013	-	196.8	60

## Tube Covers

- These UHMWPE tube covers are designed to clip onto standard size tubes and flat bar.
- Applications include spiral conveyor vertical wearstrips, etc.

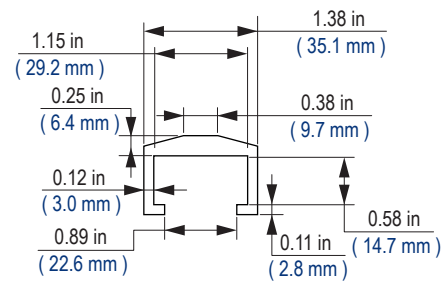
Part Number	Reference Description	Length	
		ft	m
10309125	RX-P2X2BC-20	20	6.10

- Material: Polyethylene UHMWPE
- 2 in x 2 in tube cover



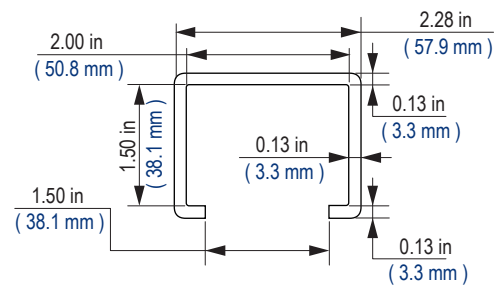
Part Number	Reference Description	Length	
		ft	m
10324435	RX-P58115BC-10	10	3.05

- Material: Polyethylene UHMWPE
- 9/16 in x 1-1/8 in tube cover



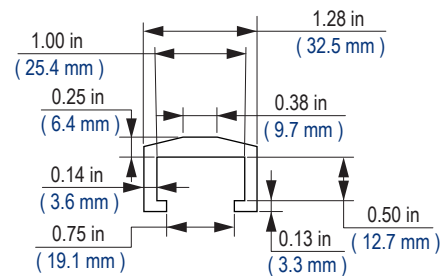
Part Number	Reference Description	Length	
		ft	m
10309034	RX-P1520BC-20	20	6.10

- Material: Polyethylene UHMWPE
- 1-1/2 in x 2 in tube cover



Part Number	Reference Description	Length	
		ft	m
10324434	RX-P5010BC-10	10	3.05

- Material: Polyethylene UHMWPE
- 1/2 in x 1 in bar cover

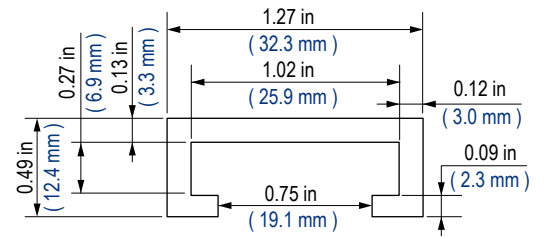


## Bar Covers

– These UHMWPE tube covers are designed to clip onto standard size tubes and flat bar.

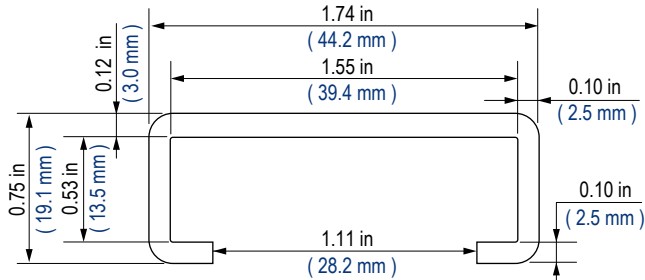
Part Number	Reference Description	Length	
		ft	m
10324426	RX-P2510NBC-20	20	6.10

- Material: Polyethylene UHMWPE
- 1/4 in x 1 in bar cover



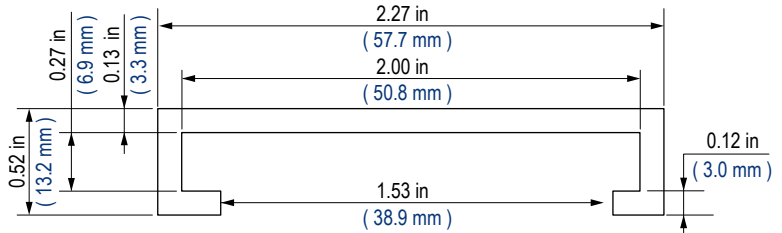
Part Number	Reference Description	Length	
		ft	m
10309332	RX-P5015BC-20	20	6.10

- Material: Polyethylene UHMWPE
- 1/2 in x 1-1/2 in bar cover

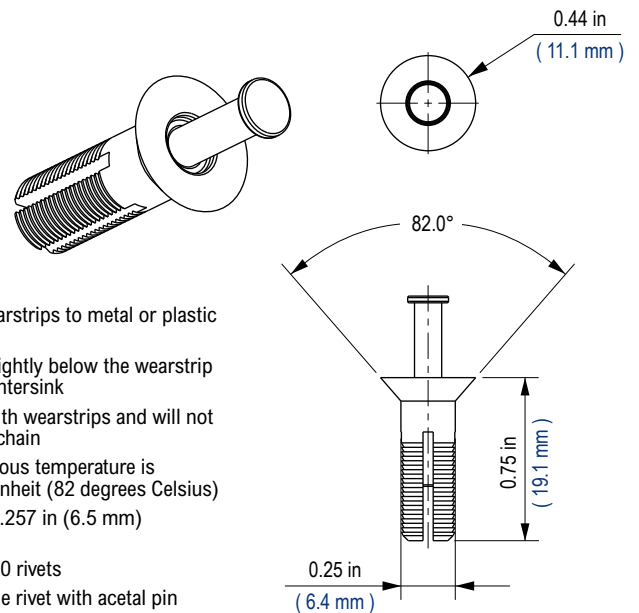


Part Number	Reference Description	Length	
		ft	m
10324430	RX-P2520NBC-20	20	6.10

- Material: Polyethylene UHMWPE
- 1/4 in x 2 in bar cover



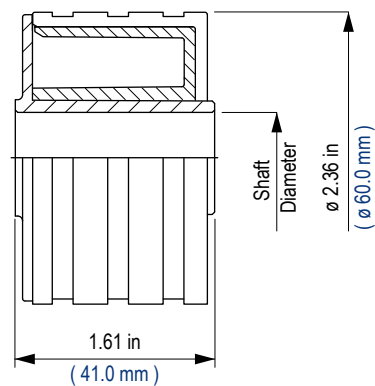
## Drive Rivet



Part Number	Reference Description
10379027	RX-750-10

- Used to attach wearstrips to metal or plastic conveyor frames
- Head should be slightly below the wearstrip surface using countersink
- Rivets will wear with wearstrips and will not cut into conveyor chain
- Maximum continuous temperature is 180 degrees Fahrenheit (82 degrees Celsius)
- Hole diameter is 0.257 in (6.5 mm) or F drill
- Sold in bags of 100 rivets
- Material: polyamide rivet with acetal pin

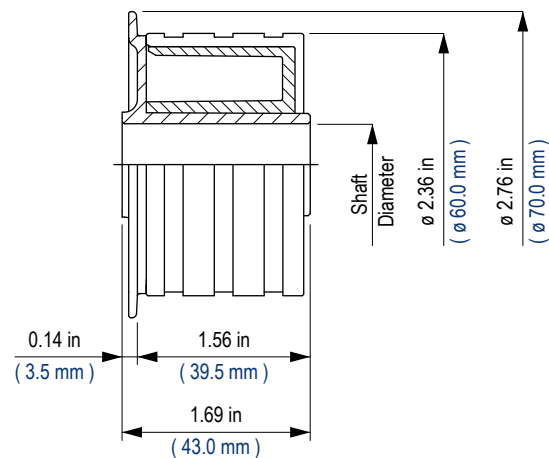
## 2.36in Dia Roller (With Rubber Surface)



Part Number	Reference Description	Shaft Diameter	Bore Size	
		in	in	mm
10130473	613-632472	1/2	0.52	13.2
10130471	613-615352	5/8	0.65	16.5
10130474	613-635142	3/4	0.77	19.6

- Material: Roller in acetal POM, surface in thermoplastic rubber, 70 shore hardness, hub in acetal for low-friction
- Characteristics: completely closed design
- Rubber surface for less noise even in high-speed conveyors
- Patent US6550609

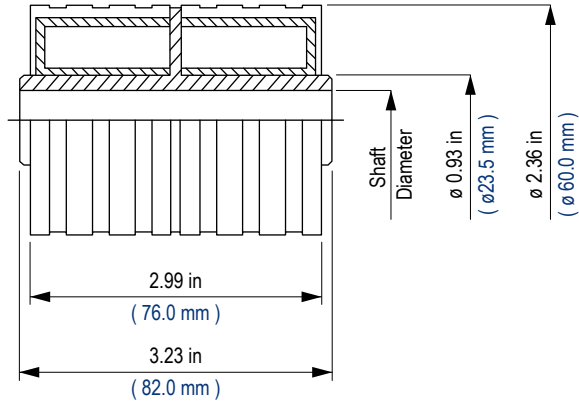
## 2.36in Dia Roller with Flange (With Rubber Surface)



Part Number	Reference Description	Shaft Diameter	Bore Size	
		in	in	mm
10131734	614-632482	1/2	0.52	13.2
10131708	614-615392	5/8	0.65	16.5
10131738	614-635152	3/4	0.77	19.6

- Material: Roller in acetal POM, surface in thermoplastic rubber, 70 shore hardness, hub in acetal for low-friction
- Characteristics: completely closed design
- Rubber surface for less noise even in high-speed conveyors
- Patent US6550609

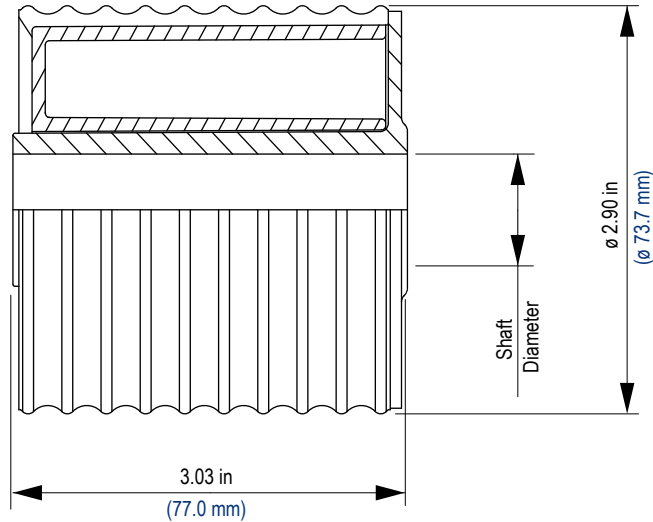
### 2.36in Double Roller (With Rubber Surface)



Part Number	Reference Description	Shaft Diameter	Bore Size	
		in	in	mm
10138062	657-656982	1/2	0.52	13.2
10138064	657-657002	5/8	0.65	16.5
10138061	657-656692	3/4	0.77	19.6

- Material: Roller in acetal POM, surface in thermoplastic rubber, 70 shore hardness, hub in acetal for low-friction
- Characteristics: completely closed design
- Rubber surface for less noise even in high-speed conveyors
- Patent: US6550609

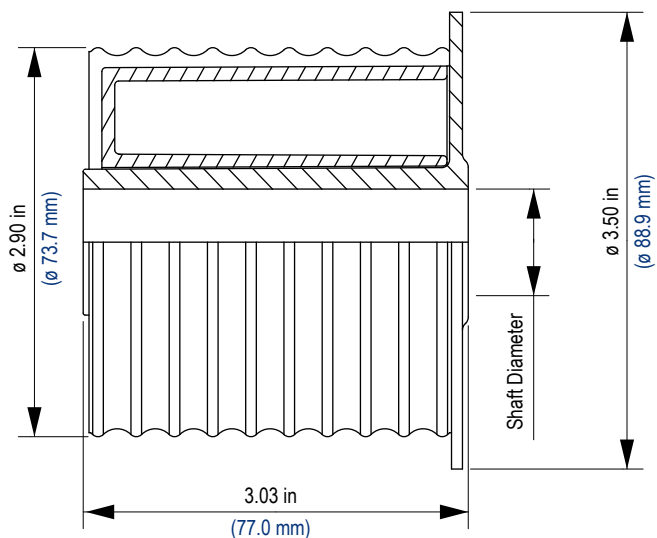
### 2.9in Dia Roller (With Rubber Surface)



Part Number	Reference Description	Hub Color	Shaft Diameter	Bore Size	
			in	in	mm
10148246	906-656721	Black	5/8	0.65	16.5
10148247	906-656731	Grey	3/4	0.77	19.6

- Material: Roller in acetal POM, surface in thermoplastic rubber, 60 shore hardness, hub in acetal for low-friction
- Characteristics: completely closed design
- Rubber surface for less noise even in high-speed conveyors
- Patent US6550609

## 2.9in Dia Roller with Flange (With Rubber Surface)



Part Number	Reference Description	Hub Color	Shaft Diameter		Bore Size	
			in	mm	in	mm
10148248	906-656881	Black	5/8	16.5	0.65	16.5
10148249	906-656891	Grey	3/4	19.6	0.77	19.6

- Material: Roller in acetal POM, surface in thermoplastic rubber, 60 shore hardness, hub in acetal for low-friction
- Characteristics: completely closed design
- Rubber surface for less noise even in high-speed conveyors
- Patent US6550609

## Tube Caps

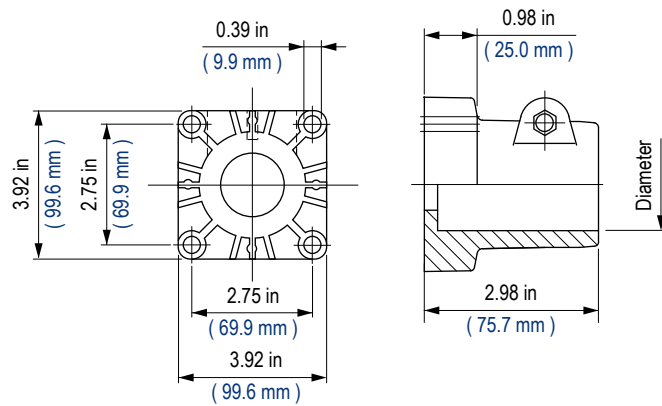


Part Number	Reference Description	Tube (Sq) x Wall
		in
10309488	RX-560-1.5-11	1.5in x 0.120in Square
10309504	RX-560-1.5-16	1.5in x 0.065in Square
10309484	RX-560-2.0-11	2in x 0.120in Square

- Material: ABS plastic
- Usage: Serves as a smooth plastic cap or cover for ends of square tubing.



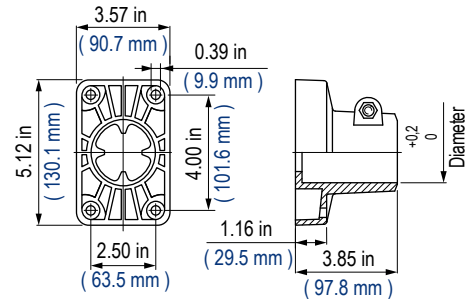
### Post Cap – Square



Part Number	Reference Description	Pipe Size	Tube Size
		in	in
10309447	RX-307-1.50	1-1/2	
10309508	RX-307-T2.0		2 (OD)

- Material: Reinforced polyamide (PA) with stainless steel hardware
- Maximum recommended tightening torque: 175 in-lbs (2 kg/m)

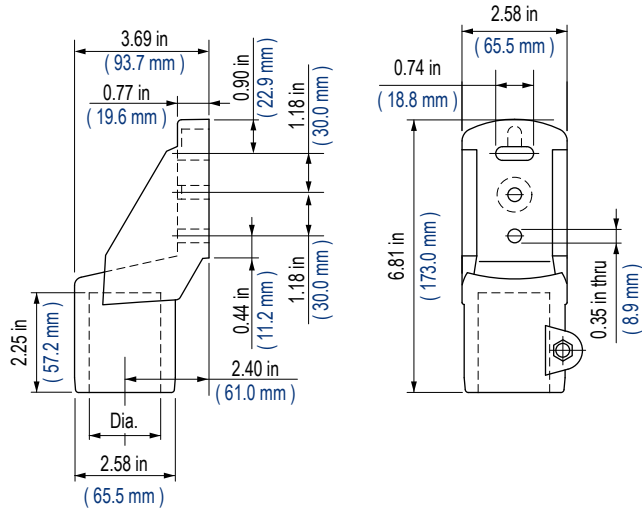
### Post Cap – Rectangle



Part Number	Reference Description	Pipe Size	Tube Size
		in	in
10309327	RX-308-1.50	1-1/2	
10309480	RX-308-T2.0		2 (OD)

- Material: Reinforced polyamide (PA) with stainless steel hardware
- Maximum recommended tightening torque: 175 in-lbs (2 kg/m)

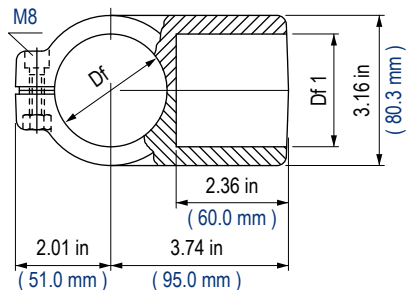
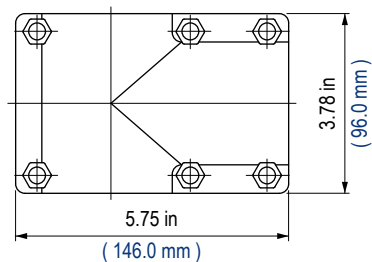
# Side Mount Post Cap



Part Number	Reference Description	Pipe Size	Tube Size
		in	in
10309853	RX-305-1.50	1-1/2	
10309057	RX-305-T2.0		2

- Material: Reinforced polyamide (PA) with stainless steel hardware
- Maximum recommended tightening torque: 175 in-lbs (2 kg/m)

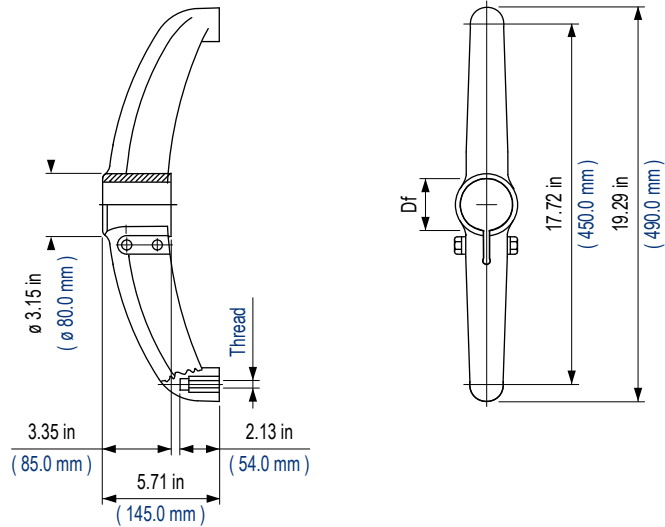
### Connecting Joints



Part Number	Reference Description	Pipe Size	Tube Size
		in	in
10106693	563-669512	2	2

- Material: Reinforced polyamide (PA) with stainless steel hardware
- Maximum recommended tightening torque: 130 in-lbs (1.5 kg/m)

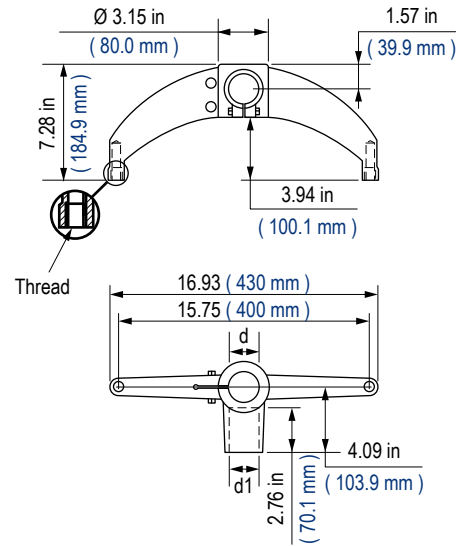
### Bipod Base



Part Number	Reference Description	Pipe Size	Tube Size	Thread	
		in	in	in	mm
10309082	RX-402-1.5-58	1-1/2		5/8-11	
10309062	RX-402-T2.0-58		2	5/8-11	
10135807	618-624312		2		M16

- Material: Support base in reinforced polyamide (PA), brass threaded inserts, stainless steel hardware
- Maximum recommended tightening torque: 310 in-lbs (3.6 kg/m)

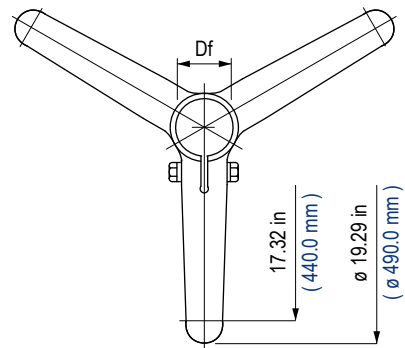
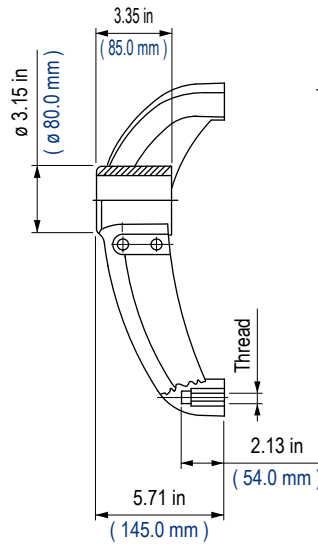
### Bipod Base with Cross Tie



Part Number	Reference Description	Pipe Size	Tube Size	Thread	
		in	in	in	mm
10309350	RX-403-1.5-58	1-1/2		5/8-11	
10309857	RX-403-T2.0-58		2	5/8-11	

- Material: Support base in reinforced polyamide (PA), brass threaded inserts, stainless steel hardware
- Maximum recommended tightening torque: 310 in-lbs (3.6 kg/m)

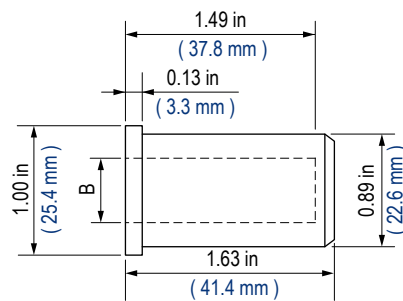
# Tripod Base



Part Number	Reference Description	Pipe Size	Tube Size	Thread	
		in	in	in	mm
10309493	RX-410-1.5-58	1-1/2	-	5/8-11	-

- Material: Support base in reinforced polyamide (PA), brass threaded inserts, stainless steel hardware
- Maximum recommended tightening torque: 310 in-lbs (3.6 kg/m)

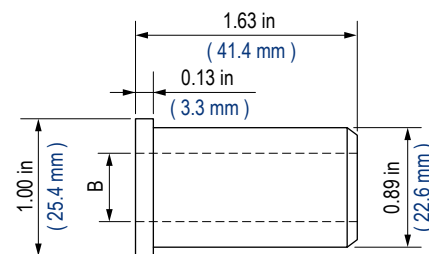
### Bearing Insert – Lubricated Nylon – Blind Bore



Part Number	Reference Description	Bore
		in
10309869	RX-NB-4	1/2
10309073	RX-NB-4.5	9/16
10309783	RX-NB-5	5/8

- Material: Lubricated nylon (PA)
- Usage: Use with ABS end caps
- Blind bore

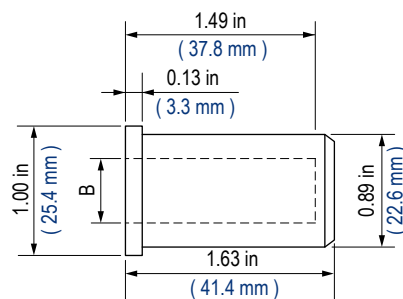
### Bearing Insert – Lubricated Nylon – Through Bore



Part Number	Reference Description	Bore
		in
10309718	RX-NT-4	1/2
10309585	RX-NT-4.5	9/16
10309476	RX-NT-5	5/8

- Material: Lubricated nylon (PA)
- Usage: Use with ABS end caps
- Through bore

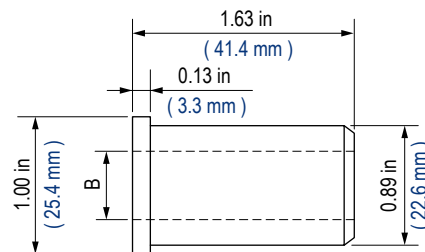
### Bearing Insert – Lubricated UHMWPE – Blind Bore



Part Number	Reference Description	Bore
		in
10309854	RX-SB-4	1/2
10309568	RX-SB-4.5	9/16
10309334	RX-SB-5	5/8

- Material: Lubricated UHMWPE
- Usage: Use with ABS end caps
- Blind bore

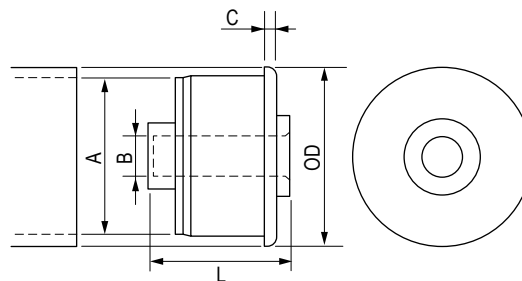
## Bearing Insert – Lubricated UHMWPE – Through Bore



Part Number	Reference Description	Bore
		in
10309212	RX-ST-4	1/2
10309654	RX-ST-4.5	9/16
10309149	RX-ST-5	5/8

- Material: Lubricated UHMWPE
- Usage: Use with ABS end caps
- Through bore

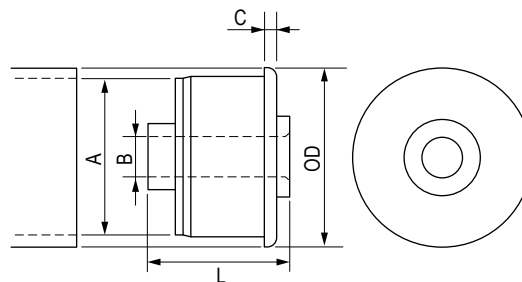
## ABS End Cap with Lubricated Nylon Bearing Insert – Blind Bore



Part Number	Reference Description	Roller OD	A-Tube ID	B-Bore Dia	C	L-Shaft Length	Tube Name
		in	in	in	in	in	
10309081	RX-NB4-R220	1.9	1.61	1/2	0.19	1.75	1-1/2in sch 40 pipe
10309874	RX-NB4-R221	1.9	1.5	1/2	0.16	1.75	1-1/2in sch 80 pipe
10309147	RX-NB4-R270	2-3/8	2.07	1/2	0.19	1.75	2in sch 40 pipe
10309001	RX-NB4-R271	2-3/8	1.94	1/2	0.16	1.75	2in sch 80 pipe
10309586	RX-NB4-R320	2-7/8	2.47	1/2	0.19	1.75	2-1/2in sch 40 pipe
10309790	RX-NB4.5-R220	1.9	1.61	9/16	0.19	1.75	1-1/2in sch 40 pipe
10309777	RX-NB4.5-R221	1.9	1.5	9/16	0.16	1.75	1-1/2in sch 80 pipe
10309607	RX-NB4.5-R270	2-3/8	2.07	9/16	0.19	1.75	2in sch 40 pipe
10309806	RX-NB4.5-R271	2-3/8	1.94	9/16	0.16	1.75	2in sch 80 pipe
10309872	RX-NB4.5-R320	2-7/8	2.47	9/16	0.19	1.75	2-1/2in sch 40 pipe
10309793	RX-NB5-R220	1.9	1.61	5/8	0.19	1.75	1-1/2in sch 40 pipe
10309056	RX-NB5-R221	1.9	1.5	5/8	0.16	1.75	1-1/2in sch 80 pipe
10309770	RX-NB5-R270	2-3/8	2.07	5/8	0.19	1.75	2in sch 40 pipe
10309516	RX-NB5-R271	2-3/8	1.94	5/8	0.16	1.75	2in sch 80 pipe
10309531	RX-NB5-R320	2-7/8	2.47	5/8	0.19	1.75	2-1/2in sch 40 pipe

- Material: End cap in ABS, insert in lubricated nylon alloy (PA)
- Nylon alloy insert minimizes swelling of the insert up to 0.0015in (approximately)
- Blind bore

# ABS End Cap with Lubricated Nylon Bearing Insert – Through Bore

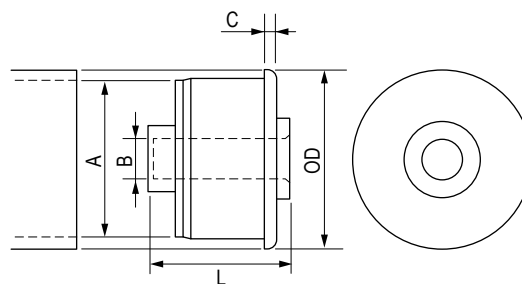


Part Number	Reference Description	Roller OD	A-Tube ID	B-Bore Dia	C	L-Shaft Length	Tube Name
		in	in	in	in	in	
10309500	RX-NT4-R220	1.9	1.61	1/2	0.19	1.75	1-1/2in sch 40 pipe
10309055	RX-NT4-R221	1.9	1.5	1/2	0.16	1.75	1-1/2in sch 80 pipe
10309539	RX-NT4-R270	2-3/8	2.07	1/2	0.19	1.75	2in sch 40 pipe
10309678	RX-NT4-R271	2-3/8	1.94	1/2	0.16	1.75	2in sch 80 pipe
10309682	RX-NT4-R320	2-7/8	2.47	1/2	0.19	1.75	2-1/2in sch 40 pipe
10309730	RX-NT4.5-R220	1.9	1.61	9/16	0.19	1.75	1-1/2in sch 40 pipe
10309256	RX-NT4.5-R221	1.9	1.5	9/16	0.16	1.75	1-1/2in sch 80 pipe
10309881	RX-NT4.5-R270	2-3/8	2.07	9/16	0.19	1.75	2in sch 40 pipe
10309330	RX-NT4.5-R271	2-3/8	1.94	9/16	0.16	1.75	2in sch 80 pipe
10309286	RX-NT4.5-R320	2-7/8	2.47	9/16	0.19	1.75	2-1/2in sch 40 pipe
10308989	RX-NT5-R220	1.9	1.61	5/8	0.19	1.75	1-1/2in sch 40 pipe
10309651	RX-NT5-R221	1.9	1.5	5/8	0.16	1.75	1-1/2in sch 80 pipe
10309705	RX-NT5-R270	2-3/8	2.07	5/8	0.19	1.75	2in sch 40 pipe
10309070	RX-NT5-R271	2-3/8	1.94	5/8	0.16	1.75	2in sch 80 pipe
10309398	RX-NT5-R320	2-7/8	2.47	5/8	0.19	1.75	2-1/2in sch 40 pipe

- Material: End cap in ABS, insert in lubricated nylon alloy (PA)
- Nylon alloy insert minimizes swelling of the insert up to 0.0015in (approximately)
- Through bore

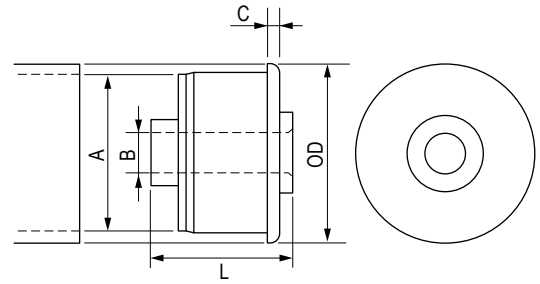


## ABS End Cap with Lubricated UHMWPE Bearing Insert – Blind Bore



Part Number	Reference Description	Roller OD	A-Tube ID	B-Bore Dia	C	L-Shaft Length	Tube Name
		in	in	in	in	in	
10309091	RX-SB4-R220	1.9	1.61	1/2	0.19	1.75	1-1/2in sch 40 pipe
10309811	RX-SB4-R221	1.9	1.5	1/2	0.16	1.75	1-1/2in sch 80 pipe
10309673	RX-SB4-R270	2-3/8	2.07	1/2	0.19	1.75	2in sch 40 pipe
10309188	RX-SB4-R271	2-3/8	1.94	1/2	0.16	1.75	2in sch 80 pipe
10309113	RX-SB4-R320	2-7/8	2.47	1/2	0.19	1.75	2-1/2in sch 40 pipe
10309432	RX-SB4.5-R220	1.9	1.61	9/16	0.19	1.75	1-1/2in sch 40 pipe
10309271	RX-SB4.5-R221	1.9	1.5	9/16	0.16	1.75	1-1/2in sch 80 pipe
10309243	RX-SB4.5-R270	2-3/8	2.07	9/16	0.19	1.75	2in sch 40 pipe
10309030	RX-SB4.5-R271	2-3/8	1.94	9/16	0.16	1.75	2in sch 80 pipe
10309191	RX-SB4.5-R3202	2-7/8	2.47	9/16	0.19	1.75	2-1/2in sch 40 pipe
10309620	RX-SB5-R220	1.9	1.61	5/8	0.19	1.75	1-1/2in sch 40 pipe
10309524	RX-SB5-R221	1.9	1.5	5/8	0.16	1.75	1-1/2in sch 80 pipe
10309157	RX-SB5-R270	2-3/8	2.07	5/8	0.19	1.75	2in sch 40 pipe
10309665	RX-SB5-R271	2-3/8	1.94	5/8	0.16	1.75	2in sch 80 pipe
10309581	RX-SB5-R320	2-7/8	2.47	5/8	0.19	1.75	2-1/2in sch 40 pipe

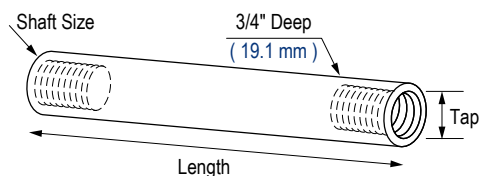
- Material: End cap in ABS, insert in lubricated UHMWPE
- Blind bore

**ABS End Cap with Lubricated UHMWPE Bearing Insert – Through Bore**


Part Number	Reference Description	Roller OD	A-Tube ID	B-Bore Dia	C	L-Shaft Length	Tube Name
		in	in	in	in	in	
10309699	RX-ST4-R220	1.9	1.61	1/2	0.19	1.75	1-1/2in sch 40 pipe
10309695	RX-ST4-R221	1.9	1.5	1/2	0.16	1.75	1-1/2in sch 80 pipe
10309310	RX-ST4-R270	2-3/8	2.07	1/2	0.19	1.75	2in sch 40 pipe
10309810	RX-ST4-R271	2-3/8	1.94	1/2	0.16	1.75	2in sch 80 pipe
10309354	RX-ST4-R320	2-7/8	2.47	1/2	0.19	1.75	2-1/2in sch 40 pipe
10309270	RX-ST4.5-R220	1.9	1.61	9/16	0.19	1.75	1-1/2in sch 40 pipe
10309098	RX-ST4.5-R221	1.9	1.5	9/16	0.16	1.75	1-1/2in sch 80 pipe
10309433	RX-ST4.5-R270	2-3/8	2.07	9/16	0.19	1.75	2in sch 40 pipe
10309250	RX-ST4.5-R271	2-3/8	1.94	9/16	0.16	1.75	2in sch 80 pipe
10309668	RX-ST4.5-R320	2-7/8	2.47	9/16	0.19	1.75	2-1/2in sch 40 pipe
10309292	RX-ST5-R220	1.9	1.61	5/8	0.19	1.75	1-1/2in sch 40 pipe
10309059	RX-ST5-R221	1.9	1.5	5/8	0.16	1.75	1-1/2in sch 80 pipe
10309106	RX-ST5-R270	2-3/8	2.07	5/8	0.19	1.75	2in sch 40 pipe
10309528	RX-ST5-R271	2-3/8	1.94	5/8	0.16	1.75	2in sch 80 pipe
10309166	RX-ST5-R320	2-7/8	2.47	5/8	0.19	1.75	2-1/2in sch 40 pipe

- Material: End cap in ABS, insert in lubricated UHMWPE
- Through bore

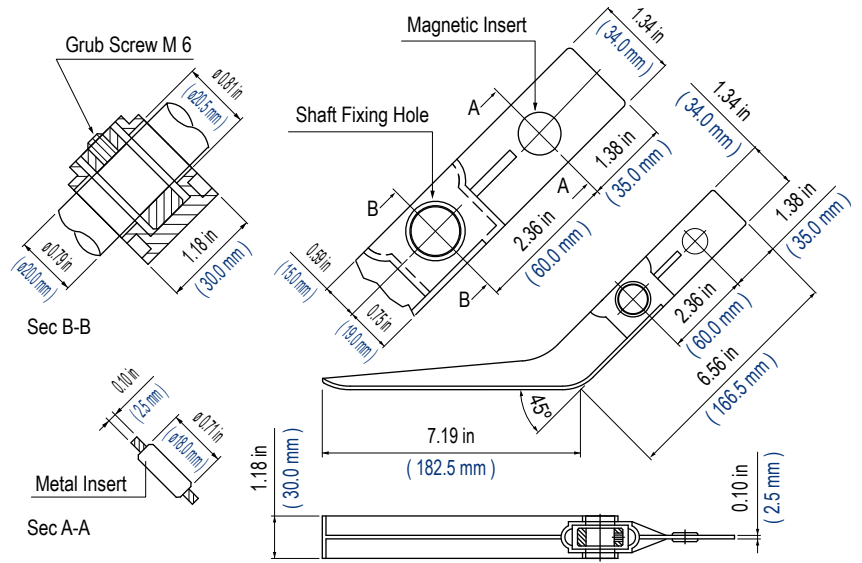
## Round Roller Shafts



Part Number	Reference Description	Shaft Size	Length		Tap
		in	in	mm	in
10309413	RX-VF-CR4.5-SS-0325-38	9/16	3.5	88.9	3/8-16
10309318	RX-VF-CR4.5-SS-0400-38	9/16	4.25	108.0	3/8-16
10309376	RX-VF-CR4.5-SS-0450-38	9/16	4.75	120.7	3/8-16
10309855	RX-VF-CR4.5-SS-0600-38	9/16	6.25	158.8	3/8-16
10309564	RX-VF-CR4.5-SS-0750-38	9/16	7.75	196.9	3/8-16
10308991	RX-VF-CR4-SS-0325-38	1/2	3.5	88.9	3/8-16
10309769	RX-VF-CR4-SS-0400-38	1/2	4.25	108.0	3/8-16
10309596	RX-VF-CR4-SS-0450-38	1/2	4.75	120.7	3/8-16
10309798	RX-VF-CR4-SS-0600-38	1/2	6.25	158.8	3/8-16
10309748	RX-VF-CR4-SS-0750-38	1/2	7.75	196.9	3/8-16
10309265	RX-VF-CR4-SS-0325-516	1/2	3.5	88.9	5/16-18
10309862	RX-VF-CR4-SS-0400-516	1/2	4.25	108.0	5/16-18
10309756	RX-VF-CR4-SS-0450-516	1/2	4.75	120.7	5/16-18
10309601	RX-VF-CR4-SS-0600-516	1/2	6.25	158.8	5/16-18
10309680	RX-VF-CR4-SS-0750-516	1/2	7.75	196.9	5/16-18
10309729	RX-VF-CR5-SS-0325-38	5/8	3.5	88.9	3/8-16
10309178	RX-VF-CR5-SS-0400-38	5/8	4.25	108.0	3/8-16
10309092	RX-VF-CR5-SS-0450-38	5/8	4.75	120.7	3/8-16
10309005	RX-VF-CR5-SS-0600-38	5/8	6.25	158.8	3/8-16
10309377	RX-VF-CR5-SS-0750-38	5/8	7.75	196.9	3/8-16
10309485	RX-VF-CR5-SS-0325-516	5/8	3.5	88.9	5/16-18
10309455	RX-VF-CR5-SS-0400-516	5/8	4.25	108.0	5/16-18
10309851	RX-VF-CR5-SS-0450-516	5/8	4.75	120.7	5/16-18
10309483	RX-VF-CR5-SS-0600-516	5/8	6.25	158.8	5/16-18
10309780	RX-VF-CR5-SS-0750-516	5/8	7.75	196.9	5/16-18

- Material: 303 stainless steel
- Usage: Designed for quick assembly of rollers and frame
- Female threads on both ends of shaft

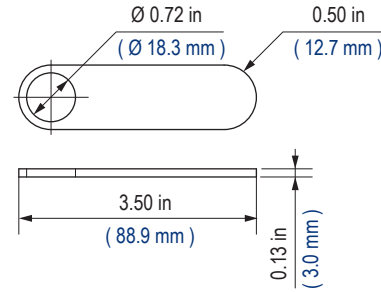
### Contact Lever



Part Number	Reference Description
10106419	518-642951N

– Material: lever in polypropylene (PP), insert (for magnetic sensor) in ferritic stainless steel, locking spacer (for shaft fixing) in zinc plated steel

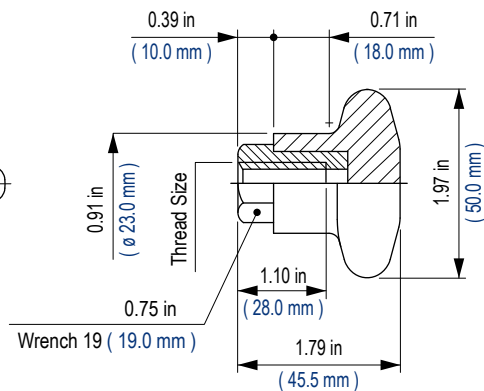
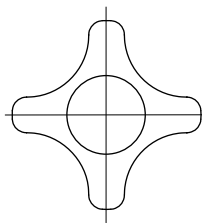
### Sensor Mount



Part Number	Reference Description	Length		Sensor	
		in	mm	in	mm
10309444	RX-612-35-12	3.50	88.9	0.47	12.0
10308995	RX-612-35-18	3.50	88.9	0.71	18.0
10309759	RX-612-50-12	5.00	127.0	0.47	12.0
10309866	RX-612-50-18	5.00	127.0	0.71	18.0

– Material: Stainless steel  
– Usage: Positioning of sensors and reflectors

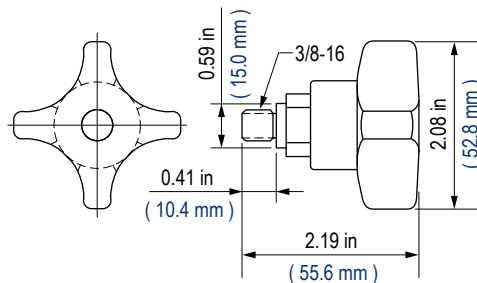
### Knob – Female – 182



Part Number	Reference Description	Material	Thread
			mm
10084557	182-54911	PA	M10

– Material: Knob in reinforced polyamide (PA), threaded insert in nickel plated brass

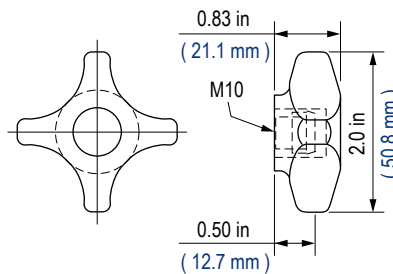
### Knob – Male – 280



Part Number	Reference Description	Material	Thread
			in
10309227	RX-280-38M	PA	3/8-16

– Material: Knob in reinforced polyamide (PA), threaded insert in nickel plated brass

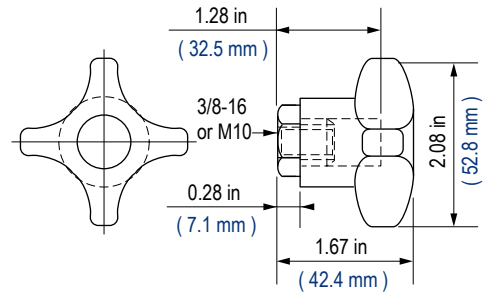
### Knob – Female – 281



Part Number	Reference Description	Material	Thread
			mm
10309584	RX-281-M10F	PA	M10

– Material: Knob in reinforced polyamide (PA), threaded insert in nickel plated brass

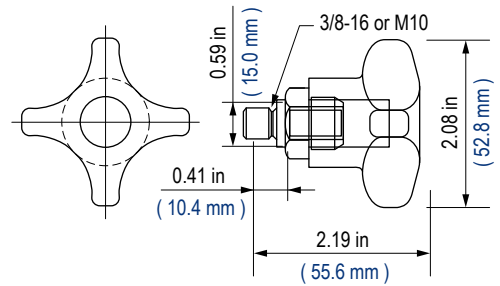
### Knob – Female – 282



Part Number	Reference Description	Material	Thread
			mm
10309653	RX-282-M10F	PA	M10
10309120	RX-280PP-M10F	PP	M10

– Material: Knob in reinforced polyamide (PA), threaded insert in nickel plated brass

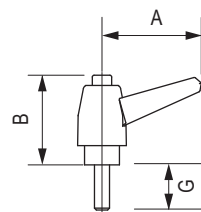
### Knob – Male – 282



Part Number	Reference Description	Material	Thread
			in
10309148	RX-282-38M	PA	3/8-16

– Material: Knob in reinforced polyamide (PA), threaded insert in nickel plated brass

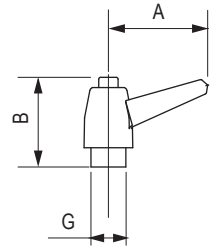
## Ratchet Handles – Male – Imperial



	Part Number		Reference Description		Thread		A		B		G	
	Black	Orange	Black	Orange	Material	Size	in	mm	in	mm	in	mm
RH-10	10309343		RX-RH-10-BK-MP1024-20		ZN	10-24	1.63	41.4	1.21	30.7	0.79	20.1
	10308973		RX-RH-10-BK-MP1032-15		ZN	10-32	1.63	41.4	1.21	30.7	0.59	15.0
	10309567		RX-RH-10-BK-MP1032-20		ZN	10-32	1.63	41.4	1.21	30.7	0.79	20.1
	10309329	10309559	RX-RH-10-BK-MP1420-20	RX-RH-10-OR-MP1420-20	ZN	1/4-20	1.63	41.4	1.21	30.7	0.79	20.1
	10309845		RX-RH-10-BK-MP1420-25		ZN	1/4-20	1.63	41.4	1.21	30.7	0.98	24.9
	10309396		RX-RH-10-BK-MS1420-20		SS	1/4-20	1.63	41.4	1.21	30.7	0.79	20.1
RH-20	10308975	10309720	RX-RH-10-BK-MS1420-25	RX-RH-10-OR-MS1420-25	SS	1/4-20	1.63	41.4	1.21	30.7	0.98	24.9
	10309477		RX-RH-20-BK-MP51618-15		ZN	5/16-18	2.16	54.9	1.39	35.3	0.59	15.0
	10309738	10308970	RX-RH-20-BK-MP51618-20	RX-RH-20-OR-MP51618-20	ZN	5/16-18	2.16	54.9	1.39	35.3	0.79	20.1
	10309311	10309360	RX-RH-20-BK-MP51618-30	RX-RH-20-OR-MP51618-30	ZN	5/16-18	2.16	54.9	1.39	35.3	1.18	30.0
	10309338	10309364	RX-RH-20-BK-MP51618-40	RX-RH-20-OR-MP51618-40	ZN	5/16-18	2.16	54.9	1.39	35.3	1.57	39.9
	10309087	10309541	RX-RH-20-BK-MP51618-50	RX-RH-20-OR-MP51618-50	ZN	5/16-18	2.16	54.9	1.39	35.3	1.97	50.0
	10309763	10308977	RX-RH-20-BK-MS51618-15	RX-RH-20-OR-MS51618-15	SS	5/16-18	2.16	54.9	1.39	35.3	0.59	15.0
	10309688	10309051	RX-RH-20-BK-MS51618-20	RX-RH-20-OR-MS51618-20	SS	5/16-18	2.16	54.9	1.39	35.3	0.79	20.1
	10309209	10309245	RX-RH-20-BK-MS51618-30	RX-RH-20-OR-MS51618-30	SS	5/16-18	2.16	54.9	1.39	35.3	1.18	30.0
	10309249	10309289	RX-RH-20-BK-MS51618-40	RX-RH-20-OR-MS51618-40	SS	5/16-18	2.16	54.9	1.39	35.3	1.57	39.9
	10309093		RX-RH-20-BK-MS51618-50		SS	5/16-18	2.16	54.9	1.39	35.3	1.97	50.0
	RH-30	10309461	10309190	RX-RH-30-BK-MP3816-20	RX-RH-30-OR-MS3816-20	ZN	3/8-16	3.13	79.5	1.82	46.2	0.79
10309038		10309622	RX-RH-30-BK-MP3816-30	RX-RH-30-OR-MP3816-30	ZN	3/8-16	3.13	79.5	1.82	46.2	1.18	30.0
10309041		10309646	RX-RH-30-BK-MP3816-40	RX-RH-30-OR-MP3816-40	ZN	3/8-16	3.13	79.5	1.82	46.2	1.57	39.9
10309734		10309779	RX-RH-30-BK-MP3816-50	RX-RH-30-OR-MP3816-50	ZN	3/8-16	3.13	79.5	1.82	46.2	1.97	50.0
10308988		10309238	RX-RH-30-BK-MS3816-30	RX-RH-30-OR-MS3816-30	SS	3/8-16	3.13	79.5	1.82	46.2	1.18	30.0
10309248		10309295	RX-RH-30-BK-MS3816-40	RX-RH-30-OR-MS3816-40	SS	3/8-16	3.13	79.5	1.82	46.2	1.57	39.9
10309464		10309418	RX-RH-30-BK-MS3816-50	RX-RH-30-OR-MS3816-50	SS	3/8-16	3.13	79.5	1.82	46.2	1.97	50.0
10309241		10309498	RX-RH-30-BK-MP1213-30	RX-RH-30-OR-MP1213-30	ZN	1/2-13	3.13	79.5	1.82	46.2	1.18	30.0
10309840			RX-RH-30-BK-MP1213-40		ZN	1/2-13	3.13	79.5	1.82	46.2	1.57	39.9
10309604			RX-RH-30-BK-MP1213-50		ZN	1/2-13	3.13	79.5	1.82	46.2	1.97	50.0
RH-40	10309414		RX-RH-40-BK-MP1213-30		ZN	1/2-13	3.94	100.1	2.33	59.2	1.18	30.0
	10309322		RX-RH-40-BK-MP1213-40		ZN	1/2-13	3.94	100.1	2.33	59.2	1.57	39.9
	10309027		RX-RH-40-BK-MP1213-50		ZN	1/2-13	3.94	100.1	2.33	59.2	1.97	50.0
303	10098151		303-60932	SS	3/8-16	3.13	79.5	1.89	48.0	0.79	20.1	

- Material: Reinforced polyamide (PA)
- Usage: Use where frequent adjustments are required
- Can still be tightened when handle movement is restricted
- Available in black and orange
- No tools required.

## Ratchet Handles – Female – Imperial

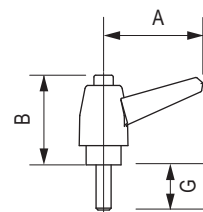


	Part Number		Reference Description		Thread		A		B		G	
	Black	Orange	Black	Orange	Material	Size	in	mm	in	mm	in	mm
RH-10	10309611		RX-RH-10-BK-FP1032		ZN	10-32	1.63	41.4	1.21	30.7	0.42	10.7
	10309009		RX-RH-10-BK-FP1420		ZN	1/4-20	1.63	41.4	1.21	30.7	0.42	10.7
	10309820	10309391	RX-RH-10-BK-FS1420	RX-RH-10-OR-FS1420	SS	1/4-20	1.63	41.4	1.21	30.7	0.42	10.7
RH-20	10309022		RX-RH-20-BK-FP1420		ZN	1/4-20	2.16	54.9	1.39	35.3	0.53	13.5
	10309634	10309837	RX-RH-20-BK-FP51618	RX-RH-20-OR-FP51618	ZN	5/16-18	2.16	54.9	1.39	35.3	0.53	13.5
	10309549		RX-RH-20-BK-FS51618		SS	5/16-18	2.16	54.9	1.39	35.3	0.53	13.5
RH-30	10309374	10308981	RX-RH-30-BK-FP1213	RX-RH-30-OR-FP1213	ZN	1/2-13	3.13	79.5	1.82	46.2	0.72	18.3
	10309544	10309115	RX-RH-30-BK-FP3816	RX-RH-30-OR-FP3816	ZN	3/8-16	3.13	79.5	1.82	46.2	0.72	18.3
	10309515	10309473	RX-RH-30-BK-FP51618	RX-RH-30-OR-FP51618	ZN	5/16-18	3.13	79.5	1.82	46.2	0.72	18.3
	10309140	10309645	RX-RH-30-BK-FS1213	RX-RH-30-OR-FS1213	SS	1/2-13	3.13	79.5	1.82	46.2	0.72	18.3
	10309536	10309462	RX-RH-30-BK-FS3816	RX-RH-30-OR-FS3816	SS	3/8-16	3.13	79.5	1.82	46.2	0.72	18.3
RH-40	10309704		RX-RH-40-BK-FP1213		ZN	1/2-13	3.94	100.1	2.33	59.2	0.98	24.9
303	10098144		302-60852		ZN	5/16-18	2.16	54.9	1.46	37.1	0.59	15.0
	10098146		302-60952		ZN	3/8-16	3.13	79.5	1.89	48.0	0.79	20.1

- Material: Reinforced polyamide (PA)
- Usage: Use where frequent adjustments are required
- Can still be tightened when handle movement is restricted
- Available in black and orange
- No tools required.



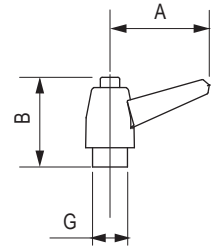
## Ratchet Handles – Male – Metric



	Part Number		Reference Description		Thread		A		B		G	
	Black	Orange	Black	Orange	Material	Size	in	mm	in	mm	in	mm
RH-10	10309283		RX-RH-10-BK-MPM5-15		ZN	M5	1.63	41.4	1.21	30.7	0.59	15.0
	10309225		RX-RH-10-BK-MPM5-20		ZN	M5	1.63	41.4	1.21	30.7	0.79	20.1
	10309795	10309546	RX-RH-10-BK-MPM6-15	RX-RH-10-OR-MPM6-15	ZN	M6	1.63	41.4	1.21	30.7	0.59	15.0
	10309714		RX-RH-10-BK-MPM6-20		ZN	M6	1.63	41.4	1.21	30.7	0.79	20.1
	10309612		RX-RH-10-BK-MPM6-25		ZN	M6	1.63	41.4	1.21	30.7	0.98	24.9
	10309453		RX-RH-10-BK-MPM6-30		ZN	M6	1.63	41.4	1.21	30.7	1.18	30.0
	10309565		RX-RH-10-BK-MSM6-15		SS	M6	1.63	41.4	1.21	30.7	0.59	15.0
	10309231		RX-RH-10-BK-MSM6-20		SS	M6	1.63	41.4	1.21	30.7	0.79	20.1
	10309640		RX-RH-10-BK-MSM6-25		SS	M6	1.63	41.4	1.21	30.7	0.98	24.9
	10309340	10309139	RX-RH-10-BK-MSM6-30	RX-RH-10-OR-MSM6-30	SS	M6	1.63	41.4	1.21	30.7	1.18	30.0
	10309670		RX-RH-20-BK-MPM8-15		ZN	M8	2.16	54.9	1.39	35.3	0.59	15.0
RH-20	10309506	10309102	RX-RH-20-BK-MPM8-20	RX-RH-20-OR-MPM8-20	ZN	M8	2.16	54.9	1.39	35.3	0.79	20.1
	10309201	10309215	RX-RH-20-BK-MPM8-30	RX-RH-20-OR-MPM8-30	ZN	M8	2.16	54.9	1.39	35.3	1.18	30.0
	10309219	10308976	RX-RH-20-BK-MPM8-40	RX-RH-20-OR-MPM8-40	ZN	M8	2.16	54.9	1.39	35.3	1.57	39.9
	10309716		RX-RH-20-BK-MPM8-50		ZN	M8	2.16	54.9	1.39	35.3	1.97	50.0
	10309291		RX-RH-20-BK-MSM8-15		SS	M8	2.16	54.9	1.39	35.3	0.59	15.0
	10309186		RX-RH-20-BK-MSM8-20		SS	M8	2.16	54.9	1.39	35.3	0.79	20.1
	10309871	10309657	RX-RH-20-BK-MSM8-30	RX-RH-20-OR-MSM8-30	SS	M8	2.16	54.9	1.39	35.3	1.18	30.0
	10309490		RX-RH-20-BK-MSM8-40		SS	M8	2.16	54.9	1.39	35.3	1.57	39.9
	10309457		RX-RH-20-BK-MSM8-50		SS	M8	2.16	54.9	1.39	35.3	1.97	50.0
RH-30	10309046		RX-RH-30-BK-MPM10-20		ZN	M10	3.13	79.5	1.82	46.2	0.79	20.1
	10309016		RX-RH-30-BK-MPM10-30		ZN	M10	3.13	79.5	1.82	46.2	1.18	30.0
	10309450		RX-RH-30-BK-MPM10-40		ZN	M10	3.13	79.5	1.82	46.2	1.57	39.9
	10308987		RX-RH-30-BK-MPM10-50		ZN	M10	3.13	79.5	1.82	46.2	1.97	50.0
	10309472		RX-RH-30-BK-MPM12-20		ZN	M12	3.13	79.5	1.82	46.2	0.79	20.1
	10308998		RX-RH-30-BK-MPM12-30		ZN	M12	3.13	79.5	1.82	46.2	1.18	30.0
	10309305		RX-RH-30-BK-MPM12-40		ZN	M12	3.13	79.5	1.82	46.2	1.57	39.9
	10309282		RX-RH-30-BK-MPM12-50		ZN	M12	3.13	79.5	1.82	46.2	1.97	50.0
	10309083		RX-RH-30-BK-MPM12-60		ZN	M12	3.13	79.5	1.82	46.2	2.36	59.9
	10309762		RX-RH-30-BK-MSM10-20		SS	M10	3.13	79.5	1.82	46.2	0.79	20.1
	10309841	10309314	RX-RH-30-BK-MSM10-30	RX-RH-30-OR-MSM10-30	SS	M10	3.13	79.5	1.82	46.2	1.18	30.0
	10309631		RX-RH-30-BK-MSM10-40		SS	M10	3.13	79.5	1.82	46.2	1.57	39.9
			10309629	RX-RH-30-OR-MSM10-50	SS	M10	3.13	79.5	1.82	46.2	1.97	50.0
	10309456		RX-RH-30-BK-MSM12-30		SS	M12	3.13	79.5	1.82	46.2	1.18	30.0
	10309063		RX-RH-30-BK-MSM12-40		SS	M12	3.13	79.5	1.82	46.2	1.57	39.9
10309008	10309540	RX-RH-30-BK-MSM12-50	RX-RH-30-OR-MSM12-50	SS	M12	3.13	79.5	1.82	46.2	1.97	50.0	

- Material: Reinforced polyamide (PA)
- Usage: Use where frequent adjustments are required
- Can still be tightened when handle movement is restricted
- Available in black and orange
- No tools required.

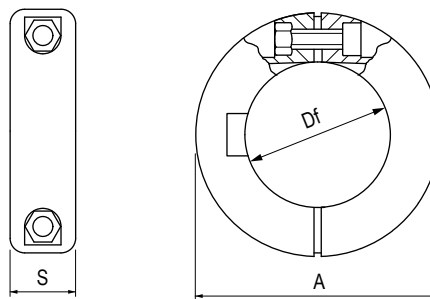
## Ratchet Handles – Female – Metric



	Part Number		Reference Description		Thread		A		B		G	
	Black	Orange	Black	Orange	Material	Size	in	mm	in	mm	in	mm
RH-10	10309352		RX-RH-10-BK-FPM5		ZN	M5	1.63	41.4	1.21	30.7	0.42	10.7
	10309181		RX-RH-10-BK-FPM6		ZN	M6	1.63	41.4	1.21	30.7	0.42	10.7
	10309124	10309203	RX-RH-10-BK-FSM5	RX-RH-10-OR-FSM5	SS	M5	1.63	41.4	1.21	30.7	0.42	10.7
	10309774		RX-RH-10-BK-FSM6		SS	M6	1.63	41.4	1.21	30.7	0.42	10.7
RH-20	10309337		RX-RH-20-BK-FPM6		ZN	M6	2.16	54.9	1.39	35.3	0.53	13.5
	10309097		RX-RH-20-BK-FPM8		ZN	M8	2.16	54.9	1.39	35.3	0.53	13.5
	10309403	10309153	RX-RH-20-BK-FSM6	RX-RH-20-OR-FSM6	SS	M6	2.16	54.9	1.39	35.3	0.53	13.5
	10309486	10309019	RX-RH-20-BK-FSM8	RX-RH-20-OR-FSM8	SS	M8	2.16	54.9	1.39	35.3	0.53	13.5
RH-30	10309395		RX-RH-30-BK-FPM10		ZN	M10	3.13	79.5	1.82	46.2	0.72	18.3
	10309636		RX-RH-30-BK-FPM12		ZN	M12	3.13	79.5	1.82	46.2	0.72	18.3
	10309010		RX-RH-30-BK-FPM8		ZN	M8	3.13	79.5	1.82	46.2	0.72	18.3
	10309173	10309587	RX-RH-30-BK-FSM10	RX-RH-30-OR-FSM10	SS	M10	3.13	79.5	1.82	46.2	0.72	18.3
	10309405		RX-RH-30-BK-FSM8		SS	M8	3.13	79.5	1.82	46.2	0.72	18.3

- Material: Reinforced polyamide (PA)
- Usage: Use where frequent adjustments are required
- Can still be tightened when handle movement is restricted
- Available in black and orange
- No tools required.

## Split Shaft Collars – Round Bore

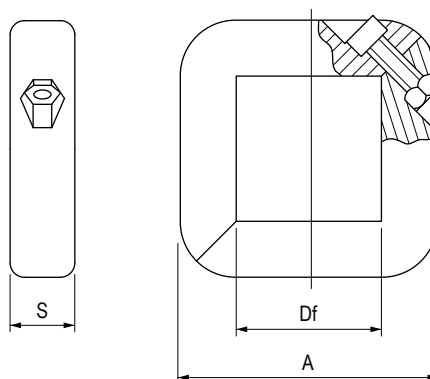


Part Number	Reference Description	Keyway	Bore Dia - Df		Diameter - A		Overall Width - S	
			in	mm	in	mm	in	mm
10129495	612-655072	Without Keyway	1/2	–	1.18	30.0	0.46	11.7
10129496	612-655092		5/8	–	1.38	35.1	0.46	11.7
10129497	612-655102		3/4	–	1.57	39.9	0.55	14.0
10129490	612-608463		1-1/4	–	1.97	50.0	0.63	16.0
10129491	612-611283		1-1/2	–	2.50	63.5	0.71	18.0
10129501	612-686232		–	40.0	2.50	63.5	0.71	18.0
10129498	612-655112	With Keyway	1	–	1.77	45.0	0.55	14.0
10129499	612-655122		1-1/4	–	1.97	50.0	0.63	16.0
10129489	612-605043		1-7/16	–	2.50	63.5	0.71	18.0
10129500	612-655132		1-1/2	–	2.50	63.5	0.71	18.0

– Material: Collar in reinforced polyamide (PA), stainless steel hardware

– Maximum recommended tightening torque: 26 in-lbs (0.3 kg/m)

## Split Shaft Collars – Square Bore

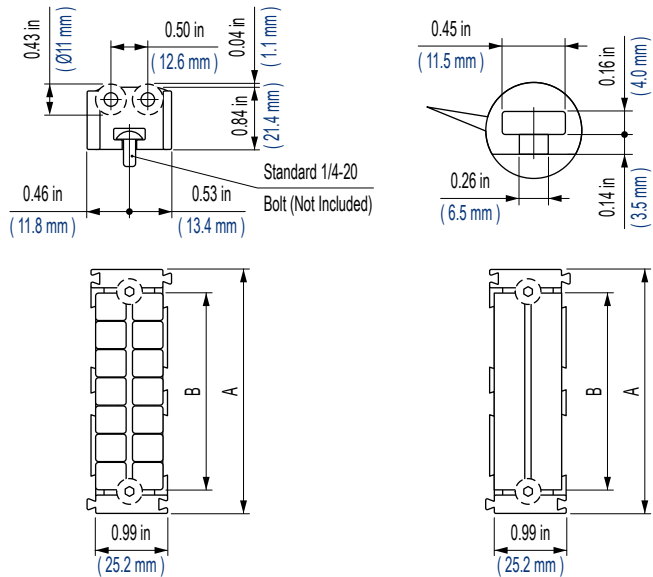


Part Number	Reference Description	Keyway	Bore Dia - Df		Diameter - A		Overall Width - S	
			in	mm	in	mm	in	mm
10129503	612-692942	Without Keyway	1-1/2	–	2.83	71.9	0.71	18.0
10129505	612-692972		2-1/2	–	3.74	95.0	0.71	18.0

– Material: Collar in reinforced polyamide (PA), stainless steel hardware

– Maximum recommended tightening torque: 26 in-lbs (0.3 kg/m)

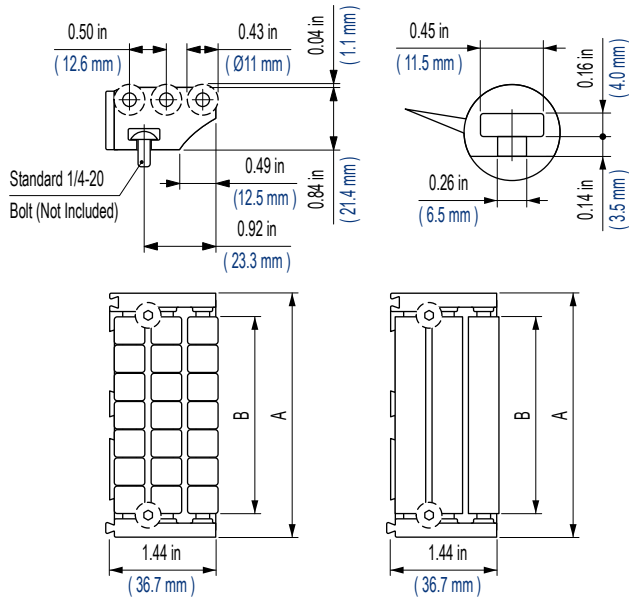
### Center Transfer Module



Roller Type	Hardware	A		B		Part Number	Reference Description
		in	mm	in	mm		
Multiple Small Roller	-	3.35	85.1	2.66	67.6	10107056	568-605912
	-	4.53	115.1	3.82	97.0	10107059	568-687402
Single Roller	-	3.35	85.1	2.66	67.6	10107055	568-603402
	-	4.53	115.1	3.82	97.0	10107060	568-699022

- Material: Frame in Rexnord HP™ acetal (POM)
- Multiple roller version uses rollers in Rexnord HP acetal (POM) material
- Single roller version uses rollers in polyethylene (PE)
- Roller shafts are stainless steel
- Patent: US6164435

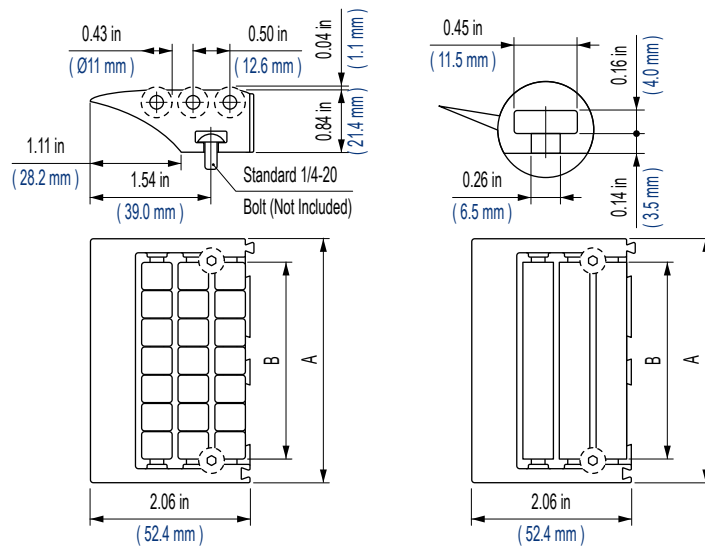
### End Transfer Module (without Lip)



Roller Type	Hardware	A		B		Part Number	Reference Description
		in	mm	in	mm		
Multiple Small Roller	-	3.35	85.1	2.66	67.6	10107153	569-605922
	-	4.53	115.1	3.82	97.0	10107155	569-687392
Single Roller	-	3.35	85.1	2.66	67.6	10107152	569-603412
	-	4.53	115.1	3.82	97.0	10107156	569-699012

- Material: Frame in Rexnord HP acetal (POM)
- Multiple roller version uses rollers in Rexnord HP acetal (POM) material
- Single roller version uses rollers in polyethylene (PE)
- Roller shafts are stainless steel
- Patent: US6164435

## End Transfer Module with Lip (3 Axle)

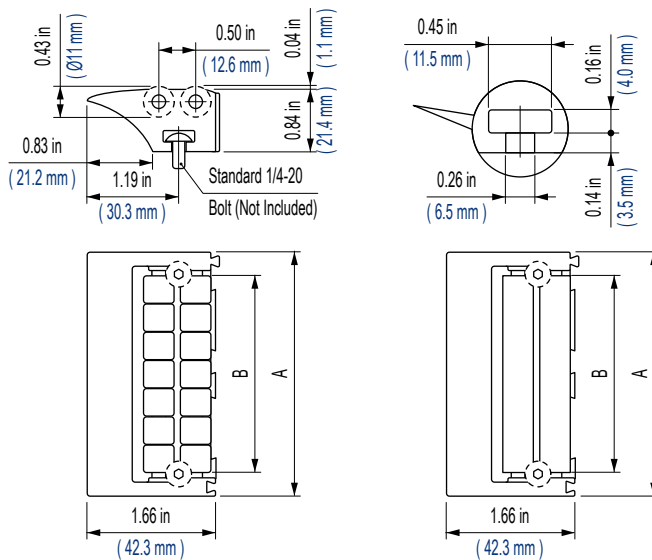


B

Roller Type	Hardware	A		B		Part Number	Reference Description
		in	mm	in	mm		
Multiple Small Roller	–	3.35	85.1	2.66	67.6	10106952	567-688792
	M5x13mm	3.35	85.1	2.66	67.6	10106954	567-688812
	–	4.53	115.1	3.82	97.0	10106951	567-687382
Single Roller	–	3.35	85.1	2.66	67.6	10106955	567-688822
	–	4.53	115.1	3.82	97.0	10106956	567-699002

- Material: Frame in Rexnord HP acetal (POM)
- Multiple roller version uses rollers in Rexnord HP acetal (POM) material
- Single roller version uses rollers in polyethylene (PE)
- Roller shafts are stainless steel
- Patent: US6164435

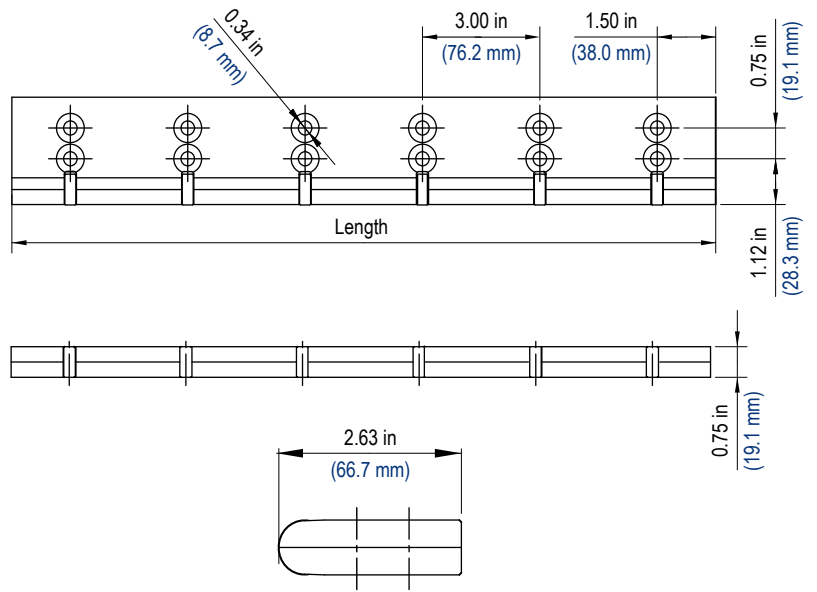
## End Transfer Module with Lip (2 Axle)



Roller Type	Hardware	A		B		Part Number	Reference Description
		in	mm	in	mm		
Multiple Small Roller	–	3.35	85.1	2.66	67.6	10138178	672-687412
	–	4.53	115.1	3.82	97.0	10138180	672-687432
Single Roller	–	3.35	85.1	2.66	67.6	10138181	672-699032

- Material: Frame in Rexnord HP acetal (POM)
- Multiple roller version uses rollers in Rexnord HP acetal (POM) material
- Single roller version uses rollers in polyethylene (PE)
- Roller shafts are stainless steel
- Patent: US6164435

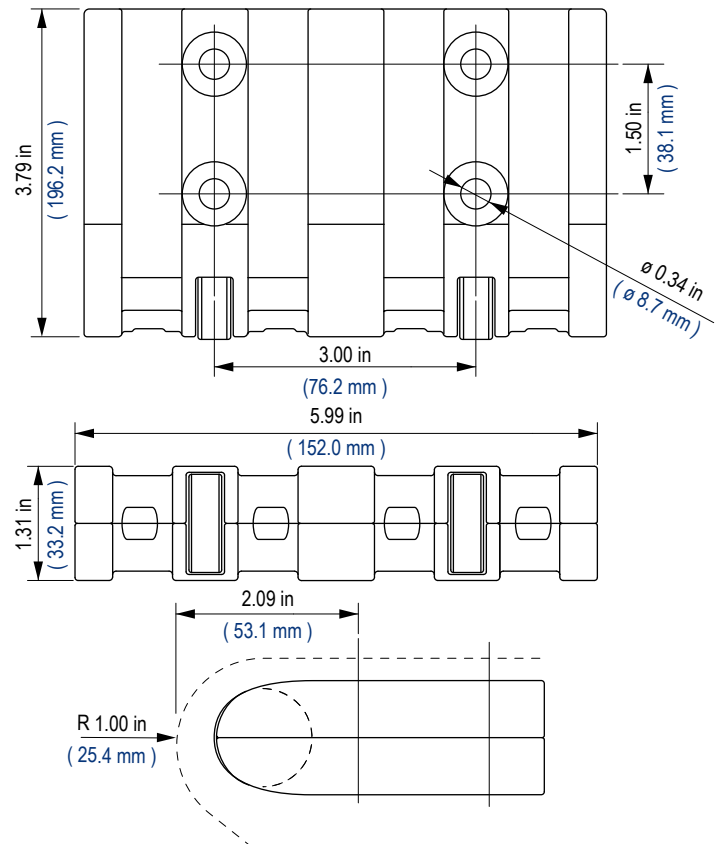
### Dynamic Nose-Over Bar For 1500 Series Chains



Overall Length		Part Number	Reference Description
in	mm		
6.00	152.4	10148221	905-656421
18.00	457.2	10148213	905-656231
24.00	609.6	10148214	905-656241

- Material: Nose-over bar in UHMWPE. Steel bearings
- Usage: For 1505 and 1506 MatTop® chains

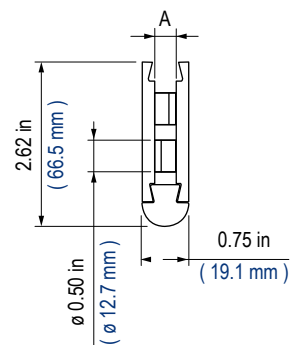
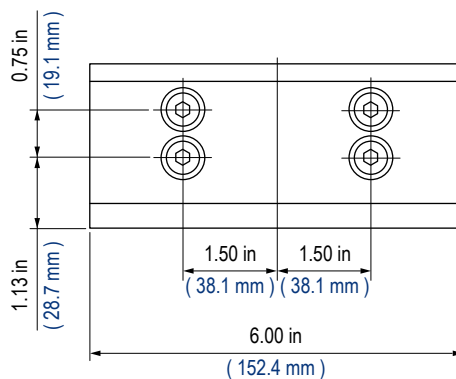
### Dynamic Nose-Over Bar For 8500 Series Chains



Overall Length		Part Number
in	mm	
6.00	152.4	10193110

- Material: Nose-over bar in polyamide (PA). Steel bearings
- Usage: For 8503, 8505 and 8507 MatTop® chains

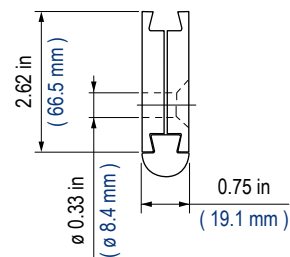
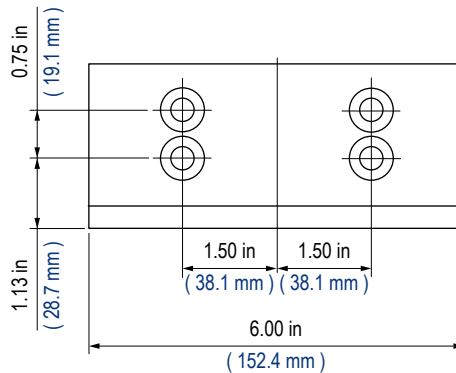
## Modular Nose-Over Bar Low Profile



Bolt Size		A		Part Number	Reference Description
in	mm	in	mm		
1/4-20	–	0.25	–	10148212	905-655731
–	M6	–	8.0	10148211	905-655721

– Material: Clamp in polyamide (PA), sliding profile in Nylatron®, steel hardware

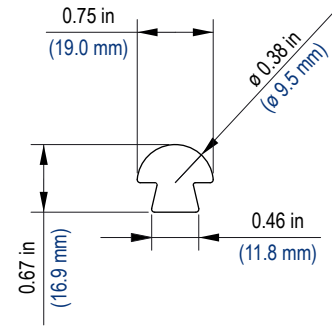
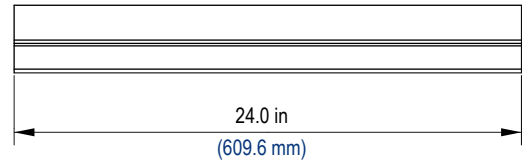
## Modular Nose-Over Bar Standard Profile



Part Number	Reference Description
10148210	905-655711

– Material: Clamp in polyamide (PA), sliding profile in Nylatron®, steel hardware

## Modular Nose-Over Bar Replacement Profile

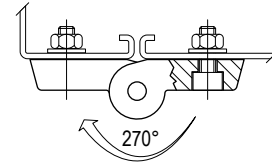
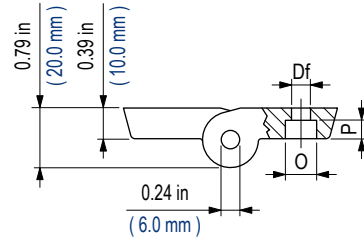
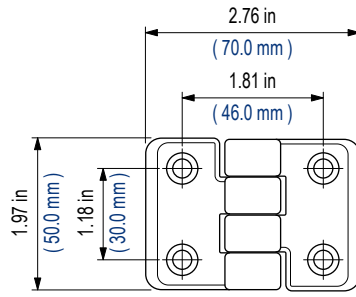


Overall Length		Part Number	Reference Description
in	mm		
24.00	609.6	10030138	0-656061

- Material: Profile in Nylatron®
- Usage: Replacement sliding element for standard and low profile nose-over bars



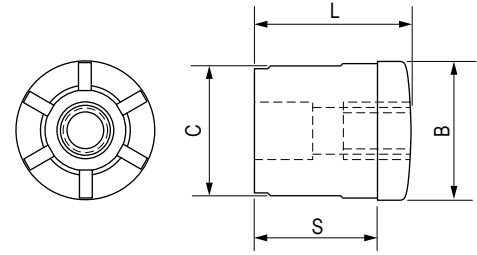
# Hinge



Df		O		P		Part Number	Reference Number
in	mm	in	mm	in	mm		
0.26	6.6	0.41	10.4	0.24	6.1	10100712	337-67023N

- Material: Hinge in reinforced polyamide (PA), pin ferritic stainless steel
- Maximum recommended tightening torque: 43 in-lbs (0.5 kg/m)

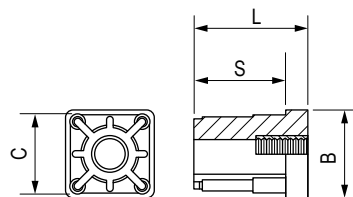
## Tube End – Round



Part Number	Reference Description	Thread Size	B		C		L	S	Tube Size	Static Load	
			in	mm	in	mm				lb	kg
10309085	RX-554-B38	3/8-16	2.00	50.8	1.76	44.7	2.00	1.570		1750	793.79
10309812	RX-554-B12	1/2-13	2.00	50.8	1.76	44.7	2.00	1.570		1750	793.79
10308984	RX-554-B58	5/8-11	2.00	50.8	1.76	44.7	2.00	1.570		1750	793.79
10309195	RX-554-B34	3/4-10	2.00	50.8	1.76	44.7	2.00	1.570		1750	793.79
10309694	RX-554-BM16	M16	2.00	50.8	1.76	44.7	2.00	1.570		1750	793.79
10309865	RX-554-BM20	M20	2.00	50.8	1.76	44.7	2.00	1.570		1750	793.79

- Material: Reinforced polyamide (PA) with brass insert.
- Usage: Conveyor and machinery support for use with all Rexnord levelers

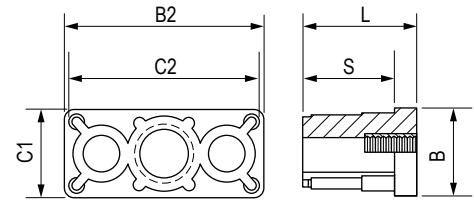
## Tube End – Square



Part Number	Reference Description	Thread Size	B		C		L	S	Tube Size	Static Load	
			in	mm	in	mm				lb	kg
10309168	RX-34200	3/8-16	1.00	25.4	1.00	25.4	1.23	0.970		1000	453.60
10309301	RX-600-16-10	M10	1.00	25.4	1.00	25.4	1.23	0.970		1000	453.60
10309026	RX-553-B38	3/8-16	1.50	38.1	1.26	32.0	1.70	1.380		1000	453.60
10309317	RX-553-B12	1/2-13	1.50	38.1	1.26	32.0	1.70	1.380		1000	453.60
10309693	RX-553-B58	5/8-11	1.50	38.1	1.26	32.0	1.70	1.380		1000	453.60
10309832	RX-553-B34	3/4-10	1.50	38.1	1.26	32.0	1.70	1.380		1000	453.60
10309481	RX-553-BM16	M16	1.50	38.1	1.26	32.0	1.70	1.380		1000	453.60
10309136	RX-553-BM20	M20	1.50	38.1	1.26	32.0	1.70	1.380		1000	453.60
10309466	RX-552-B38	3/8-16	1.50	38.1	1.37	34.8	1.70	1.380		1000	453.60
10309479	RX-552-B12	1/2-13	1.50	38.1	1.37	34.8	1.70	1.380		1000	453.60
10309789	RX-552-B58	5/8-11	1.50	38.1	1.37	34.8	1.70	1.380		1000	453.60
10309321	RX-552-B34	3/4-10	1.50	38.1	1.37	34.8	1.70	1.380		1000	453.60
10308992	RX-552-BM16	M16	1.50	38.1	1.37	34.8	1.70	1.380		1000	453.60
10309012	RX-552-BM20	M20	1.50	38.1	1.37	34.8	1.70	1.380		1000	453.60
10309505	RX-556-B38	3/8-16	2.00	50.8	1.78	45.2	2.00	1.580		1750	793.79
10309858	RX-556-B12	1/2-13	2.00	50.8	1.78	45.2	2.00	1.580		1750	793.79
10309635	RX-556-B58	5/8-11	2.00	50.8	1.78	45.2	2.00	1.580		1750	793.79
10309369	RX-556-B34	3/4-10	2.00	50.8	1.78	45.2	2.00	1.580		1750	793.79
10309015	RX-556-BM16	M16	2.00	50.8	1.78	45.2	2.00	1.580		1750	793.79
10309575	RX-556-BM20	M20	2.00	50.8	1.78	45.2	2.00	1.580		1750	793.79
10091062	224-59241	3/4-10	2.00	50.8	1.78	45.2	2.17	1.780		1800	816.47

- Material: Reinforced polyamide (PA) with brass insert.
- Usage: Conveyor and machinery support for use with all Rexnord levelers

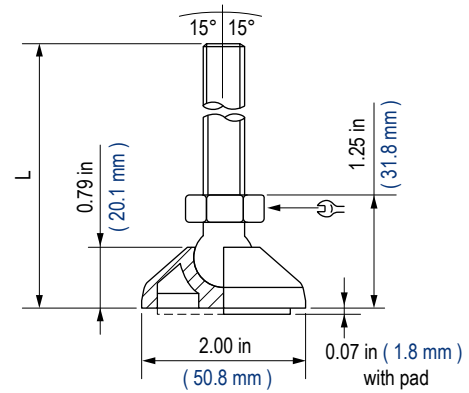
## Tube End – Rectangular



Part Number	Reference Description	Thread Size	B2		C2		L	S	Tube Size	Static Load	
			in	mm	in	mm				lb	kg
10309159	RX-561-B58	5/8-11	3.00	76.2	2.00	50.8	2.00	1.570		1750	793.79
10309482	RX-561-B34	3/4-10	3.00	76.2	2.00	50.8	2.00	1.570		1750	793.79
10309003	RX-561-BM16	M16	3.00	76.2	2.00	50.8	2.00	1.570		1750	793.79
10309648	RX-561-BM20	M20	3.00	76.2	2.00	50.8	2.00	1.570		1750	793.79

- Material: Reinforced polyamide (PA) with brass insert.
- Usage: Conveyor and machinery support for use with all Rexnord levelers

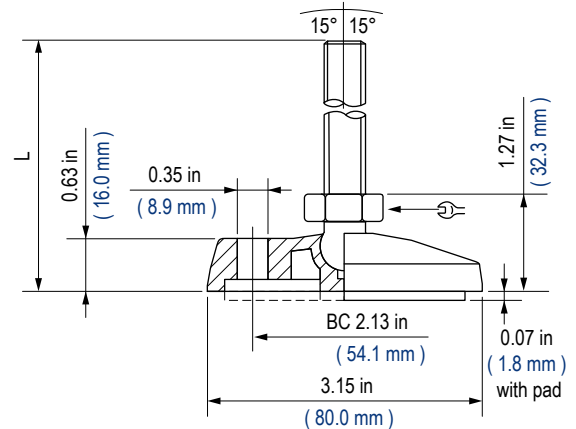
## Articulating Leveler – 537



- Material: Footplate in reinforced polyamide (PA)
- Usage: Light duty machinery support
- Anti-slip pad also available – RX-506
- Maximum Static Load: 700 lbs

Without Lag Holes		Thread Size	Spindle Material	Spindle Type	Height - L	
Part Number	Reference Description				in	mm
10309760	RX-537-01-P38-L3	3/8-16	ZN	6a	3.90	99.1
10309206	RX-537-01-S38-L3	3/8-16	SS	6a	3.90	99.1
10309287	RX-537-01-P38-L5	3/8-16	ZN	6a	6.10	154.9
10309803	RX-537-01-P12-L3	1/2-13	ZN	6a	3.90	99.1
10309257	RX-537-01-S12-L3	1/2-13	SS	6a	3.90	99.1
10309404	RX-537-01-P12-L5	1/2-13	ZN	6a	6.10	154.9
10309151	RX-537-01-S12-L5	1/2-13	SS	6a	6.10	154.9
10309339	RX-537-01-P58-L3	5/8-11	ZN	6a	3.90	99.1
10309017	RX-537-01-S58-L3	5/8-11	SS	6a	3.90	99.1
10309390	RX-537-01-P58-L5	5/8-11	ZN	6a	6.10	154.9
10309197	RX-537-01-S58-L5	5/8-11	SS	6a	6.10	154.9

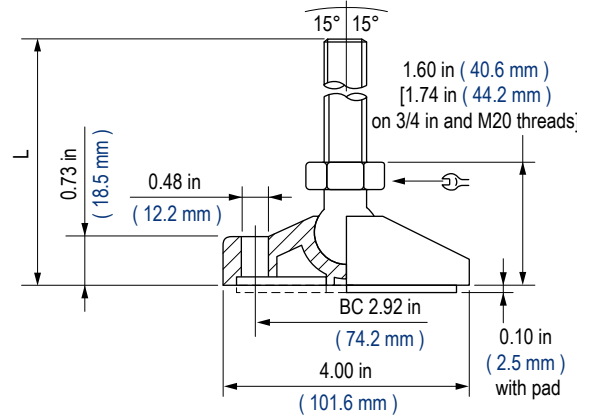
## Articulating Leveler – 505



Without Lag Holes		With Two Lag Holes		Thread Size	Spindle Material	Spindle Type	Height - L	
Part Number	Reference Description	Part Number	Reference Description				in	mm
10309232	RX-505-01-P38-L3	10309145	RX-505-02-P38-L3	3/8-16	ZN	6a	3.74	95.0
10309873	RX-505-01-S38-L3	10309593	RX-505-02-S38-L3	3/8-16	SS	6a	3.74	95.0
10309335	RX-505-01-P12-L3	10309867	RX-505-02-P12-L3	1/2-13	ZN	6a	3.74	95.0
10309454	RX-505-01-S12-L3	10309663	RX-505-02-S12-L3	1/2-13	SS	6a	3.74	95.0
10308994	RX-505-01-P12-L5	10309749	RX-505-02-P12-L5	1/2-13	ZN	6a	5.93	150.6
10308968	RX-505-01-S12-L5	10309633	RX-505-02-S12-L5	1/2-13	SS	6a	5.93	150.6
10309792	RX-505-01-P58-L3	10309752	RX-505-02-P58-L3	5/8-11	ZN	6a	3.74	95.0
10309701	RX-505-01-S58-L3	10309162	RX-505-02-S58-L3	5/8-11	SS	6a	3.74	95.0
10309495	RX-505-01-P58-L5	10309442	RX-505-02-P58-L5	5/8-11	ZN	6a	5.93	150.6
10309198	RX-505-01-S58-L5	10309193	RX-505-02-S58-L5	5/8-11	SS	6a	5.93	150.6

- Material: Footplate in reinforced polyamide (PA)
- Usage: Conveyor and machinery support
- Anti-slip pad also available – RX-506
- Maximum Static Load: 2000 lbs

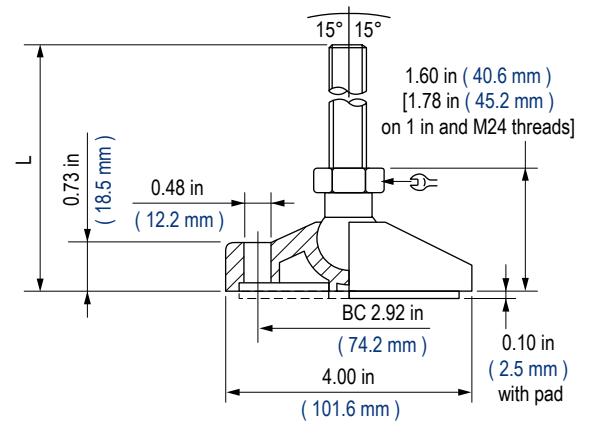
# Articulating Leveler – 511



Without Lag Holes		With Two Lag Holes		With One Lag Hole		With Skinned Lag Holes		Thread Size	Spindle Material	Spindle Type	Height - L	
Part Number	Reference Description	Part Number	Reference Description	Part Number	Reference Description	Part Number	Reference Description				in	mm
10309397	RX-511-01-P12-L3	10309048	RX-511-02-P12-L3	10309489	RX-511-03-P12-L3	10309856	RX-511-04-P12-L3	1/2-13	ZN	6a	4.52	114.8
10309649	RX-511-01-S12-L3	10309107	RX-511-02-S12-L3	10309610	RX-511-03-S12-L3	10309833	RX-511-04-S12-L3	1/2-13	SS	6a	4.52	114.8
10309698	RX-511-01-P12-L5	10309619	RX-511-02-P12-L5	10309715	RX-511-03-P12-L5	10309246	RX-511-04-P12-L5	1/2-13	ZN	6a	6.20	157.5
10309745	RX-511-01-S12-L5	10309438	RX-511-02-S12-L5	10309071	RX-511-03-S12-L5	10309709	RX-511-04-S12-L5	1/2-13	SS	6a	6.20	157.5
10309445	RX-511-01-P58-L3	10309429	RX-511-02-P58-L3	10309084	RX-511-03-P58-L3	10309349	RX-511-04-P58-L3	5/8-11	ZN	6a	4.52	114.8
10309406	RX-511-01-S58-L3	10309141	RX-511-02-S58-L3	10309655	RX-511-03-S58-L3	10309278	RX-511-04-S58-L3	5/8-11	SS	6a	4.52	114.8
10309623	RX-511-01-P58-L5	10309675	RX-511-02-P58-L5	10309323	RX-511-03-P58-L5	10309690	RX-511-04-P58-L5	5/8-11	ZN	6a	6.20	157.5
10309809	RX-511-01-S58-L5	10309817	RX-511-02-S58-L5	10309452	RX-511-03-S58-L5	10309302	RX-511-04-S58-L5	5/8-11	SS	6a	6.20	157.5
10309247	RX-511-01-P58-L7	10309822	RX-511-02-P58-L7	10309328	RX-511-03-P58-L7	10309847	RX-511-04-P58-L7	5/8-11	ZN	6a	7.69	195.3
10309773	RX-511-01-S58-L7	10309502	RX-511-02-S58-L7	10309415	RX-511-03-S58-L7	10309240	RX-511-04-S58-L7	5/8-11	SS	6a	7.69	195.3
10309047	RX-511-01-P34-L5	10309643	RX-511-02-P34-L5	10309802	RX-511-03-P34-L5	10309463	RX-511-04-P34-L5	3/4-10	ZN	6a	6.20	157.5
10309702	RX-511-01-S34-L5	10309449	RX-511-02-S34-L5	10309689	RX-511-03-S34-L5	10309786	RX-511-04-S34-L5	3/4-10	SS	6a	6.20	157.5
10309420	RX-511-01-P34-L7	10309095	RX-511-02-P34-L7	10309363	RX-511-03-P34-L7	10309550	RX-511-04-P34-L7	3/4-10	ZN	6a	7.69	195.3
10309818	RX-511-01-S34-L7	10309023	RX-511-02-S34-L7	10309179	RX-511-03-S34-L7	10309105	RX-511-04-S34-L7	3/4-10	SS	6a	7.69	195.3
10309562	RX-511-01-P34-L10	10309778	RX-511-02-P34-L10	10309710	RX-511-03-P34-L10	10309052	RX-511-04-P34-L10	3/4-10	ZN	6a	10.69	271.5
10309740	RX-511-01-S34-L10	10309598	RX-511-02-S34-L10	10309561	RX-511-03-S34-L10	10309659	RX-511-04-S34-L10	3/4-10	SS	6a	10.69	271.5
10309079	RX-511-01-SM20-L10	10309499	RX-511-02-SM20-L10	10309045	RX-511-03-SM20-L10	10309024	RX-511-04-SM20-L10	M20	SS	6a	10.69	271.5

- Material: Footplate in reinforced polyamide (PA)
- Usage: Conveyor and machinery support
- Anti-slip pad also available – RX-512
- Maximum Static Load: 2600 lbs

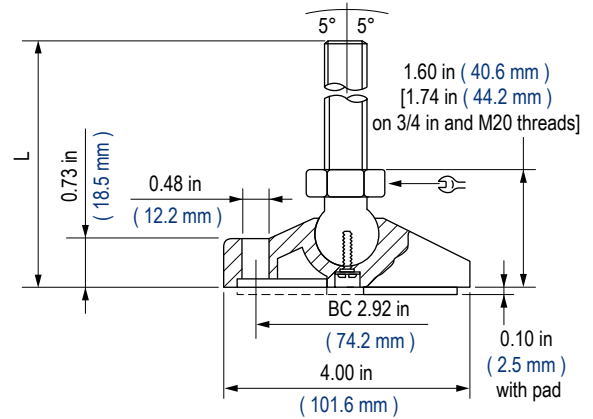
## Articulating Leveler – 511H



Without Lag Holes		With Two Lag Holes		With One Lag Hole		With Skinned Lag Holes		Thread Size	Spindle Material	Spindle Type	Height - L	
Part Number	Reference Description	Part Number	Reference Description	Part Number	Reference Description	Part Number	Reference Description				in	mm
10309252	RX-511H-01-P100-L7	10309519	RX-511H-02-P100-L7	10309230	RX-511H-03-P100-L7	10309061	RX-511H-04-P100-L7	1-8	ZN	6b	7.69	195.3
10309861	RX-511H-01-S100-L7	10309686	RX-511H-02-S100-L7	10309428	RX-511H-03-S100-L7	10309020	RX-511H-04-S100-L7	1-8	SS	6b	7.69	195.3
10309379	RX-511H-01-P100-L10	10309277	RX-511H-02-P100-L10	10309121	RX-511H-03-P100-L10	10309757	RX-511H-04-P100-L10	1-8	ZN	6b	9.95	252.7
10309074	RX-511H-01-S100-L10	10309650	RX-511H-02-S100-L10	10309325	RX-511H-03-S100-L10	10309154	RX-511H-04-S100-L10	1-8	SS	6b	9.95	252.7

- Material: Footplate in reinforced polyamide (PA)
- Usage: Conveyor and machinery support
- Anti-slip pad also available – RX-512
- Maximum Static Load: 2600 lbs

## Articulating Leveler – 511-T

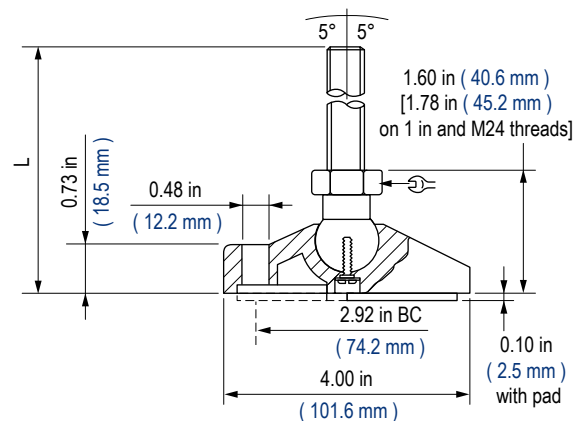


Without Lag Holes		With Two Lag Holes		With One Lag Hole		With Skinned Lag Holes		Thread Size	Spindle Material	Spindle Type	Height - L	
Part Number	Reference Description	Part Number	Reference Description	Part Number	Reference Description	Part Number	Reference Description				in	mm
10309830	RX-511-01-P12-L5T	10309658	RX-511-02-P12-L5T	10309255	RX-511-03-P12-L5T	10309530	RX-511-04-P12-L5T	1/2-13	ZN	6bl	6.20	157.5
10309511	RX-511-01-S12-L5T	10309478	RX-511-02-S12-L5T	10309638	RX-511-03-S12-L5T	10309011	RX-511-04-S12-L5T	1/2-13	SS	6bl	6.20	157.5
10309739	RX-511-01-P58-L5T	10309315	RX-511-02-P58-L5T	10309170	RX-511-03-P58-L5T	10309458	RX-511-04-P58-L5T	5/8-11	ZN	6bl	6.20	157.5
10309805	RX-511-01-S58-L5T	10309743	RX-511-02-S58-L5T	10309326	RX-511-03-S58-L5T	10309469	RX-511-04-S58-L5T	5/8-11	SS	6bl	6.20	157.5
10309080	RX-511-01-P58-L7T	10309324	RX-511-02-P58-L7T	10309815	RX-511-03-P58-L7T	10309210	RX-511-04-P58-L7T	5/8-11	ZN	6bl	7.69	195.3
10309069	RX-511-01-S58-L7T	10309031	RX-511-02-S58-L7T	10309829	RX-511-03-S58-L7T	10309430	RX-511-04-S58-L7T	5/8-11	SS	6bl	7.69	195.3
10308990	RX-511-01-P34-L5T	10309204	RX-511-02-P34-L5T	10309742	RX-511-03-P34-L5T	10309579	RX-511-04-P34-L5T	3/4-10	ZN	6bl	6.20	157.5
10309126	RX-511-01-S34-L5T	10309606	RX-511-02-S34-L5T	10309378	RX-511-03-S34-L5T	10309863	RX-511-04-S34-L5T	3/4-10	SS	6bl	6.20	157.5
10309068	RX-511-01-P34-L7T	10309423	RX-511-02-P34-L7T	10309279	RX-511-03-P34-L7T	10309471	RX-511-04-P34-L7T	3/4-10	ZN	6bl	7.69	195.3
10309685	RX-511-01-S34-L7T	10309284	RX-511-02-S34-L7T	10309573	RX-511-03-S34-L7T	10309630	RX-511-04-S34-L7T	3/4-10	SS	6bl	7.69	195.3
10309624	RX-511-01-P34-L10T	10309804	RX-511-02-P34-L10T	10309800	RX-511-03-S34-L10T	10309711	RX-511-04-P34-L10T	3/4-10	ZN	6bl	10.69	271.5
10309543	RX-511-01-S34-L10T	10309724	RX-511-02-S34-L10T	-	-	10308999	RX-511-04-S34-L10T	3/4-10	SS	6bl	10.69	271.5
10309848	RX-511-01-SM20-L10T	10309553	RX-511-02-SM20-L10T	10309807	RX-511-03-SM20-L10T	10309537	RX-511-04-SM20-L10T	M20	SS	6bl	10.69	271.5

- Material: Footplate in reinforced polyamide (PA)
- Usage: Conveyor and machinery support where resistance to spindle pull out is required
- Anti-slip pad also available – RX-512
- Maximum Static Load: 2600 lbs



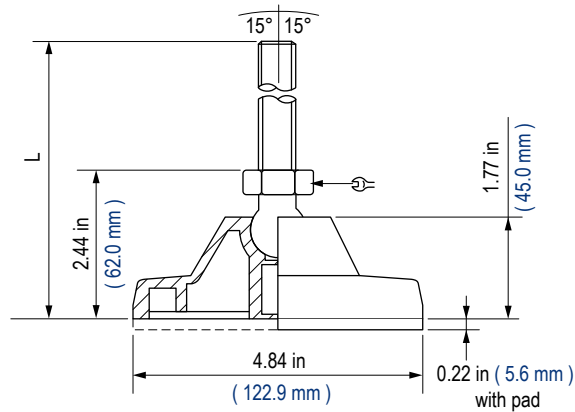
## Articulating Leveler – 511H-T



Without Lag Holes		With Two Lag Holes		With One Lag Hole		With Skinned Lag Holes		Thread Size	Spindle Material	Spindle Type	Height - L	
Part Number	Reference Description	Part Number	Reference Description	Part Number	Reference Description	Part Number	Reference Description				in	mm
–	–	–	–	10309520	RX-511H-03-P34-L10T	–	–	3/4-10	ZN	6bl	9.95	252.7
10309259	RX-511H-01-P100-L7T	10309300	RX-511H-02-P100-L7T	10309576	RX-511H-03-P100-L7T	10309808	RX-511H-04-P100-L7T	1-8	ZN	6bl	7.69	195.3
10309072	RX-511H-01-S100-L7T	10309388	RX-511H-02-S100-L7T	10309090	RX-511H-03-S100-L7T	10309236	RX-511H-04-S100-L7T	1-8	SS	6bl	7.69	195.3
10309625	RX-511H-01-P100-L10T	10309358	RX-511H-02-P100-L10T	10309381	RX-511H-03-P100-L10T	–	–	1-8	ZN	6bl	9.95	252.7
10309494	RX-511H-01-S100-L10T	10309766	RX-511H-02-S100-L10T	10309703	RX-511H-03-S100-L10T	10309801	RX-511H-04-S100-L10T	1-8	SS	6bl	9.95	252.7

- Material: Footplate in reinforced polyamide (PA)
- Usage: Conveyor and machinery support
- Anti-slip pad also available – RX-512
- Maximum Static Load: 2600 lbs

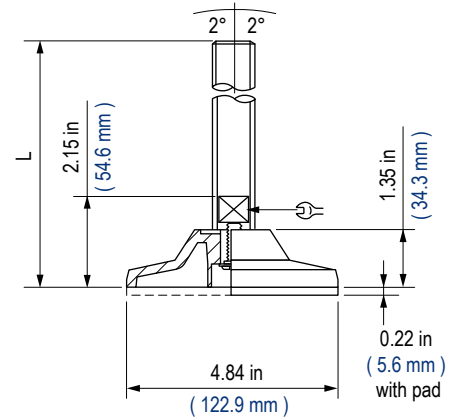
## Articulating Leveler – 513H



Without Lag Holes		Thread Size	Spindle Material	Spindle Type	Height - L	
Part Number	Reference Description				in	mm
10309681	RX-513H-01-P34-L5	3/4-10	ZN	6a	7.03	178.6
10309507	RX-513H-01-S34-L5	3/4-10	SS	6a	7.03	178.6
10309353	RX-513H-01-P34-L7	3/4-10	ZN	6a	8.55	217.2
10309344	RX-513H-01-S34-L7	3/4-10	SS	6a	8.55	217.2
10309626	RX-513H-01-P34-L10	3/4-10	ZN	6a	10.83	275.1
10309401	RX-513H-01-S34-L10	3/4-10	SS	6a	10.83	275.1
10309253	RX-513H-01-P100-L7	1-8	ZN	6a	8.55	217.2
10309821	RX-513H-01-S100-L7	1-8	SS	6a	8.55	217.2
10309475	RX-513H-01-P100-L10	1-8	ZN	6a	10.83	275.1
10309183	RX-513H-01-S100-L10	1-8	SS	6a	10.83	275.1
10309518	RX-513H-01-SM20-L10	M20	SS	6a	10.83	275.1

- Material: Footplate in reinforced polyamide (PA)
- Usage: Conveyor and machinery support
- Maximum Static Load: 4400 lbs

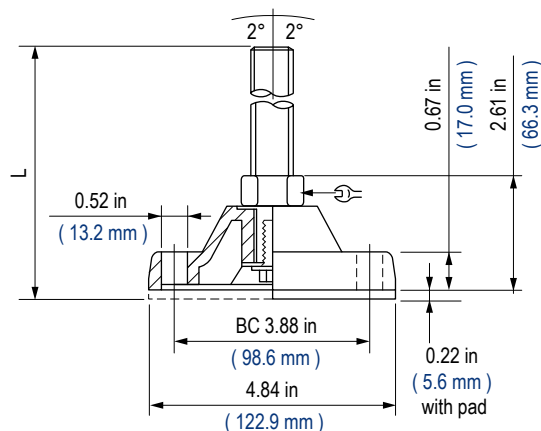
## Articulating Leveler – 517-K



Without Lag Holes		Thread Size	Spindle Material	Spindle Type	Height - L	
Part Number	Reference Description				in	mm
10309346	RX-517-01-P34-L7K	3/4-10	ZN	22	7.50	190.5
10309425	RX-517-01-S34-L7K	3/4-10	SS	22	7.50	190.5
10309613	RX-517-01-P100-L7K	1-8	ZN	22	7.48	190.0
10309014	RX-517-01-S100-L7K	1-8	SS	22	7.48	190.0
10309281	RX-517-01-P113-L7K	1-1/8-7	ZN	22	7.48	190.0
10309269	RX-517-01-S113-L7K	1-1/8-7	SS	22	7.48	190.0
10309359	RX-517-01-P125-L7K	1-1/4-7	ZN	22	7.48	190.0
10309370	RX-517-01-S125-L7K	1-1/4-7	SS	22	7.48	190.0

- Material: Footplate in reinforced polyamide (PA)
- Usage: Machinery support
- Maximum Static Load: 7000 lbs

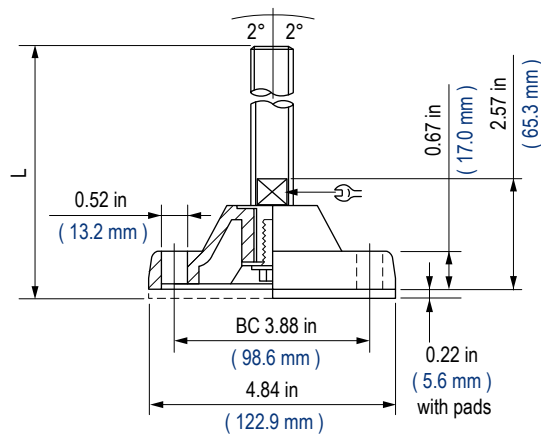
## Articulating Leveler – 520



- Material: Footplate in reinforced polyamide (PA)
- Usage: Conveyor and machinery support
- Maximum Static Load: 7000 lbs

With Two Lag Holes		Thread Size	Spindle Material	Spindle Type	Height - L	
Part Number	Reference Description				in	mm
10309267	RX-520-02-P34-L5	3/4-10	ZN	22s	5.97	151.6
10309086	RX-520-02-S34-L5	3/4-10	SS	22s	5.97	151.6
10308993	RX-520-02-S34-L7	3/4-10	SS	22s	7.48	190.0
10309627	RX-520-02-P34-L10	3/4-10	ZN	22s	10.07	255.8
10309617	RX-520-02-S34-L10	3/4-10	SS	22s	10.07	255.8
10309111	RX-520-02-P100-L7	1-8	ZN	22s	7.48	190.0
10309220	RX-520-02-S100-L7	1-8	SS	22s	7.48	190.0
10309446	RX-520-02-P100-L10	1-8	ZN	22s	10.07	255.8
10309217	RX-520-02-S100-L10	1-8	SS	22s	10.07	255.8

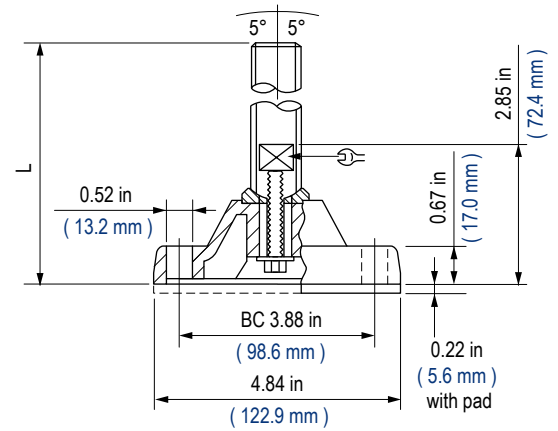
## Articulating Leveler – 520-K



- Material: Footplate in reinforced polyamide (PA)
- Usage: Conveyor and machinery support
- Maximum Static Load: 7000 lbs

With Two Lag Holes		Thread Size	Spindle Material	Spindle Type	Height - L	
Part Number	Reference Description				in	mm
10309879	RX-520-02-P34-L7K	3/4-10	ZN	21s	7.50	190.5
10308985	RX-520-02-P113-L7K	1-1/8-7	ZN	21s	7.50	190.5
10309089	RX-520-02-S113-L7K	1-1/8-7	SS	21s	7.50	190.5
10309218	RX-520-02-P125-L7K	1-1/4-7	ZN	21s	7.50	190.5
10309028	RX-520-02-S125-L7K	1-1/4-7	SS	21s	7.50	190.5
10309408	RX-520-02-P125-L10K	1-1/4-7	ZN	21s	9.95	252.7

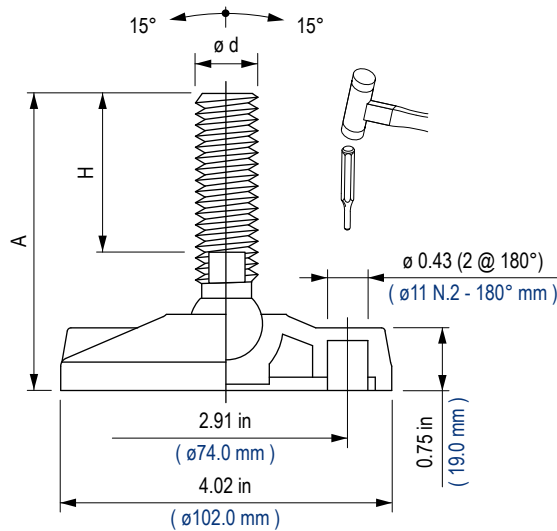
## Articulating Leveler – 520-T



With Two Lag Holes		Thread Size	Spindle Material	Spindle Type	Height - L	
Part Number	Reference Description				in	mm
10309435	RX-520-02-S100-L12T	1-8	SS	11	11.95	303.5
10309526	RX-520-02-P113-L10T	1-1/8-7	ZN	11	9.95	252.7
10309791	RX-520-02-S113-L10T	1-1/8-7	SS	11	9.95	252.7
10309765	RX-520-02-P113-L12T	1-1/8-7	ZN	11	11.95	303.5
10309088	RX-520-02-S113-L12T	1-1/8-7	SS	11	11.95	303.5
10309152	RX-520-02-S125-L10T	1-1/4-7	SS	11	9.95	252.7
10308979	RX-520-02-P125-L10T	1-1/4-7	ZN	11	9.95	252.7
10309029	RX-520-02-S125-L12T	1-1/4-7	SS	11	11.95	303.5

- Material: Footplate in reinforced polyamide (PA)
- Usage: Conveyor and machinery support where resistance to spindle pull out is required
- Maximum Static Load: 7000 lbs

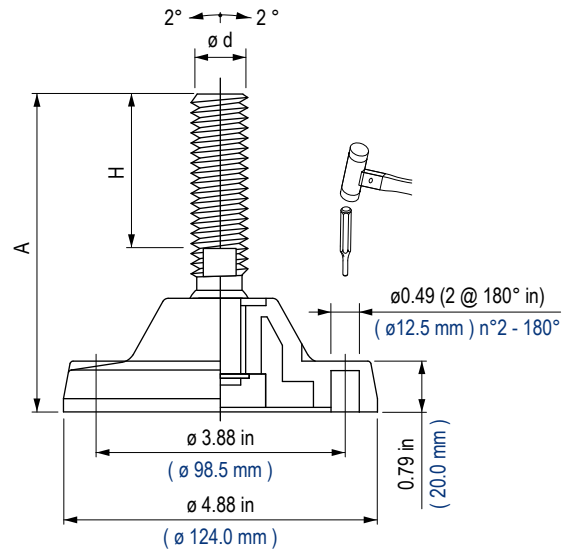
## Articulating Leveler – 133



Without Lag Holes		Thread Size	Spindle Material	Spindle Type	Height - A		With Skinned Holes	
Part Number	Reference Description				in	mm	Part Number	Reference Description
10082404	133-636882	3/4-10	SS	6b	7.68	195.1	10082404	133-636882
10082409	133-67982	3/4-10	SS	6	7.72	196.1	10082409	133-67982
10082405	133-64795	3/4-10	SS	6	10.72	272.3	10082405	133-64795

- Material: Footplate in reinforced polyamide (PA)
- Usage: Conveyor and machinery support
- Anti-slip pad also available – 10030102
- Maximum Static Load: 2700 lbs

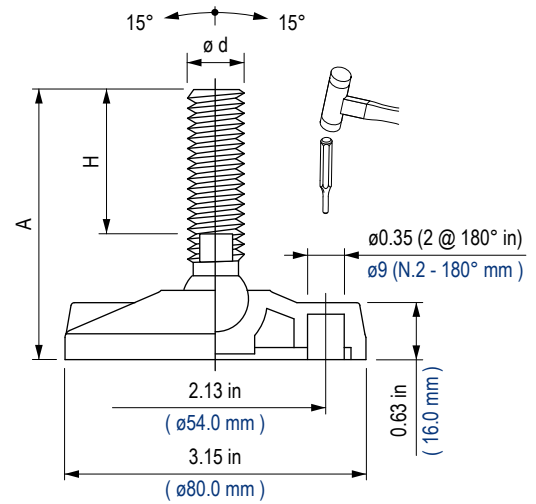
## Articulating Leveler – 169



With Skinned Holes		Thread Size	Spindle Material	Spindle Type	Height - A	
Part Number	Reference Description				in	mm
10082636	169-651741	1-8	SS	21	7.6	193.0

- Material: Footplate in reinforced polyamide (PA)
- Usage: Conveyor and machinery support
- Maximum Static Load: 10,000 lbs

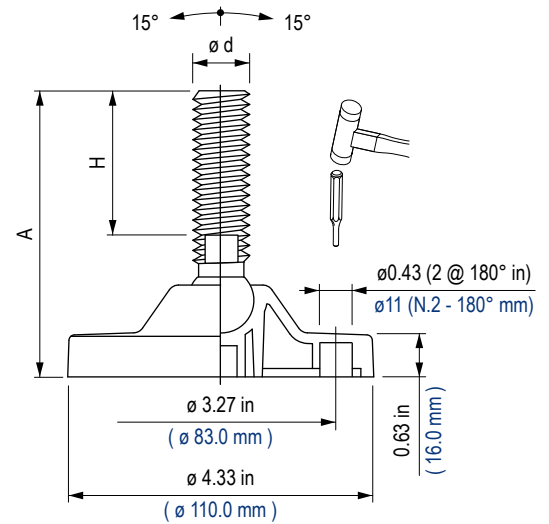
## Articulating Leveler – 323



With Skinned Holes		Thread Size	Spindle Material	Spindle Type	Height - A	
Part Number	Reference Description				in	mm
10099287	323-650161	3/4-10	ZN	1a	6.89	175.0

- Material: Footplate in reinforced polyamide (PA)
- Usage: Conveyor and machinery support
- Uses 10030101 anti-slip pad
- Maximum Static Load: 2000 lbs

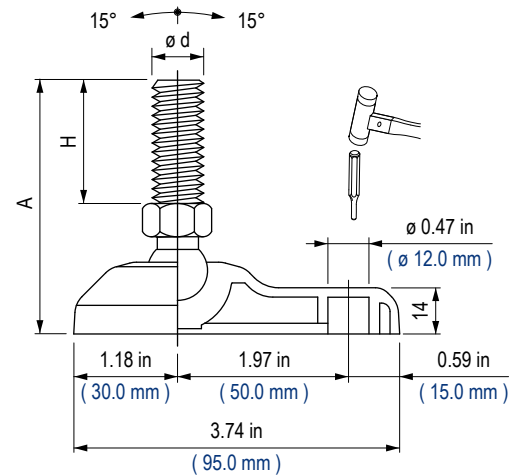
## Articulating Leveler – 479



Without Lag Holes		Thread Size	Spindle Material	Spindle Type	Height - A	
Part Number	Reference Description				in	mm
10106007	479-653131	5/8-11	SS	6	8.18	207.8
10106008	479-653691	3/4-10	SS	6	11.19	284.2

- Material: Footplate in reinforced polyamide (PA)
- Usage: Conveyor and machinery support
- Anti-slip pad also available – 10030147
- Maximum Static Load: 4500 lbs

## Articulating Leveler – 94



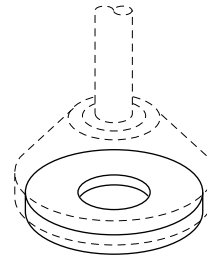
Without Lag Holes		Thread Size	Spindle Material	Spindle Type	Height - A	
Part Number	Reference Description				in	mm
10148344	94-655121	1/2-13	SS	6b	10.70	271.8

- Material: Footplate in reinforced polyamide (PA)
- Usage: Conveyor and machinery support
- Anti-slip pad also available – 10030148
- Maximum Static Load: 4500 lbs

## Anti-Slip Pads



Part Number	Reference Description	For Use With
10309615	RX-538	RX-537 Series
10309877	RX-506	RX-505 Series
10309050	RX-512	RX-511 Series
10030102	0-630052	133 Series
10030103	0-662901	169 Series
10030101	0-630042	323 Series
10318455	0-662911	479 Series
10352584	0-696171	94 Series



0-607863.....	24	612-611283.....	90	754-607673-8.....	23	756-607733-1.....	20
0-630042.....	110	612-655072.....	90	754-607673-9.....	23	756-607733-2.....	20
0-630052.....	110	612-655092.....	90	754-607673-10.....	23	756-607733-3.....	20
0-640463.....	24	612-655102.....	90	754-607673-11.....	23	756-607733-4.....	20
0-656061.....	95	612-655112.....	90	754-607673-12.....	23	756-607733-5.....	20
0-662901.....	110	612-655132.....	90	754-607673-13.....	23	756-607733-6.....	20
0-662911.....	110	612-686232.....	90	754-607673-14.....	23	756-607733-7.....	20
0-696171.....	110	612-692942.....	90	754-607673-15.....	23	756-607733-8.....	20
94-655121.....	109	612-692972.....	90	754-607673-16.....	23	756-607733-9.....	20
114-398-1.....	50	613-615352.....	68	754-607673-17.....	23	756-607733-10.....	20
114-399-1.....	47	613-632472.....	68	754-607673-18.....	23	756-607733-11.....	20
114-671-1.....	48	613-635142.....	68	754-607673-19.....	23	756-607733-12.....	20
114-672-1.....	49	614-615392.....	68	754-607673-20.....	23	756-607733-13.....	20
114-673-1.....	48	614-632482.....	68	754-657011.....	23	756-607733-14.....	20
114-674-1.....	49	614-635152.....	68	754-657011-1.....	23	756-607733-15.....	20
133-64795.....	107	618-624312.....	75	754-657011-2.....	23	756-607733-16.....	20
133-67982.....	107	655-673132N.....	58	754-657011-3.....	23	756-607733-17.....	20
133-636882.....	107	655-673142N.....	58	754-657011-4.....	23	756-607733-18.....	20
169-651741.....	108	657-656692.....	69	754-657011-5.....	23	756-607733-19.....	20
182-54911.....	84	657-656982.....	69	754-657011-6.....	23	756-607733-20.....	20
224-59241.....	98	657-657002.....	69	754-657011-7.....	23	756-607753.....	22
302-60852.....	87	672-687412.....	92	754-657011-8.....	23	756-607753-1.....	22
302-60952.....	87	672-687432.....	92	754-657011-9.....	23	756-607753-2.....	22
303-60932.....	86	672-699032.....	92	754-657011-10.....	23	756-607753-3.....	22
323-650161.....	108	732-692352N.....	58	754-657011-11.....	23	756-607753-4.....	22
337-67023N.....	96	732-692362N.....	58	754-657011-12.....	23	756-607753-5.....	22
346-60204.....	15	732-692372N.....	58	754-657011-13.....	23	756-607753-6.....	22
367-655712M.....	62	754-607653.....	21	754-657011-14.....	23	756-607753-7.....	22
369-69995.....	24	754-607653-1.....	21	754-657011-15.....	23	756-607753-8.....	22
371-6156.....	62	754-607653-2.....	21	754-657011-16.....	23	756-607753-9.....	22
479-653131.....	109	754-607653-3.....	21	754-657011-17.....	23	756-607753-10.....	22
479-653691.....	109	754-607653-4.....	21	754-657011-18.....	23	756-607753-11.....	22
514-236-1.....	61	754-607653-5.....	21	754-657011-19.....	23	756-607753-12.....	22
518-642951N.....	83	754-607653-6.....	21	754-657011-20.....	23	756-607753-13.....	22
537-689231.....	19	754-607653-7.....	21	754-657021.....	21	756-607753-14.....	22
557-695991N.....	17	754-607653-8.....	21	754-657021-1.....	21	756-607753-15.....	22
563-669512.....	74	754-607653-9.....	21	754-657021-2.....	21	756-607753-16.....	22
567-687382.....	92	754-607653-10.....	21	754-657021-3.....	21	756-607753-17.....	22
567-688792.....	92	754-607653-11.....	21	754-657021-4.....	21	756-607753-18.....	22
567-688812.....	92	754-607653-12.....	21	754-657021-5.....	21	756-607753-19.....	22
567-688822.....	92	754-607653-13.....	21	754-657021-6.....	21	756-607753-20.....	22
567-699002.....	92	754-607653-14.....	21	754-657021-7.....	21	756-657031.....	22
568-603402.....	91	754-607653-15.....	21	754-657021-8.....	21	756-657031-1.....	22
568-605912.....	91	754-607653-16.....	21	754-657021-9.....	21	756-657031-2.....	22
568-687402.....	91	754-607653-17.....	21	754-657021-10.....	21	756-657031-3.....	22
568-699022.....	91	754-607653-18.....	21	754-657021-11.....	21	756-657031-4.....	22
569-603412.....	91	754-607653-19.....	21	754-657021-12.....	21	756-657031-5.....	22
569-605922.....	91	754-607653-20.....	21	754-657021-13.....	21	756-657031-6.....	22
569-687392.....	91	754-607673.....	23	754-657021-14.....	21	756-657031-7.....	22
569-699012.....	91	754-607673-1.....	23	754-657021-15.....	21	756-657031-8.....	22
570-601162N.....	18	754-607673-2.....	23	754-657021-16.....	21	756-657031-9.....	22
580-603302.....	18	754-607673-3.....	23	754-657021-17.....	21	756-657031-10.....	22
580-611772.....	18	754-607673-4.....	23	754-657021-18.....	21	756-657031-11.....	22
581-603312.....	19	754-607673-5.....	23	754-657021-19.....	21	756-657031-12.....	22
612-605043.....	90	754-607673-6.....	23	754-657021-20.....	21	756-657031-13.....	22
612-608463.....	90	754-607673-7.....	23	756-607733.....	20	756-657031-14.....	22



756-657031-15.....	22	RX-013-01.....	34	RX-200-225-12-B.....	57	RX-205-C-14-S.....	54
756-657031-16.....	22	RX-013-03.....	34	RX-200-225-58-B.....	57	RX-205-C-18-P.....	54
756-657031-17.....	22	RX-013-04.....	34	RX-201-S115.....	56	RX-205-C-18-S.....	54
756-657031-18.....	22	RX-013-06.....	34	RX-202HS-12.....	45	RX-205-C-316-P.....	54
756-657031-19.....	22	RX-016-01.....	36	RX-202HS-58.....	45	RX-205-C-316-S.....	54
756-657031-20.....	22	RX-016-02.....	36	RX-203HS-12.....	46	RX-205-CC-14-P.....	55
756-657041.....	20	RX-016-03.....	36	RX-203HS-58.....	46	RX-205-CC-14-S.....	55
756-657041-1.....	20	RX-017.....	36	RX-203HTS-12.....	44	RX-205-CC-18-P.....	55
756-657041-2.....	20	RX-018-01.....	35	RX-203HTS-58.....	44	RX-205-CC-18-S.....	55
756-657041-3.....	20	RX-018-02.....	35	RX-203L.....	42	RX-205-CC-316-P.....	55
756-657041-4.....	20	RX-018-03.....	35	RX-203LHS-12.....	43	RX-205-CC-316-S.....	55
756-657041-5.....	20	RX-018-04.....	35	RX-203LHS-58.....	43	RX-205-D-14-P.....	54
756-657041-6.....	20	RX-018M-02.....	35	RX-203LTC-12.....	43	RX-205-D-14-S.....	54
756-657041-7.....	20	RX-018M-04.....	35	RX-203LTC-58.....	43	RX-205-D-18-P.....	54
756-657041-8.....	20	RX-019-12.....	37	RX-203TC-12.....	46	RX-205-D-18-S.....	54
756-657041-9.....	20	RX-020-01.....	33	RX-203TC-58.....	46	RX-205-D-316-P.....	54
756-657041-10.....	20	RX-020J-R3.....	33	RX-204-B14-S.....	56	RX-205-D-316-S.....	54
756-657041-11.....	20	RX-020J-R4.....	33	RX-204F-45-316S.....	57	RX-205-DB-14-P.....	55
756-657041-12.....	20	RX-020J-R5.....	33	RX-204F-75-316S.....	57	RX-205-DB-14-S.....	55
756-657041-13.....	20	RX-020J-R6.....	33	RX-205-A-14-P.....	53	RX-205-DB-18-P.....	55
756-657041-14.....	20	RX-020J-R7.....	33	RX-205-A-14-S.....	53	RX-205-DB-18-S.....	55
756-657041-15.....	20	RX-020J-R8.....	33	RX-205-A-18-P.....	53	RX-205-DB-316-P.....	55
756-657041-16.....	20	RX-020J-R9.....	33	RX-205-A-18-S.....	53	RX-205-DB-316-S.....	55
756-657041-17.....	20	RX-020J-R10.....	33	RX-205-A-316-P.....	53	RX-205-DC-14-P.....	55
756-657041-18.....	20	RX-020-R3.....	32	RX-205-A-316-S.....	53	RX-205-DC-14-S.....	55
756-657041-19.....	20	RX-020-R4.....	32	RX-205-AB-14-P.....	55	RX-205-DC-18-P.....	55
756-657041-20.....	20	RX-020-R5.....	32	RX-205-AB-14-S.....	55	RX-205-DC-18-S.....	55
763-610633.....	47	RX-020-R6.....	32	RX-205-AB-18-P.....	55	RX-205-DC-316-P.....	55
769-609163N.....	12	RX-020-R7.....	32	RX-205-AB-18-S.....	55	RX-205-DC-316-S.....	55
852-646633.....	24	RX-020-R8.....	32	RX-205-AB-316-P.....	55	RX-210-12.....	45
854-646643.....	25	RX-020-R9.....	32	RX-205-AB-316-S.....	55	RX-210-58.....	45
902-652041.....	34	RX-020-R10.....	32	RX-205-AC-14-P.....	55	RX-212-3-38.....	38
902-656041.....	34	RX-020-R12.....	32	RX-205-AC-14-S.....	55	RX-212-3-38-LN.....	38
903-654101.....	35	RX-020-R15.....	32	RX-205-AC-18-P.....	55	RX-212-3-516.....	38
903-654111.....	35	RX-021-02.....	32	RX-205-AC-18-S.....	55	RX-212-3-516-LN.....	38
903-654121.....	35	RX-022-01.....	31	RX-205-AC-316-P.....	55	RX-212-4-38.....	38
903-654741.....	35	RX-031-12-50.....	31	RX-205-AC-316-S.....	55	RX-212-4-38-LN.....	38
903-656001.....	35	RX-031-12-50-LN.....	31	RX-205-B-14-P.....	53	RX-212-4-516.....	38
905-655711.....	94	RX-031-12-70.....	31	RX-205-B-14-S.....	53	RX-212-4-516-LN.....	38
905-655721.....	94	RX-031-12-70-LN.....	31	RX-205-B-18-P.....	53	RX-212-5-38.....	38
905-655731.....	94	RX-031-12-110.....	31	RX-205-B-18-S.....	53	RX-212-5-38-LN.....	38
905-656231.....	93	RX-031-12-110-LN.....	31	RX-205-B-316-P.....	53	RX-212-5-516.....	38
905-656241.....	93	RX-032-12-50.....	37	RX-205-B-316-S.....	53	RX-212-6-14.....	38
905-656421.....	93	RX-032-12-50-LN.....	37	RX-205-BB-14-P.....	55	RX-212-6-14-LN.....	38
906-656721.....	69	RX-032-12-70.....	37	RX-205-BB-14-S.....	55	RX-212-6-38.....	38
906-656731.....	69	RX-032-12-70-LN.....	37	RX-205-BB-18-P.....	55	RX-212-6-38-LN.....	38
906-656881.....	70	RX-032-12-110.....	37	RX-205-BB-18-S.....	55	RX-212-6-516.....	38
906-656891.....	70	RX-032-12-110-LN.....	37	RX-205-BB-316-P.....	55	RX-212-6-516-LN.....	38
10193110.....	93	RX-040-01.....	25	RX-205-BB-316-S.....	55	RX-212-7-14.....	38
RX-011-01.....	29	RX-118-03.....	34	RX-205-BC-14-P.....	55	RX-212-7-14-LN.....	38
RX-011-03.....	29	RX-118-04K.....	35	RX-205-BC-14-S.....	55	RX-212-7-38.....	38
RX-011-04.....	29	RX-118M-04.....	34	RX-205-BC-18-P.....	55	RX-212-7-38-LN.....	38
RX-011-SH.....	30	RX-200-4R.....	56	RX-205-BC-18-S.....	55	RX-212-7-516.....	38
RX-011-WD.....	30	RX-200-4Y.....	56	RX-205-BC-316-P.....	55	RX-212-7-516-LN.....	38
RX-012-01.....	29	RX-200-5R.....	56	RX-205-BC-316-S.....	55	RX-212-8-38.....	38
RX-012-SH.....	29	RX-200-5Y.....	56	RX-205-C-14-P.....	54	RX-212-8-38-LN.....	38

RX-212-8-516.....	38	RX-232-10-38-LN.....	39	RX-505-01-P58-L5.....	100	RX-511-02-P58-L3.....	101
RX-212-8-516-LN.....	38	RX-232-10-516.....	39	RX-505-01-S12-L3.....	100	RX-511-02-P58-L5.....	101
RX-212-10-14.....	38	RX-232-10-516-LN.....	39	RX-505-01-S12-L5.....	100	RX-511-02-P58-L5T.....	103
RX-212-10-14-LN.....	38	RX-232-12-38.....	39	RX-505-01-S38-L3.....	100	RX-511-02-P58-L7.....	101
RX-212-10-38.....	38	RX-232-12-38-LN.....	39	RX-505-01-S58-L3.....	100	RX-511-02-P58-L7T.....	103
RX-212-10-38-LN.....	38	RX-232-12-516.....	39	RX-505-01-S58-L5.....	100	RX-511-02-S12-L3.....	101
RX-212-10-516.....	38	RX-232-12-516-LN.....	39	RX-505-02-P12-L3.....	100	RX-511-02-S12-L5.....	101
RX-212-10-516-LN.....	38	RX-232-15-38.....	39	RX-505-02-P12-L5.....	100	RX-511-02-S12-L5T.....	103
RX-212-12-38.....	38	RX-232-15-38-LN.....	39	RX-505-02-P38-L3.....	100	RX-511-02-S34-L5.....	101
RX-212-12-38-LN.....	38	RX-232-15-516.....	39	RX-505-02-P58-L3.....	100	RX-511-02-S34-L5T.....	103
RX-212-12-516.....	38	RX-232-15-516-LN.....	39	RX-505-02-P58-L5.....	100	RX-511-02-S34-L7.....	101
RX-212-12-516-LN.....	38	RX-232-18-38.....	39	RX-505-02-S12-L3.....	100	RX-511-02-S34-L7T.....	103
RX-212-15-38.....	38	RX-232-18-38-LN.....	39	RX-505-02-S12-L5.....	100	RX-511-02-S34-L10.....	101
RX-212-15-38-LN.....	38	RX-232-18-516.....	39	RX-505-02-S38-L3.....	100	RX-511-02-S34-L10T.....	103
RX-212-15-516.....	38	RX-232-18-516-LN.....	39	RX-505-02-S58-L3.....	100	RX-511-02-S58-L3.....	101
RX-212-15-516-LN.....	38	RX-232-24-38.....	39	RX-505-02-S58-L5.....	100	RX-511-02-S58-L5.....	101
RX-212-18-38.....	38	RX-232-24-38-LN.....	39	RX-506.....	110	RX-511-02-S58-L5T.....	103
RX-212-18-38-LN.....	38	RX-232-24-516.....	39	RX-511-01-P12-L3.....	101	RX-511-02-S58-L7.....	101
RX-212-18-516.....	38	RX-232-24-516-LN.....	39	RX-511-01-P12-L5.....	101	RX-511-02-S58-L7T.....	103
RX-212-18-516-LN.....	38	RX-232J-4-38.....	40	RX-511-01-P12-L5T.....	103	RX-511-02-SM20-L10.....	101
RX-212-24-38.....	38	RX-232J-4-516.....	40	RX-511-01-P34-L5.....	101	RX-511-02-SM20-L10T.....	103
RX-212-24-38-LN.....	38	RX-232J-6-38.....	40	RX-511-01-P34-L5T.....	103	RX-511-03-P12-L3.....	101
RX-212-24-516.....	38	RX-232J-6-516.....	40	RX-511-01-P34-L7.....	101	RX-511-03-P12-L5.....	101
RX-212-24-516-LN.....	38	RX-232J-8-38.....	40	RX-511-01-P34-L7T.....	103	RX-511-03-P12-L5T.....	103
RX-212J-3-38.....	40	RX-232J-8-516.....	40	RX-511-01-P34-L10.....	101	RX-511-03-P34-L5.....	101
RX-212J-3-516.....	40	RX-232J-10-38.....	40	RX-511-01-P34-L10T.....	103	RX-511-03-P34-L5T.....	103
RX-212J-5-38.....	40	RX-232J-10-516.....	40	RX-511-01-P58-L3.....	101	RX-511-03-P34-L7.....	101
RX-212J-5-516.....	40	RX-253B-S-12.....	51	RX-511-01-P58-L5.....	101	RX-511-03-P34-L7T.....	103
RX-212J-7-38.....	40	RX-253B-S-58.....	51	RX-511-01-P58-L5T.....	103	RX-511-03-P34-L10.....	101
RX-212J-7-516.....	40	RX-253K-S-12.....	51	RX-511-01-P58-L7.....	101	RX-511-03-P58-L3.....	101
RX-212J-9-38.....	40	RX-253K-S-58.....	51	RX-511-01-P58-L7T.....	103	RX-511-03-P58-L5.....	101
RX-212J-9-516.....	40	RX-253N-S-12.....	50	RX-511-01-S12-L3.....	101	RX-511-03-P58-L5T.....	103
RX-212JQ-38.....	40	RX-253N-S-58.....	50	RX-511-01-S12-L5.....	101	RX-511-03-P58-L7.....	101
RX-212JQ-516.....	40	RX-280-38M.....	84	RX-511-01-S12-L5T.....	103	RX-511-03-P58-L7T.....	103
RX-215-06-12T.....	41	RX-280PP-M10F.....	85	RX-511-01-S34-L5.....	101	RX-511-03-S12-L3.....	101
RX-215-09-12T.....	41	RX-281-M10F.....	84	RX-511-01-S34-L5T.....	103	RX-511-03-S12-L5.....	101
RX-215-12-12T.....	41	RX-282-38M.....	85	RX-511-01-S34-L7.....	101	RX-511-03-S12-L5T.....	103
RX-221-12.....	42	RX-282-M10F.....	85	RX-511-01-S34-L7T.....	103	RX-511-03-S34-L5.....	101
RX-221-58.....	42	RX-291.....	26	RX-511-01-S34-L10.....	101	RX-511-03-S34-L5T.....	103
RX-223-12-01.....	52	RX-292.....	26	RX-511-01-S34-L10T.....	103	RX-511-03-S34-L7.....	101
RX-223-58-01.....	52	RX-293.....	52	RX-511-01-S58-L3.....	101	RX-511-03-S34-L7T.....	103
RX-223N-12-01.....	52	RX-305-1.50.....	73	RX-511-01-S58-L5.....	101	RX-511-03-S34-L10.....	101
RX-223N-58-01.....	52	RX-305-T2.0.....	73	RX-511-01-S58-L5T.....	103	RX-511-03-S34-L10T.....	103
RX-232-4-38.....	39	RX-307-1.50.....	72	RX-511-01-S58-L7.....	101	RX-511-03-S58-L3.....	101
RX-232-4-38-LN.....	39	RX-307-T2.0.....	72	RX-511-01-S58-L7T.....	103	RX-511-03-S58-L5.....	101
RX-232-4-516.....	39	RX-308-1.50.....	72	RX-511-01-SM20-L10.....	101	RX-511-03-S58-L5T.....	103
RX-232-4-516-LN.....	39	RX-308-T2.0.....	72	RX-511-01-SM20-L10T.....	103	RX-511-03-S58-L7.....	101
RX-232-6-38.....	39	RX-402-1.5-58.....	75	RX-511-02-P12-L3.....	101	RX-511-03-S58-L7T.....	103
RX-232-6-38-LN.....	39	RX-402-T2.0-58.....	75	RX-511-02-P12-L5.....	101	RX-511-03-SM20-L10.....	101
RX-232-6-516.....	39	RX-403-1.5-58.....	75	RX-511-02-P12-L5T.....	103	RX-511-03-SM20-L10T.....	103
RX-232-6-516-LN.....	39	RX-403-T2.0-58.....	75	RX-511-02-P34-L5.....	101	RX-511-04-P12-L3.....	101
RX-232-8-38.....	39	RX-410-1.5-58.....	76	RX-511-02-P34-L5T.....	103	RX-511-04-P12-L5.....	101
RX-232-8-38-LN.....	39	RX-505-01-P12-L3.....	100	RX-511-02-P34-L7.....	101	RX-511-04-P12-L5T.....	103
RX-232-8-516.....	39	RX-505-01-P12-L5.....	100	RX-511-02-P34-L7T.....	103	RX-511-04-P34-L5.....	101
RX-232-8-516-LN.....	39	RX-505-01-P38-L3.....	100	RX-511-02-P34-L10.....	101	RX-511-04-P34-L5T.....	103
RX-232-10-38.....	39	RX-505-01-P58-L3.....	100	RX-511-02-P34-L10T.....	103	RX-511-04-P34-L7.....	101

RX-511-04-P34-L7T.....	103	RX-512.....	110	RX-552-B34.....	98	RX-641-N-58.....	27
RX-511-04-P34-L10.....	101	RX-513H-01-P34-L5.....	105	RX-552-B38.....	98	RX-641T-K-12.....	28
RX-511-04-P34-L10T.....	103	RX-513H-01-P34-L7.....	105	RX-552-B58.....	98	RX-641T-K-58.....	28
RX-511-04-P58-L3.....	101	RX-513H-01-P34-L10.....	105	RX-552-BM16.....	98	RX-641T-N-12.....	28
RX-511-04-P58-L5.....	101	RX-513H-01-P100-L7.....	105	RX-552-BM20.....	98	RX-641T-N-58.....	28
RX-511-04-P58-L5T.....	103	RX-513H-01-P100-L10.....	105	RX-553-B12.....	98	RX-641T-R-12.....	28
RX-511-04-P58-L7.....	101	RX-513H-01-S34-L5.....	105	RX-553-B34.....	98	RX-641T-R-58.....	28
RX-511-04-P58-L7T.....	103	RX-513H-01-S34-L7.....	105	RX-553-B38.....	98	RX-750-10.....	67
RX-511-04-S12-L3.....	101	RX-513H-01-S34-L10.....	105	RX-553-B58.....	98	RX-13129V.....	44
RX-511-04-S12-L5.....	101	RX-513H-01-S100-L7.....	105	RX-553-BM16.....	98	RX-13130V.....	44
RX-511-04-S12-L5T.....	103	RX-513H-01-S100-L10.....	105	RX-553-BM20.....	98	RX-13182.....	60
RX-511-04-S34-L5.....	101	RX-513H-01-SM20-L10.....	105	RX-554-B12.....	97	RX-34200.....	98
RX-511-04-S34-L5T.....	103	RX-517-01-P34-L7K.....	105	RX-554-B34.....	97	RX-A600-10.....	16
RX-511-04-S34-L7.....	101	RX-517-01-P100-L7K.....	105	RX-554-B38.....	97	RX-A600-20.....	16
RX-511-04-S34-L7T.....	103	RX-517-01-P113-L7K.....	105	RX-554-B58.....	97	RX-A1878T-10.....	17
RX-511-04-S34-L10.....	101	RX-517-01-P125-L7K.....	105	RX-554-BM16.....	97	RX-A2520-20.....	17
RX-511-04-S34-L10T.....	103	RX-517-01-S34-L7K.....	105	RX-554-BM20.....	97	RX-CSI-538-100.....	63
RX-511-04-S58-L3.....	101	RX-517-01-S100-L7K.....	105	RX-556-B12.....	98	RX-J288-188-10.....	65
RX-511-04-S58-L5.....	101	RX-517-01-S113-L7K.....	105	RX-556-B34.....	98	RX-J300-125-10.....	65
RX-511-04-S58-L5T.....	103	RX-517-01-S125-L7K.....	105	RX-556-B38.....	98	RX-JEL-081-125-20.....	65
RX-511-04-S58-L7.....	101	RX-520-02-P34-L5.....	106	RX-556-B58.....	98	RX-JL-137-125-20.....	65
RX-511-04-S58-L7T.....	103	RX-520-02-P34-L7K.....	106	RX-556-BM16.....	98	RX-JS3-075-125-10.....	65
RX-511-04-SM20-L10.....	101	RX-520-02-P34-L10.....	106	RX-556-BM20.....	98	RX-NB-4.....	77
RX-511-04-SM20-L10T.....	103	RX-520-02-P100-L7.....	106	RX-560-1.5-11.....	71	RX-NB-4.5.....	77
RX-511H-01-P100-L7.....	102	RX-520-02-P100-L10.....	106	RX-560-1.5-16.....	71	RX-NB4.5-R220.....	78
RX-511H-01-P100-L7T.....	104	RX-520-02-P113-L7K.....	106	RX-560-2.0-11.....	71	RX-NB4.5-R221.....	78
RX-511H-01-P100-L10.....	102	RX-520-02-P113-L10T.....	107	RX-561-B34.....	99	RX-NB4.5-R270.....	78
RX-511H-01-P100-L10T.....	104	RX-520-02-P113-L12T.....	107	RX-561-B58.....	99	RX-NB4.5-R271.....	78
RX-511H-01-S100-L7.....	102	RX-520-02-P125-L7K.....	106	RX-561-BM16.....	99	RX-NB4.5-R320.....	78
RX-511H-01-S100-L7T.....	104	RX-520-02-P125-L10K.....	106	RX-561-BM20.....	99	RX-NB4-R220.....	78
RX-511H-01-S100-L10.....	102	RX-520-02-P125-L10T.....	107	RX-600-16-10.....	98	RX-NB4-R221.....	78
RX-511H-01-S100-L10T.....	104	RX-520-02-S34-L5.....	106	RX-612-35-12.....	83	RX-NB4-R270.....	78
RX-511H-02-P100-L7.....	102	RX-520-02-S34-L7.....	106	RX-612-35-18.....	83	RX-NB4-R271.....	78
RX-511H-02-P100-L7T.....	104	RX-520-02-S34-L10.....	106	RX-612-50-12.....	83	RX-NB4-R320.....	78
RX-511H-02-P100-L10.....	102	RX-520-02-S100-L7.....	106	RX-612-50-18.....	83	RX-NB-5.....	77
RX-511H-02-P100-L10T.....	104	RX-520-02-S100-L10.....	106	RX-620-12-12.....	60	RX-NB5-R220.....	78
RX-511H-02-S100-L7.....	102	RX-520-02-S100-L12T.....	107	RX-620-12-58.....	60	RX-NB5-R221.....	78
RX-511H-02-S100-L7T.....	104	RX-520-02-S113-L7K.....	106	RX-620-58-58.....	60	RX-NB5-R270.....	78
RX-511H-02-S100-L10.....	102	RX-520-02-S113-L10T.....	107	RX-621-12-12.....	59	RX-NB5-R271.....	78
RX-511H-02-S100-L10T.....	104	RX-520-02-S113-L12T.....	107	RX-621-12-58.....	59	RX-NB5-R320.....	78
RX-511H-03-P34-L10T.....	104	RX-520-02-S125-L7K.....	106	RX-621-58-58.....	59	RX-NT-4.....	77
RX-511H-03-P100-L7.....	102	RX-520-02-S125-L10T.....	107	RX-621NK-12-12.....	59	RX-NT-4.5.....	77
RX-511H-03-P100-L7T.....	104	RX-520-02-S125-L12T.....	107	RX-621NK-12-58.....	59	RX-NT4.5-R220.....	79
RX-511H-03-P100-L10.....	102	RX-537-01-P12-L3.....	100	RX-621NK-58-58.....	59	RX-NT4.5-R221.....	79
RX-511H-03-P100-L10T.....	104	RX-537-01-P12-L5.....	100	RX-621NN-12-12.....	59	RX-NT4.5-R270.....	79
RX-511H-03-S100-L7.....	102	RX-537-01-P38-L3.....	100	RX-621NN-12-58.....	59	RX-NT4.5-R271.....	79
RX-511H-03-S100-L7T.....	104	RX-537-01-P38-L5.....	100	RX-621NN-58-58.....	59	RX-NT4.5-R320.....	79
RX-511H-03-S100-L10.....	102	RX-537-01-P58-L3.....	100	RX-621SNK-12-12.....	59	RX-NT4-R220.....	79
RX-511H-03-S100-L10T.....	104	RX-537-01-P58-L5.....	100	RX-621SNK-12-58.....	59	RX-NT4-R221.....	79
RX-511H-04-P100-L7.....	102	RX-537-01-S12-L3.....	100	RX-621SNK-58-58.....	59	RX-NT4-R270.....	79
RX-511H-04-P100-L7T.....	104	RX-537-01-S12-L5.....	100	RX-621SNN-12-12.....	59	RX-NT4-R271.....	79
RX-511H-04-P100-L10.....	102	RX-537-01-S38-L3.....	100	RX-621SNN-12-58.....	59	RX-NT4-R320.....	79
RX-511H-04-S100-L7.....	102	RX-537-01-S58-L3.....	100	RX-621SNN-58-58.....	59	RX-NT-5.....	77
RX-511H-04-S100-L7T.....	104	RX-537-01-S58-L5.....	100	RX-641-K-12.....	27	RX-NT5-R220.....	79
RX-511H-04-S100-L10.....	102	RX-538.....	110	RX-641-K-58.....	27	RX-NT5-R221.....	79
RX-511H-04-S100-L10T.....	104	RX-552-B12.....	98	RX-641-N-12.....	27	RX-NT5-R270.....	79

RX-NT5-R271	79	RX-RH-20-BK-MP51618-15	86	RX-RH-30-BK-MPM10-50	88	RX-SSF-10	1
RX-NT5-R320	79	RX-RH-20-BK-MP51618-20	86	RX-RH-30-BK-MPM12-20	88	RX-SSF-12	1
RX-P2X2BC-20	66	RX-RH-20-BK-MP51618-30	86	RX-RH-30-BK-MPM12-30	88	RX-SSF-20	1
RX-P7GAHD-10	63	RX-RH-20-BK-MP51618-40	86	RX-RH-30-BK-MPM12-40	88	RX-SSFS-10	10
RX-P14BC-20	63	RX-RH-20-BK-MP51618-50	86	RX-RH-30-BK-MPM12-50	88	RX-SSF-SD-8	3
RX-P14TBC-20	64	RX-RH-20-BK-MPM8-15	88	RX-RH-30-BK-MPM12-60	88	RX-SSF-SD-10	3
RX-P18BC-10	64	RX-RH-20-BK-MPM8-20	88	RX-RH-30-BK-MS3816-30	86	RX-SSF-SD-12	3
RX-P18CC-10	65	RX-RH-20-BK-MPM8-30	88	RX-RH-30-BK-MS3816-40	86	RX-SSF-SD-20	3
RX-P38BC-20	64	RX-RH-20-BK-MPM8-40	88	RX-RH-30-BK-MS3816-50	86	RX-SSFS-ULF-10	10
RX-P204-250	64	RX-RH-20-BK-MPM8-50	88	RX-RH-30-BK-MSM10-20	88	RX-SSLTS-1.0X.38-10	61
RX-P316TBC-20	63	RX-RH-20-BK-MS51618-15	86	RX-RH-30-BK-MSM10-30	88	RX-SSM-8	2
RX-P813-10	16	RX-RH-20-BK-MS51618-20	86	RX-RH-30-BK-MSM10-40	88	RX-SSM-10	2
RX-P813F-10	16	RX-RH-20-BK-MS51618-30	86	RX-RH-30-BK-MSM12-30	88	RX-SSM-12	2
RX-P1520BC-20	66	RX-RH-20-BK-MS51618-40	86	RX-RH-30-BK-MSM12-40	88	RX-SSM-20	2
RX-P2510NBC-20	67	RX-RH-20-BK-MS51618-50	86	RX-RH-30-BK-MSM12-50	88	RX-SSMS-10	11
RX-P2520NBC-20	67	RX-RH-20-BK-MSM8-15	88	RX-RH-30-OR-FP1213	87	RX-SSM-SD-8	4
RX-P5010BC-10	66	RX-RH-20-BK-MSM8-20	88	RX-RH-30-OR-FP3816	87	RX-SSM-SD-10	4
RX-P5015BC-20	67	RX-RH-20-BK-MSM8-30	88	RX-RH-30-OR-FP51618	87	RX-SSM-SD-12	4
RX-P58115BC-10	66	RX-RH-20-BK-MSM8-40	88	RX-RH-30-OR-FS1213	87	RX-SSM-SD-20	4
RX-RH-10-BK-FP1032	87	RX-RH-20-BK-MSM8-50	88	RX-RH-30-OR-FS3816	87	RX-SSMS-ULF-10	11
RX-RH-10-BK-FP1420	87	RX-RH-20-OR-FP51618	87	RX-RH-30-OR-FS51618	87	RX-SSR-8	1
RX-RH-10-BK-FPM5	89	RX-RH-20-OR-FSM6	89	RX-RH-30-OR-FSM10	89	RX-SSR-10	1
RX-RH-10-BK-FPM6	89	RX-RH-20-OR-FSM8	89	RX-RH-30-OR-MP1213-30	86	RX-SSR-12	1
RX-RH-10-BK-FS1420	87	RX-RH-20-OR-MP51618-20	86	RX-RH-30-OR-MP3816-30	86	RX-SSR-20	1
RX-RH-10-BK-FSM5	89	RX-RH-20-OR-MP51618-30	86	RX-RH-30-OR-MP3816-40	86	RX-SSRS-10	10
RX-RH-10-BK-FSM6	89	RX-RH-20-OR-MP51618-40	86	RX-RH-30-OR-MP3816-50	86	RX-SSRS-12	10
RX-RH-10-BK-MP1024-20	86	RX-RH-20-OR-MP51618-50	86	RX-RH-30-OR-MS3816-20	86	RX-SSRS-20	10
RX-RH-10-BK-MP1032-15	86	RX-RH-20-OR-MPM8-20	88	RX-RH-30-OR-MS3816-30	86	RX-SSR-SD-8	3
RX-RH-10-BK-MP1032-20	86	RX-RH-20-OR-MPM8-30	88	RX-RH-30-OR-MS3816-40	86	RX-SSR-SD-10	3
RX-RH-10-BK-MP1420-20	86	RX-RH-20-OR-MPM8-40	88	RX-RH-30-OR-MS3816-50	86	RX-SSR-SD-12	3
RX-RH-10-BK-MP1420-25	86	RX-RH-20-OR-MS51618-15	86	RX-RH-30-OR-MSM10-30	88	RX-SSR-SD-20	3
RX-RH-10-BK-MPM5-15	88	RX-RH-20-OR-MS51618-20	86	RX-RH-30-OR-MSM10-50	88	RX-SSRS-SD-10	14
RX-RH-10-BK-MPM5-20	88	RX-RH-20-OR-MS51618-30	86	RX-RH-30-OR-MSM12-50	88	RX-SSRS-SD-12	14
RX-RH-10-BK-MPM6-15	88	RX-RH-20-OR-MS51618-40	86	RX-RH-40-BK-FP1213	87	RX-SSRS-SD-20	14
RX-RH-10-BK-MPM6-20	88	RX-RH-20-OR-MSM8-30	88	RX-RH-40-BK-MP1213-30	86	RX-SSRS-ULF-10	10
RX-RH-10-BK-MPM6-25	88	RX-RH-30-BK-FP1213	87	RX-RH-40-BK-MP1213-40	86	RX-SST-1.00-8	5
RX-RH-10-BK-MPM6-30	88	RX-RH-30-BK-FP3816	87	RX-RH-40-BK-MP1213-50	86	RX-SST-1.00-10	5
RX-RH-10-BK-MS1420-20	86	RX-RH-30-BK-FP51618	87	RX-SB-4	77	RX-SST-1.00-12	5
RX-RH-10-BK-MS1420-25	86	RX-RH-30-BK-FPM8	89	RX-SB-4.5	77	RX-SST-1.00-20	5
RX-RH-10-BK-MSM6-15	88	RX-RH-30-BK-FPM10	89	RX-SB4.5-R220	80	RX-SST-1.00-SD-8	8
RX-RH-10-BK-MSM6-20	88	RX-RH-30-BK-FPM12	89	RX-SB4.5-R221	80	RX-SST-1.00-SD-10	8
RX-RH-10-BK-MSM6-25	88	RX-RH-30-BK-FS1213	87	RX-SB4.5-R270	80	RX-SST-1.00-SD-12	8
RX-RH-10-BK-MSM6-30	88	RX-RH-30-BK-FS3816	87	RX-SB4.5-R271	80	RX-SST-1.00-SD-20	8
RX-RH-10-OR-FS1420	87	RX-RH-30-BK-FS51618	87	RX-SB4.5-R3202	80	RX-SST-1.25-8	6
RX-RH-10-OR-FSM5	89	RX-RH-30-BK-FSM8	89	RX-SB4-R220	80	RX-SST-1.25-10	6
RX-RH-10-OR-MP1420-20	86	RX-RH-30-BK-FSM10	89	RX-SB4-R221	80	RX-SST-1.25-12	6
RX-RH-10-OR-MPM6-15	88	RX-RH-30-BK-MP1213-30	86	RX-SB4-R270	80	RX-SST-1.25-20	6
RX-RH-10-OR-MS1420-25	86	RX-RH-30-BK-MP1213-40	86	RX-SB4-R271	80	RX-SST-1.25-SD-8	8
RX-RH-10-OR-MSM6-30	88	RX-RH-30-BK-MP1213-50	86	RX-SB4-R320	80	RX-SST-1.25-SD-10	8
RX-RH-20-BK-FP1420	87	RX-RH-30-BK-MP3816-20	86	RX-SB-5	77	RX-SST-1.25-SD-12	8
RX-RH-20-BK-FP51618	87	RX-RH-30-BK-MP3816-30	86	RX-SB5-R220	80	RX-SST-1.25-SD-20	8
RX-RH-20-BK-FPM6	89	RX-RH-30-BK-MP3816-40	86	RX-SB5-R221	80	RX-SST-1.60-8	6
RX-RH-20-BK-FPM8	89	RX-RH-30-BK-MP3816-50	86	RX-SB5-R270	80	RX-SST-1.60-10	6
RX-RH-20-BK-FS51618	87	RX-RH-30-BK-MPM10-20	88	RX-SB5-R271	80	RX-SST-1.60-12	6
RX-RH-20-BK-FSM6	89	RX-RH-30-BK-MPM10-30	88	RX-SB5-R320	80	RX-SST-1.60-20	6
RX-RH-20-BK-FSM8	89	RX-RH-30-BK-MPM10-40	88	RX-SSF-8	1	RX-SST-1.60-SD-8	9

RX-SST-1.60-SD-10.....	9	RX-ST5-R271.....	81
RX-SST-1.60-SD-12.....	9	RX-ST5-R320.....	81
RX-SST-1.60-SD-20.....	9	RX-VF-CR4.5-SS-0325-38.....	82
RX-SST-2.25-8.....	7	RX-VF-CR4.5-SS-0400-38.....	82
RX-SST-2.25-10.....	7	RX-VF-CR4.5-SS-0450-38.....	82
RX-SST-2.25-12.....	7	RX-VF-CR4.5-SS-0600-38.....	82
RX-SST-2.25-20.....	7	RX-VF-CR4.5-SS-0750-38.....	82
RX-SST-2.25-SD-8.....	9	RX-VF-CR4-SS-0325-38.....	82
RX-SST-2.25-SD-10.....	9	RX-VF-CR4-SS-0325-516.....	82
RX-SST-2.25-SD-12.....	9	RX-VF-CR4-SS-0400-38.....	82
RX-SST-2.25-SD-20.....	9	RX-VF-CR4-SS-0400-516.....	82
RX-SST-.75-10.....	5	RX-VF-CR4-SS-0450-38.....	82
RX-SST-.75-20.....	5	RX-VF-CR4-SS-0450-516.....	82
RX-SST-.75-SD-10.....	7	RX-VF-CR4-SS-0600-38.....	82
RX-SST-.75-SD-20.....	7	RX-VF-CR4-SS-0600-516.....	82
RX-SSTS-1.00-10.....	12	RX-VF-CR4-SS-0750-38.....	82
RX-SSTS-1.00-ULF-10.....	12	RX-VF-CR4-SS-0750-516.....	82
RX-SSTS-1.25-8.....	13	RX-VF-CR5-SS-0325-38.....	82
RX-SSTS-1.25-10.....	13	RX-VF-CR5-SS-0325-516.....	82
RX-SSTS-1.25-12.....	13	RX-VF-CR5-SS-0400-38.....	82
RX-SSTS-1.25-20.....	13	RX-VF-CR5-SS-0400-516.....	82
RX-SSTS-1.25-SD-8.....	15	RX-VF-CR5-SS-0450-38.....	82
RX-SSTS-1.25-SD-10.....	15	RX-VF-CR5-SS-0450-516.....	82
RX-SSTS-1.25-SD-12.....	15	RX-VF-CR5-SS-0600-38.....	82
RX-SSTS-1.25-SD-20.....	15	RX-VF-CR5-SS-0600-516.....	82
RX-SSTS-1.25-ULF-10.....	13	RX-VF-CR5-SS-0750-38.....	82
RX-SSTS-1.60-10.....	13	RX-VF-CR5-SS-0750-516.....	82
RX-SSTS-1.60-ULF-10.....	13	S0764UL653783U.....	61
RX-SSTS-2.25-10.....	14	S0825UL654513U.....	65
RX-SSTS-2.25-ULF-10.....	14		
RX-SSWF-8.....	2		
RX-SSWF-10.....	2		
RX-SSWF-12.....	2		
RX-SSWF-20.....	2		
RX-SSWFS-10.....	11		
RX-SSWF-SD-8.....	4		
RX-SSWF-SD-10.....	4		
RX-SSWF-SD-12.....	4		
RX-SSWF-SD-20.....	4		
RX-SSWFS-ULF-10.....	11		
RX-ST-4.....	78		
RX-ST-4.5.....	78		
RX-ST4.5-R220.....	81		
RX-ST4.5-R221.....	81		
RX-ST4.5-R270.....	81		
RX-ST4.5-R271.....	81		
RX-ST4.5-R320.....	81		
RX-ST4-R220.....	81		
RX-ST4-R221.....	81		
RX-ST4-R270.....	81		
RX-ST4-R271.....	81		
RX-ST4-R320.....	81		
RX-ST-5.....	78		
RX-ST5-R220.....	81		
RX-ST5-R221.....	81		
RX-ST5-R270.....	81		

## Why Choose Rexnord?

When it comes to providing highly engineered products that improve productivity and efficiency for industrial applications worldwide, Rexnord is the most reliable in the industry. Commitment to customer satisfaction and superior value extend across every business function.

### Delivering Lowest Total Cost of Ownership

The highest quality products are designed to help prevent equipment downtime and increase productivity and dependable operation.

### Valuable Expertise

An extensive product offering is accompanied by global sales specialists, customer service and maintenance support teams, available anytime.

### Solutions to Enhance Ease of Doing Business

Commitment to operational excellence ensures the right products at the right place at the right time.

## Rexnord Company Overview

Rexnord is a growth-oriented, multi-platform industrial company with leading market shares and highly trusted brands that serve a diverse array of global end markets.

## Process & Motion Control

The Rexnord Process & Motion Control platform designs, manufactures, markets and services specified, highly engineered mechanical components used within complex systems where our customers' reliability requirements and the cost of failure or downtime are extremely high.

## Water Management

The Rexnord Water Management platform designs, procures, manufactures and markets products that provide and enhance water quality, safety, flow control and conservation.

***Servitecsa***  
SERVICIOS INDUSTRIALES TECNICOS SOCIEDAD ANONIMA

Tel: +502 2296-4336 / 37

[info@servitecsa.co](mailto:info@servitecsa.co)

[www.servitecsa.co](http://www.servitecsa.co)

14 Avenida A 10-30 Zona 13  
Guatemala, Guatemala